

PARTS BULLETIN

Kubota

Parts Bulletin No. : **SOEM-00-109**

KUBOTA Corporation

Date of Issue : **NOV. 10, 2000**

Head Office: 2-47, Shikitsuhigashi 1-chome,
Naniwa-ku, Osaka, Japan

Parts List Code No. Affected : **97898-04061**

Models Affected : **V1505-BB(EBB)-EC-1 · V1505-BB(EBB)-SAE-EC-1 · V1505-BB(EBB)-EC-STD-3
V1505-BBS(EBBS)-EC-1 · V1505-BB(EBB)-EC-LT-1 · V1505-BB(EBB)-EC-LT-STD-3**

Information concerning parts modifications (changes of parts number and parts shapes, adoption or abolition of parts, etc.) is arranged in units of one page each in the Parts List.

“So the Parts Bulletin can be used more effectively”

- ① When you receive the Parts Bulletin, check the Parts List Code No. and model that appears on the head and file it at the beginning of your Parts List.
- ② Mark the pages of the Parts List affected by the Parts Bulletin with an “X”. [Example-1]
- ③ Be sure to refer to the Parts Bulletin at the beginning of the Parts List concerning parts on pages marked with “X”.

[Example-1]

T005 FLYWHEEL B03-R

A:01503-L-A B:01703-A

| REF. No. | PART No. | PART NAME | Q'TY./S.No. | | I. C. | REMARKS |
|----------|--------------|--------------------|-------------|---|-------|---------|
| | | | A | B | | |
| 010 | 16457-2501-0 | COMP. FLYWHEEL | | | | |
| 020 | 15921-5382-0 | GEAR, RING | | | | |
| 030 | 17394-2516-0 | BOLT, FLYWHEEL | | | | |
| 040 | 35080-1401-0 | HUB, SPLINE " | | | | |
| 050 | 1A040-2010-2 | COMP. HOUSING, F-W | | | | |
| 060 | 05012-01018 | PIN, STRAIGHT | | | | |
| 070 | 31220-1423-0 | PLUG | | | | |
| 080 | 15521-0463-0 | COVER | | | | |
| 090 | 15521-0473-0 | PACKING, COVER | | | | |
| 100 | 01123-60816 | BOLT | | | | |
| 110 | 01073-51030 | BOLT | | | | |
| 120 | 04512-60100 | WASHER, SPRING | | | | |
| 130 | 01073-51240 | BOLT | | | | |
| 140 | 04512-50120 | WASHER, SPRING | | | | |

- ④ In the Parts Bulletin, modified parts are marked with a “#” symbol preceding the REMARKS of the list. [Example-2-④]
- ⑤ The part with a “#” symbol preceding the REF. No. of the illustration has been revised in its shape in the Parts Bulletin, because the Parts List shows incorrect shape in it. [Example-2-⑤]
- ⑥ Additional pages are marked with branch numbers (1, 2, and so on) on the right of “R” or “L” of the location number. [Example-2-⑥]
- ⑦ The date the revision is issued is recorded below the Location No. in the Parts Bulletin. [Example-2-⑦]

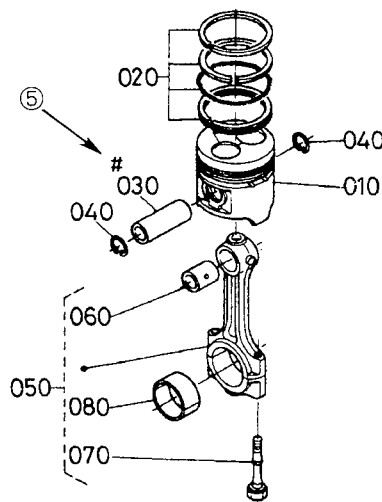
[Example-2]

0102 PISTON AND CRANKSHAFT

⑥
↓
B01-L1

REV. SEPT. 15 '95

↑
⑦



④
↓
A:XXXX, B:XXXX

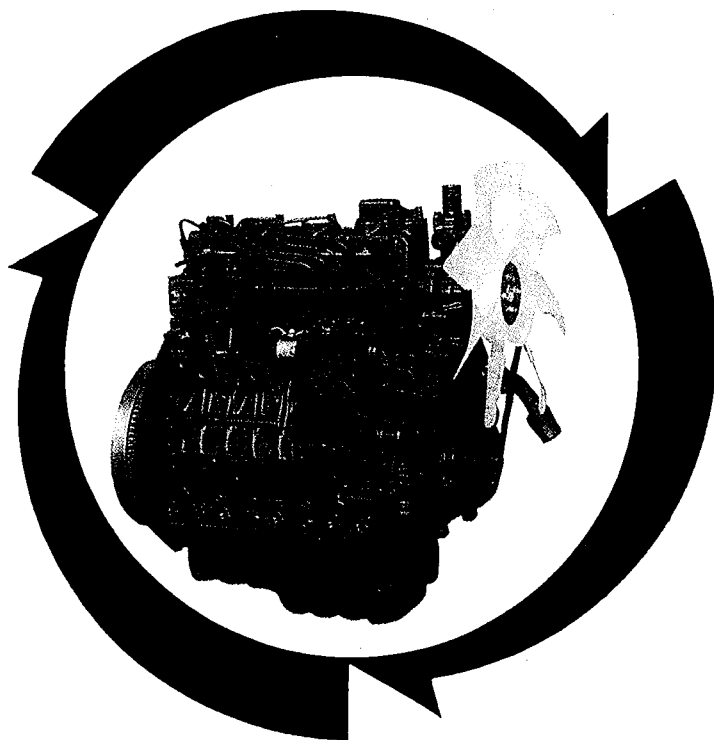
| REF.No. | PART No. | PART NAME | Q' TY/S. No. | | I. C. | REMARKS |
|---------|--------------|------------------|--------------|-------------|-------|---------|
| | | | A | B | | |
| 010 | 15800-0000-0 | PISTON | 5 ~15000 | 3 ~15000 | □ | # |
| 010 | 15800-0000-2 | PISTON | 5 15001~ | 3 15001~ | □ | # |
| 020 | 15800-2000-0 | ASSY PISTON RING | 5 ~15000 | 3 ~15000 | □ | # |
| 020 | 15830-2000-0 | ASSY PISTON RING | 5 15001~ | 3 15001~ | □ | # |
| 030 | 15800-1000-0 | PIN, PISTON | 5 | 3 | | |
| 040 | 15800-3000-0 | CLIP, PISTON | 6 | 6 | | |
| 050 | 15800-4000-0 | ASSY CONNECTING | 5 | 3 | | |

**ILLUSTRATED PARTS LIST
LISTE DES PIECES
STÜCK LISTE**

KUBOTA

**MODEL V1505-BB(EBB)-EC-1 · V1505-BB(EBB)-SAE-EC-1
MODELE V1505-BB(EBB)-EC-STD-3 · V1505-BBS(EBBS)-EC-1
MODELL V1505-BB(EBB)-EC-LT-1 · V1505-BB(EBB)-EC-LT-STD-3**

**DIESEL ENGINE
MOTEUR DIESEL
DIESEL MOTOREN**



EUROPE

Kubota

97898-04061
APR.
AVRIL 1998
APRIL

NOTICE

This Parts List is for the following purposes.

1. When ordering parts, check with this Parts List to confirm the part number and the name of parts.
2. When making repairs, refer to the illustrations in this Parts List.
3. This Parts List is subject to change without notice.

NOTE

Utilisation de ce livre

1. A la commande d'une pièce, chercher la référence et le nom de la pièce.
2. Pour les réparations, employez les illustrations.
3. La liste des pièces peut-être modifié sans préavis.

ACHTUNG

Die vorliegende Stückliste ist zur Verwendung der folgenden Fälle aufzubewahren:

1. Bei Bestellung der Teile anhand dieser Liste die Kennzahl und die Bezeichnung der Teile feststellen.
2. Bei Reparatur auf die Figur in der Stückliste Bezug nehmen.
3. Änderungen dieser Bestandteilliste vorbehalten.

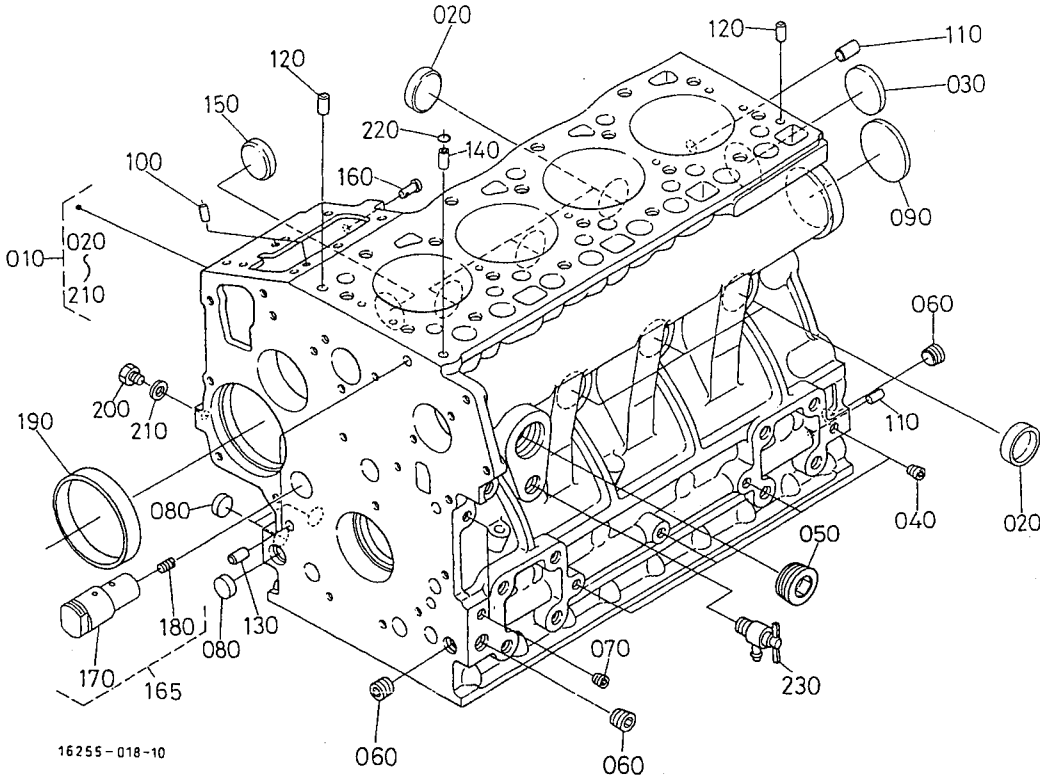
| MODEL MODELE MODELL | CODE No. No. DE CODE CODE-Nr. |
|---------------------------|-------------------------------------|
| V1505-BB-EC-1 | 16285-11000 |
| V1505-EBB-EC-1 | 1G665-11000 |
| V1505-BB-SAE-EC-1 | 16285-12000 |
| V1505-EBB-SAE-EC-1 | 1G665-13000 |
| V1505-BB-EC-STD-3 | 16285-13000 |
| V1505-EBB-EC-STD-3 | 1G665-12000 |
| V1505-BBS-EC-1 | 16286-11000 |
| V1505-EBBS-EC-1 | 1G665-00000 |
| V1505-BB-EC-LT-1 | 16285-21000 |
| V1505-EBB-EC-LT-1 | 1G665-21000 |
| V1505-BB-EC-LT-STD-3 | 16285-23000 |
| V1505-EBB-EC-LT-STD-3 | 1G665-22000 |

0001

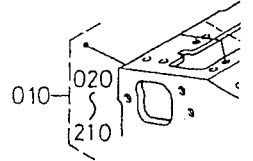
CRANKCASE
BLOC MOTEUR
KURBELGEHAEUSE

B01-L

REV.NOV.10 '00



010 17558-0101-2



16255-018-10

16285-807-10

A:V1505-BB(EBB)-EC-1 B:V1505-BB(EBB)-SAE-EC-1 C:V1505-BB(EBB)-EC-STD-3 D:V1505-BBS(EBBS)-EC-1

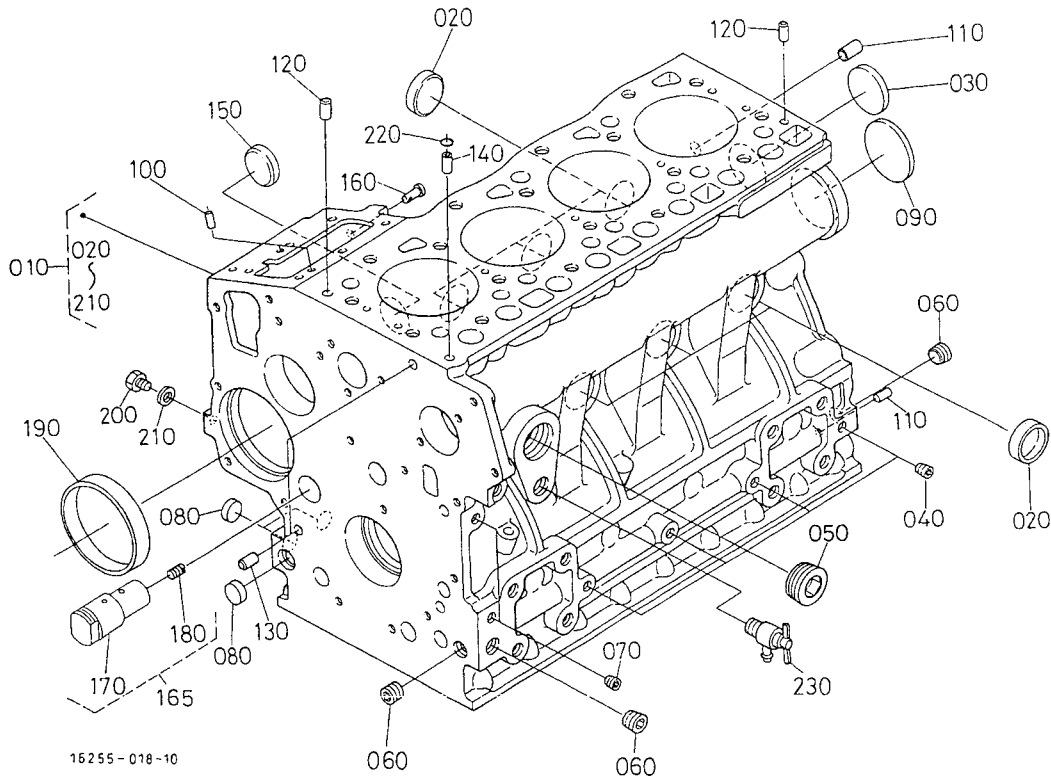
| REF. No. POS. No. BLD-Nr. | PART No. REFERENCE BESTELL-Nr. | PART NAME | DESIGNATION | BEZEICHNUNG | Q'TY/S. No. Q' TE/No. S. STUECK/S. Nr. | | | | I.C. | REMARKS REMARQUES BEMERKUNGEN |
|---------------------------------|--------------------------------------|---------------------|-----------------------|-----------------------|--|---------|---------|---------|------|-------------------------------------|
| | | | | | A | B | C | D | | |
| 010 | 17558-0101-0 | COMP. CRANKCASE | BLOC MOTEUR COMPLET | KOMP. KURBELGEHAEUSE | ~741870 | ~741870 | ~741870 | ~741870 | | |
| 010 | 17558-0101-0 | COMP. CRANKCASE | BLOC MOTEUR COMPLET | KOMP. KURBELGEHAEUSE | 10001~ | 10001~ | 10001~ | 10001~ | | |
| 010 | 17558-0101-0 | COMP. CRANKCASE | BLOC MOTEUR COMPLET | KOMP. KURBELGEHAEUSE | ~116859 | ~116859 | ~116859 | ~116859 | | |
| 010 | 17558-0101-2 | COMP. CRANKCASE | BLOC MOTEUR COMPLET | KOMP. KURBELGEHAEUSE | 116860~ | 116860~ | 116860~ | 116860~ | | |
| 010 | 17558-0101-3 | COMP. CRANKCASE | BLOC MOTEUR COMPLET | KOMP. KURBELGEHAEUSE | YE0001~ | YE0001~ | YE0001~ | YE0001~ | | # |
| 020 | 15451-9627-0 | CAP, SEALING | PASTILLE | STEPSSEL, ABDICHTU | 6 | 6 | 6 | 6 | | |
| 030 | 15221-0349-0 | CAP, SEALING | PASTILLE | STEPSSEL, ABDICHTU | 1 | 1 | 1 | 1 | | |
| 040 | 15261-9601-0 | PLUG | BOUCHON | STOPFEN | 4 | 4 | 4 | 4 | | |
| 050 | 16271-9602-2 | PLUG | BOUCHON | STOPFEN | 1 | 1 | 1 | 1 | | |
| 050 | 16683-9602-0 | PLUG | BOUCHON | STOPFEN | ~527074 | ~527074 | ~527074 | ~527074 | | |
| 060 | 16241-9601-0 | PLUG | BOUCHON | STOPFEN | 527075 | 527075 | 527075 | 527075 | | |
| 070 | 15521-9602-0 | PLUG | BOUCHON | STOPFEN | 3 | 3 | 3 | 3 | | |
| 080 | 06311-75018 | PLUG, EXPANSION | BOUCHON EXPANSIBLE | STOEPSSEL, AUSDEHNUNG | ~308554 | ~308554 | ~308554 | ~308554 | | |
| 080 | 17391-9616-0 | PLUG, EXPANSION | BOUCHON EXPANSIBLE | STOEPSSEL, AUSDEHNUNG | 308555 | 308555 | 308555 | 308555 | | |
| 090 | 16271-9616-0 | PLUG, EXPANSION | BOUCHON EXPANSIBLE | STOEPSSEL, AUSDEHNUNG | 1 | 1 | 1 | 1 | | |
| 100 | 05012-00508 | PIN, STRAIGHT | GOUPILLE CYLINDRIQUE | ZYLINDERSTIFT | ~WT267B | ~WT267B | ~WT267B | ~WT267B | | # |
| 100 | 16225-9451-0 | PIN, STRAIGHT | GOUPILLE CYLINDRIQUE | ZYLINDERSTIFT | WU0001 | WU0001 | WU0001 | WU0001 | | # |
| 110 | 05012-00814 | PIN, STRAIGHT | GOUPILLE CYLINDRIQUE | ZYLINDERSTIFT | ~WT267B | ~WT267B | ~WT267B | ~WT267B | | # |
| 110 | 16221-9453-0 | PIN, STRAIGHT | GOUPILLE CYLINDRIQUE | ZYLINDERSTIFT | WU0001 | WU0001 | WU0001 | WU0001 | | # |
| 120 | 05012-00610 | PIN, STRAIGHT | GOUPILLE CYLINDRIQUE | ZYLINDERSTIFT | ~WT267B | ~WT267B | ~WT267B | ~WT267B | | # |
| 120 | 16221-9452-0 | PIN, STRAIGHT | GOUPILLE CYLINDRIQUE | ZYLINDERSTIFT | WU0001 | WU0001 | WU0001 | WU0001 | | # |
| 130 | 15231-3396-0 | PIN, PIPE | GICLEUR | ROHRSTIFT | 2 | 2 | 2 | 2 | | |
| 140 | 16241-3365-0 | PIN, PIPE | GICLEUR | ROHRSTIFT | 1 | 1 | 1 | 1 | | |
| 150 | 16241-9626-0 | PLUG | BOUCHON | STOPFEN | ~49889 | ~49889 | ~49889 | ~49889 | | |
| 150 | 16241-9626-2 | PLUG, FUEL CAMSHAFT | BOUCHON | STOPFEN | 49890 | 49890 | 49890 | 49890 | | |
| 160 | 15221-5628-0 | PIN, START SPRING | GOUPILLE DU RESSORT | STARTFEDERSTIFT | ~WT267B | ~WT267B | ~WT267B | ~WT267B | | # |
| 160 | 16221-5628-0 | PIN, START SPRING | GOUPILLE DU RESSORT | STARTFEDERSTIFT | WU0001 | WU0001 | WU0001 | WU0001 | | # |
| 165 | 16241-2406-0 | COMP SHAFT, IDLE | COMP. ARBRE D'INTERM. | KOMP. FREILAUFWELLE | 1 | 1 | 1 | 1 | | # |
| 170 | 16241-2426-0 | SHAFT, IDLE GEAR | ARBRE DE PIGNON FOU | WELLE, FREILAUFGETR. | 1 | 1 | 1 | 1 | | |
| 180 | 15521-9361-0 | SCREW, SET | VIS D'ARRET | ANSCHLAGSCHRAUBE | 1 | 1 | 1 | 1 | | |

0001

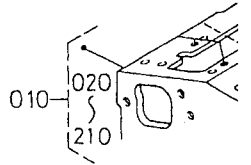
CRANKCASE
BLOC MOTEUR
KURBELGEHAEUSE

B01-L1

REV. NOV. 10 '00



010 17558-0101-2



16255-018-10

16285-807-10

A: V1505-BB(EBB)-EC-1 B: V1505-BB(EBB)-SAE-EC-1 C: V1505-BB(EBB)-EC-STD-3 D: V1505-BBS(EBBS)-EC-1

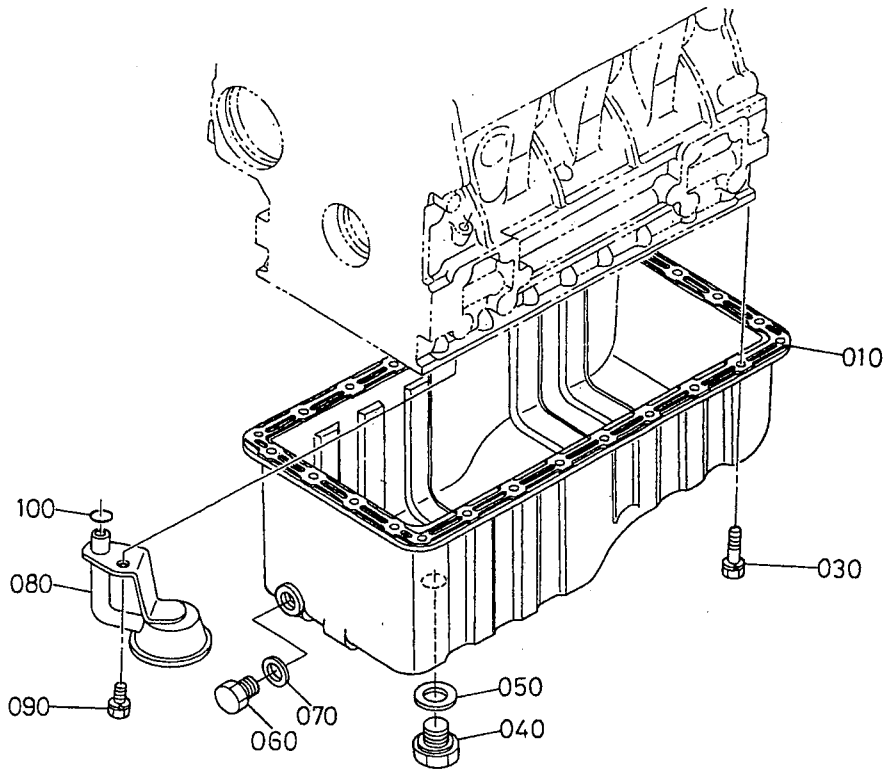
| REF. No. POS. No. BLD. No. | PART No. REFERENCE BESTELL-Nr. | PART NAME | DESIGNATION | BEZEICHNUNG | Q' TY/S. No. Q' TE/No. S. STUECK/S. Nr. | | | | I.C. | REMARKS REMARQUES BEMERKUNGEN |
|----------------------------------|--------------------------------------|---------------------|----------------------|-----------------|---|---|---|---|------|-------------------------------------|
| | | | | | A | B | C | D | | |
| 190 | 16271-5535-0 | BUSH, GOVERNOR GEAR | BAGUE DE REG. PIGNON | BUCHSE | 1 | 1 | 1 | 1 | | |
| 200 | 15221-3361-0 | PLUG | BOUCHON | STOPFEN | 1 | 1 | 1 | 1 | | |
| 210 | 15021-3366-0 | GASKET | JOINT | DICHTUNGSPLETTE | 1 | 1 | 1 | 1 | | |
| 220 | 15221-3370-0 | O RING | JOINT TORIQUE | O RING | 1 | 1 | 1 | 1 | | |
| 230 | 15841-7302-0 | ASSY COCK, DRAIN | ENS. ROBINET VIDANGE | GRP. ABLASSHAHN | 1 | 1 | 1 | 1 | | |
| | | | | | | | | | | |
| | | | | | | | | | | |
| | | | | | | | | | | |
| | | | | | | | | | | |
| | | | | | | | | | | |
| | | | | | | | | | | |
| | | | | | | | | | | |
| | | | | | | | | | | |
| | | | | | | | | | | |
| | | | | | | | | | | |
| | | | | | | | | | | |
| | | | | | | | | | | |
| | | | | | | | | | | |
| | | | | | | | | | | |
| | | | | | | | | | | |
| | | | | | | | | | | |
| | | | | | | | | | | |
| | | | | | | | | | | |
| | | | | | | | | | | |
| | | | | | | | | | | |
| | | | | | | | | | | |

0002

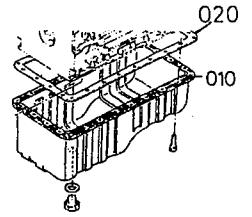
OIL PAN
CARTER D' HUILE
OELWANNE

B01-R

REV.NOV.10 '00



010 16285-0150-0
020 16299-0162-0



16615-001-11

16255-800-10

A:V1505-BB(EBB)-EC-1 B:V1505-BB(EBB)-SAE-EC-1 C:V1505-BB(EBB)-EC-STD-3 D:V1505-BBS(EBBS)-EC-1

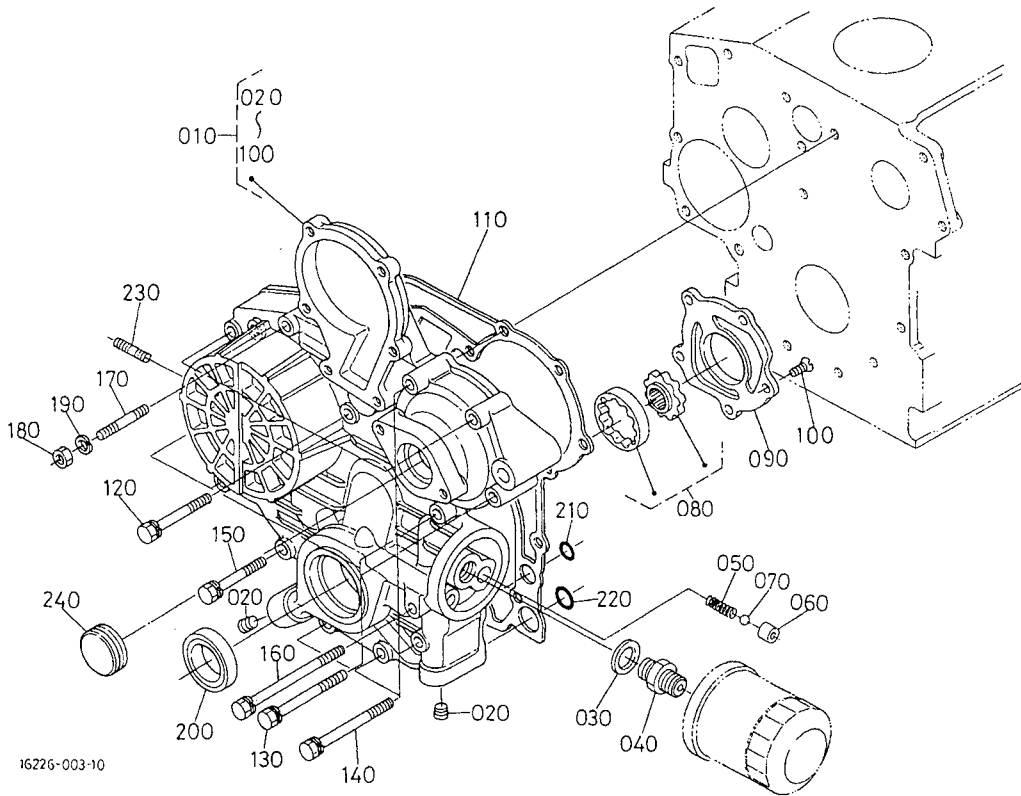
| REF. No. POS. No. BILD-Nr. | PART No. REFERENCE BESTELL-Nr. | PART NAME | DESIGNATION | BEZEICHNUNG | Q' TY/S. No. Q' TE/No. S. STUECK/S. Nr. | | | | I.C. | REMARKS REMARQUES BEMERKUNGEN |
|----------------------------------|--------------------------------------|-----------------|-----------------------|-----------------------|---|---------|---------|---------|------|-------------------------------------|
| | | | | | A | B | C | D | | |
| 010 | 16285-0150-0 | COMP. OIL PAN | CARTER D' HUILE COMP. | KOMP. OELWANNE | ~468068 | ~468068 | ~468068 | ~468068 | | |
| 010 | 16616-0150-0 | COMP. OIL PAN | CARTER D' HUILE COMP. | KOMP. OELWANNE | 468069 | 468069 | 468069 | 468069 | | |
| 020 | 16299-0162-0 | GASKET, OIL PAN | JOINT | DICHTUNG, OEL FAENGER | ~542028 | ~542028 | ~542028 | ~542028 | | |
| 030 | 01023-50612 | BOLT | VIS | BOLZEN | 26 | 26 | 26 | 26 | | |
| 040 | 15451-3375-4 | PLUG, DRAIN | BOUCHON DE VIDANGE | ENTLEERUNGSSTOPFEN | ~635503 | ~635503 | ~635503 | ~635503 | | |
| 040 | 15707-3375-0 | PLUG, DRAIN | BOUCHON DE VIDANGE | ENTLEERUNGSSTOPFEN | 635504 | 635504 | 635504 | 635504 | | |
| 050 | 15451-9667-0 | GASKET | JOINT | DICHTUNGSPLATTE | 1 | 1 | 1 | 1 | | |
| 060 | 15221-3375-0 | PLUG | BOUCHON | STOPFEN | 468069 | 468069 | 468069 | 468069 | | |
| 070 | 15109-3366-0 | GASKET | JOINT | DICHTUNGSPLATTE | 468069 | 468069 | 468069 | 468069 | | |
| 070 | 6C090-5896-0 | GASKET | JOINT | DICHTUNGSPLATTE | W00001 | W00001 | W00001 | W00001 | | # |
| 080 | 16241-3211-4 | FILTER, OIL | FILTRE D' HUILE | OELFILTER | ~XG7689 | ~XG7689 | ~XG7689 | ~XG7689 | | # |
| 080 | 16226-3211-0 | FILTER, OIL | FILTRE D' HUILE | OELFILTER | XJ0001 | XJ0001 | XJ0001 | XJ0001 | | # |
| 090 | 01123-50816 | BOLT | VIS | BOLZEN | 1 | 1 | 1 | 1 | | |
| 100 | 04811-00160 | O RING | JOINT TORIQUE | O RING | ~WH4333 | ~WH4333 | ~WH4333 | ~WH4333 | | # |
| 100 | 04814-00160 | O RING | JOINT TORIQUE | O RING | WJ0001 | WJ0001 | WJ0001 | WJ0001 | | # |

0004

GEAR CASE
CARTER DE DISTRIBUTION
GETRIEBEGEHAEUSE

B02-R

REV. NOV. 10 '00



240 16285-8334-0
250 16299-8813-0
260 01023-50616

16226-003-10

16255-801-10

A:V1505-BB(EBB)-EC-1 B:V1505-BB(EBB)-SAE-EC-1 C:V1505-BB(EBB)-EC-STD-3 D:V1505-BBS(EBBS)-EC-1

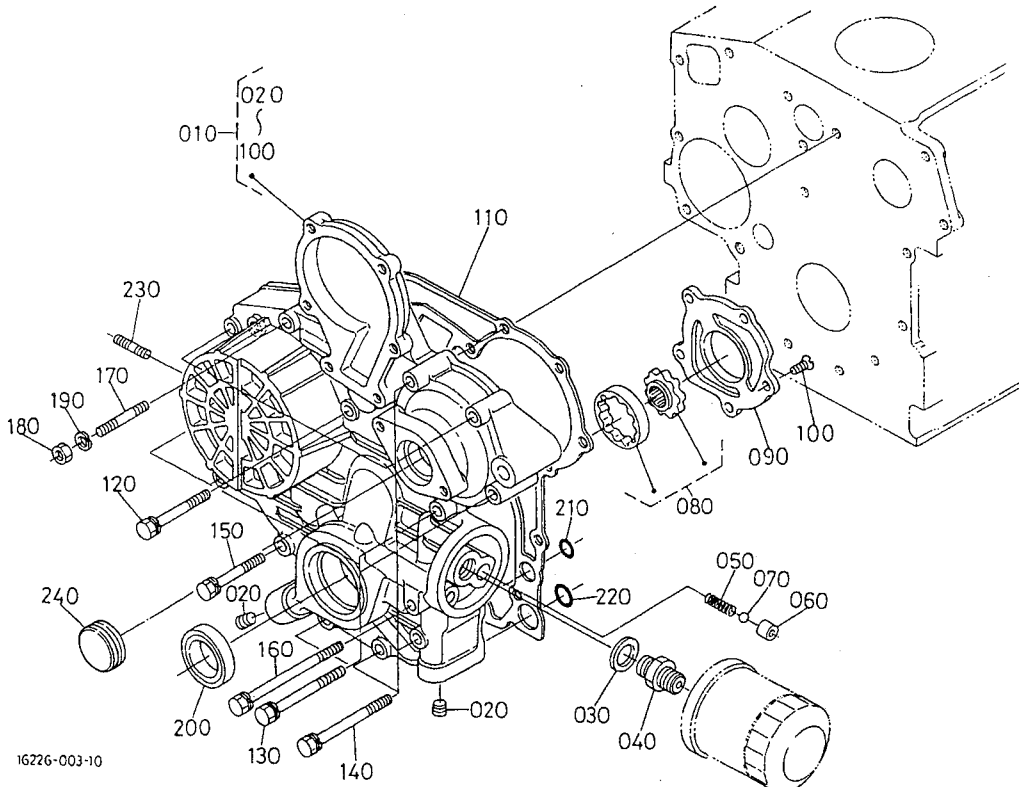
| REF No POS No BILD-Nr | PART No. REFERENCE BESTELL-Nr. | PART NAME | DESIGNATION | BEZEICHNUNG | Q' TY/S. No. Q' TE/No. S. STUECK/S. Nr. | | | | I.C. | REMARKS REMARQUES BEMERKUNGEN |
|-----------------------------|--------------------------------------|----------------------|----------------------|-----------------------|---|--------------|--------------|--------------|------|-------------------------------------|
| | | | | | A | B | C | D | | |
| 010 | 16271-0402-0 | COMP. CASE, GEAR | CARTER DISTR. COMP. | KMP. GETRIEBEGEHAEUSE | 1 | 1 | 1 | 1 | | |
| 020 | 16241-9602-0 | PLUG | BOUCHON | STOPFEN | 2 | 2 | 2 | 2 | | |
| 030 | 04011-50180 | WASHER, PLAIN | RONDELLE FREIN | SCHEIBE | 1 | 1 | 1 | 1 | | |
| 040 | 15241-3229-0 | JOINT, PIPE | RACCORD DE TUYAU | VERBINDUNGSSTUECK | 1 | 1 | 1 | 1 | | |
| 050 | 16241-3695-0 | SPRING | RESSORT | FEDER | 1 | 1 | 1 | 1 | | |
| 060 | 16241-3693-0 | SEAT, VALVE | SIEGE DE SOUPE | SITZ, VENTIL | 1 | 1 | 1 | 1 | | |
| 070 | 07715-00201 | BALL | BILLE | KUGEL | 1 | 1 | 1 | 1 | | |
| 080 | 16241-3507-0 | ASSY ROTOR, OIL PUMP | ROTOR DE POMPE HUILE | OLFORDERPUMPE LAUFER | 1 | 1 | 1 | 1 | | |
| 090 | 16241-3513-0 | COVER, OIL PUMP | COUV. POMPE A HUILE | OELPUMPEDECKEL | 1 | 1 | 1 | 1 | | |
| 100 | 16241-9312-0 | SCREW, CSK-HD | VIS | SCHRAUBE | 5 | 5 | 5 | 5 | | |
| 110 | 16264-0413-0 | GASKET, GEAR CASE | JOINT | DICHTUNGGETRIEBEGEH. | 1 | 1 | 1 | 1 | | |
| 120 | 01023-50645 | BOLT | VIS | BOLZEN | 3 | 3 | 3 | 3 | | |
| 130 | 01023-60650 | BOLT | VIS | BOLZEN | 6 | 6 | 6 | 6 | | |
| 140 | 01023-50655 | BOLT | VIS | BOLZEN | 2 | 2 | 2 | 2 | | |
| 150 | 15841-9104-0 | BOLT | VIS | BOLZEN | 1 | 1 | 1 | 1 | | |
| 160 | 16241-9104-0 | BOLT | VIS | BOLZEN | 1 | 1 | 1 | 1 | | |
| 170 | 01513-50645 | BOLT, STUD | GOUJON PRISONNIER | STEBBOLZEN | 1 ~WH4333 | 1 ~WH4333 | 1 ~WH4333 | 1 ~WH4333 | | # |
| 170 | 16245-9153-0 | STUD | GOUJON | STEBBOLZEN | 1 WJ0001 | 1 WJ0001 | 1 WJ0001 | 1 WJ0001 | | # |
| 180 | 02056-50060 | NUT | ECROU | MUTTER | 1 | 1 | 1 | 1 | | |
| 190 | 04512-50060 | WASHER, SPRING | RONDELLE GROWER | FEDERRING | 1 | 1 | 1 | 1 | | |
| 200 | 16241-0421-2 | SEAL, OIL | BAGUE JOINT | OELDICHTUNGSRING | 1 | 1 | 1 | 1 | | |
| 210 | 04811-06100 | O RING | JOINT TORIQUE | O RING | 2 ~WH4333 | 2 ~WH4333 | 2 ~WH4333 | 2 ~WH4333 | | # |
| 210 | 04814-06100 | O RING | JOINT TORIQUE | O RING | 2 WJ0001 | 2 WJ0001 | 2 WJ0001 | 2 WJ0001 | | # |
| 220 | 04811-00150 | O RING | JOINT TORIQUE | O RING | 2 ~WH4333 | 2 ~WH4333 | 2 ~WH4333 | 2 ~WH4333 | | # |
| 220 | 04814-00150 | O RING | JOINT TORIQUE | O RING | 2 WJ0001 | 2 WJ0001 | 2 WJ0001 | 2 WJ0001 | | # |
| 230 | 16245-9154-0 | STUD | GOUJON | STEBBOLZEN | 2 | 2 | 2 | 2 | | |

0004

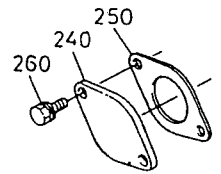
GEAR CASE
CARTER DE DISTRIBUTION
GETRIEBEGEHAUSE

B03-L

REV.NOV.10 '00



240 16285-8334-0
250 16299-8813-0
260 01023-50616



16226-003-10

16255-801-10

A:V1505-BB(EBB)-EC-1 B:V1505-BB(EBB)-SAE-EC-1 C:V1505-BB(EBB)-EC-STD-3 D:V1505-BBS(EBBS)-EC-1

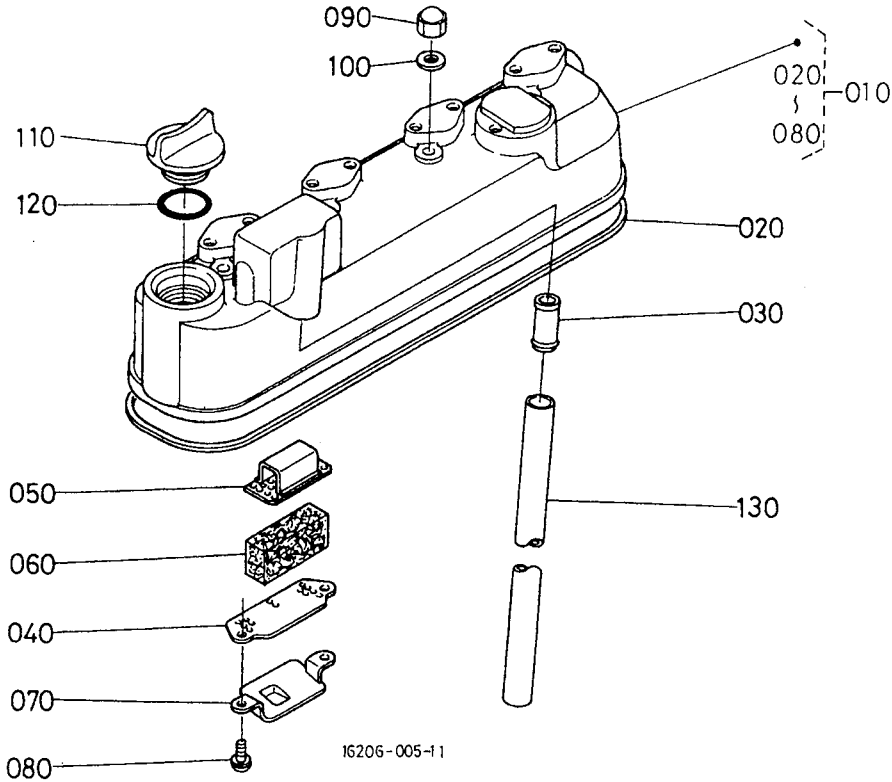
| REF.No POS.No BILD-Nr | PART No. REFERENCE BESTELL-Nr. | PART NAME | DESIGNATION | BEZEICHNUNG | Q'TY/S. No. Q' TE/No. S. STUECK/S. Nr. | | | | I.C. | REMARKS REMARQUES BEMERKUNGEN |
|-----------------------------|--------------------------------------|----------------------|----------------------|-----------------------|--|---------|---------|---------|------|-------------------------------------|
| | | | | | A | B | C | D | | |
| 240 | 16285-8334-0 | COVER | COUVERCLE | DECKEL | ~475253 | ~475253 | ~475253 | ~475253 | | |
| 240 | 16264-8334-0 | COVER, GEAR CASE | COUV. CARTER DISTRIB | DECKEL, GETRIEGEHAUS | 475254 | 475254 | 475254 | 475254 | | |
| 240 | 16264-8334-0 | COVER, GEAR CASE | COUV. CARTER DISTRIB | DECKEL, GETRIEGEHAUS | ~741870 | ~741870 | ~741870 | ~741870 | | |
| 240 | 16264-8334-0 | COVER, GEAR CASE | COUV. CARTER DISTRIB | DECKEL, GETRIEGEHAUS | 10001~ | 10001~ | 10001~ | 10001~ | | |
| 240 | 16264-8334-2 | COVER, GEAR CASE | COUV. CARTER DISTRIB | DECKEL, GETRIEGEHAUS | 15686~ | 15686~ | 15686~ | 15686~ | | |
| 250 | 16264-8813-0 | GASKET, H/METER UNIT | JOINT | DICHTUNG, STUNDENMESS | ~475253 | ~475253 | ~475253 | ~475253 | | |
| 260 | 01023-50616 | BOLT | VIS | BOLZEN | ~475253 | ~475253 | ~475253 | ~475253 | | |
| | | | | | | | | | | |
| | | | | | | | | | | |
| | | | | | | | | | | |
| | | | | | | | | | | |
| | | | | | | | | | | |
| | | | | | | | | | | |
| | | | | | | | | | | |
| | | | | | | | | | | |
| | | | | | | | | | | |
| | | | | | | | | | | |
| | | | | | | | | | | |
| | | | | | | | | | | |
| | | | | | | | | | | |
| | | | | | | | | | | |
| | | | | | | | | | | |

0005

HEAD COVER
COUVRE-CULASSE
ZYLINDERKOPF-DECKEL

B03-R

REV.NOV.10 '00



A:V1505-BB(EBB)-EC-1 B:V1505-BB(EBB)-SAE-EC-1 C:V1505-BB(EBB)-EC-STD-3 D:V1505-BBS(EBBS)-EC-1

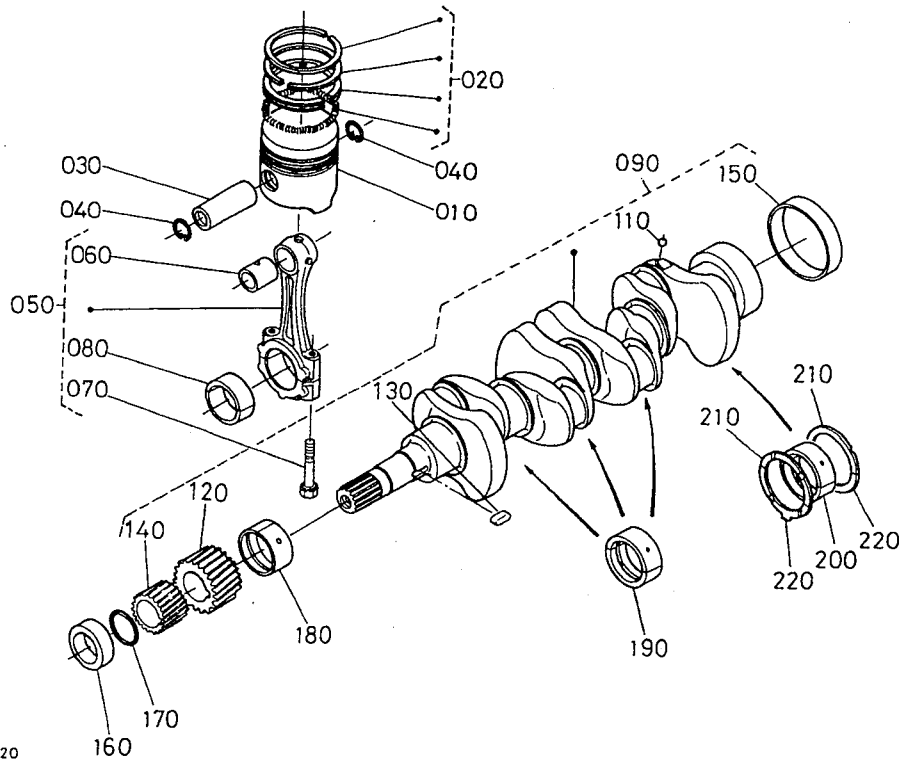
| REF. No. POS. No. BILD-Nr. | PART No. REFERENCE BESTELL-Nr. | PART NAME | DESIGNATION | BEZEICHNUNG | Q' TY/S. No. Q' TE/No. S. STUECK/S. Nr. | | | | I.C. | REMARKS REMARQUES BEMERKUNGEN |
|----------------------------------|--------------------------------------|-----------------------|----------------------|-----------------------|---|--------------|--------------|--------------|------|-------------------------------------|
| | | | | | A | B | C | D | | |
| 010 | 16241-1450-0 | ASSY COVER, CYL. HEAD | ENS. COUVERCLE | ZYLINDERKOPFHAUBE | 1 | 1 | 1 | 1 | | |
| 020 | 16241-1452-0 | GASKET, HEAD COVER | JOINT COUVRE-CULASSE | DICHTUNG, KOPFDECKEL | 1 | 1 | 1 | 1 | | |
| 030 | 16241-0555-0 | JOINT, BREATHER PIPE | RACCORD D'ASPI-TUYAU | ANSCHLUSSTEIL | 1 | 1 | 1 | 1 | | |
| 040 | 16241-0514-0 | PLATE, B/THER ELEMENT | PLAQUE DELEMENT | PLATTE, ELEMENT | 1 | 1 | 1 | 1 | | |
| 050 | 16241-0515-0 | PLATE, B/THER ELEMENT | PLAQUE DELEMENT | PLATTE, ELEMENT | 1 | 1 | 1 | 1 | | |
| 060 | 16241-0567-0 | ELEMENT, BREATHER | TAMIS DU RENIFLARD | ENTLUEFTUNGSELEMENT | 1 | 1 | 1 | 1 | | |
| 070 | 16241-0537-0 | OIL SHIELD, BREATHER | BOUCLIER, HUILE | OELSCHILD, ENTLUEFTER | 1 | 1 | 1 | 1 | | |
| 080 | 03024-50510 | SCREW, WITH WASHER | VIS | SCHRAUBE | 2 | 2 | 2 | 2 | | |
| 090 | 15952-9233-0 | NUT | ECROU | MUTTER | 4 | 4 | 4 | 4 | | |
| 100 | 15951-9666-0 | GASKET | JOINT | DICHTUNGSPLATTE | 4 | 4 | 4 | 4 | | |
| 110 | 15221-3314-0 | PLUG, OIL FILLER | BOUCHON, REPLIS. H/L | OELINFUELLSSTOPFEN | 1 ~WH4333 | 1 ~WH4333 | 1 ~WH4333 | 1 ~WH4333 | | # |
| 110 | 15852-3314-0 | PLUG, OIL FILLER | BOUCHON, REPLIS. H/L | OELINFUELLSSTOPFEN | 1 WJ0001 | 1 WJ0001 | 1 WJ0001 | 1 WJ0001 | | # |
| 120 | 04811-50300 | O RING | JOINT TORIQUE | O RING | 1 ~WH4333 | 1 ~WH4333 | 1 ~WH4333 | 1 ~WH4333 | | # |
| 120 | 04814-50300 | O RING | JOINT TORIQUE | O RING | 1 WJ0001 | 1 WJ0001 | 1 WJ0001 | 1 WJ0001 | | # |
| 130 | 16241-0551-0 | PIPE, BREATHER | TUYAU DE REINFLARD | ENTLUEFTUNGSROHR | 1 | 1 | 1 | 1 | | |

0102

PISTON AND CRANKSHAFT
PISTON ET VILEBREQUIN
KOLBEN UND KURBELWELLE

B06-L

REV.NOV.10 '00



17208-001-20

A:V1505-BB(EBB)-EC-1 B:V1505-BB(EBB)-SAE-EC-1 C:V1505-BB(EBB)-EC-STD-3 D:V1505-BBS(EBBS)-EC-1

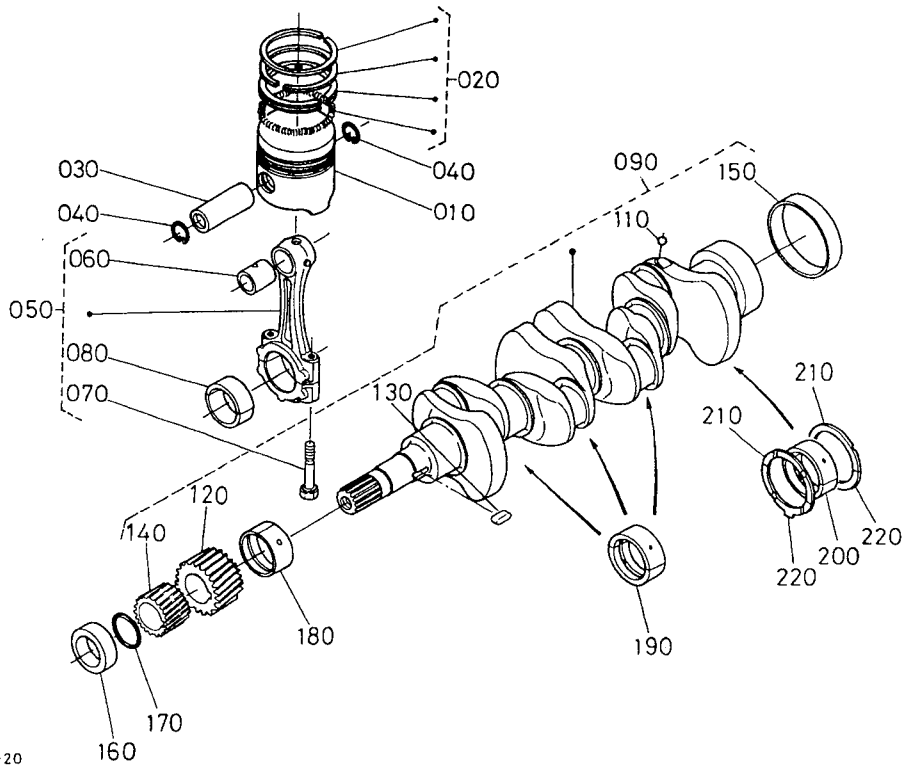
| REF No POS No BILD-Nr | PART No. REFERENCE BESTELL-Nr. | PART NAME | DESIGNATION | BEZEICHNUNG | Q' TY/S. No. Q' TE/No. S. STUECK/S. Nr. | | | | I.C. | REMARKS REMARQUES BEMERKUNGEN |
|-----------------------------|--------------------------------------|----------------------|-----------------------|---------------------|---|---------|---------|---------|------|-------------------------------------|
| | | | | | A | B | C | D | | |
| 010 | 16060-2111-0 | PISTON | PISTON | KOLBEN | 4 | 4 | 4 | 4 | | STD |
| 010 | 16060-2191-0 | PISTON | PISTON | KOLBEN | 4 | 4 | 4 | 4 | | +0.5mm |
| 020 | 16261-2105-0 | ASSY PISTON RING | ENS. SEGMENT | GRP. KOLBENRING | 4 | 4 | 4 | 4 | | STD |
| 020 | 16261-2109-0 | ASSY PISTON RING | ENS. SEGMENT | GRP. KOLBENRING | 4 | 4 | 4 | 4 | | +0.5mm |
| 030 | 16241-2131-0 | PIN, PISTON | AXE DE PISTON | KOLBENBOLZEN | 4 | 4 | 4 | 4 | | |
| 040 | 16241-2133-0 | CIR CLIP, PISTON PIN | CIRCLIP | SEEGERING | 8 | 8 | 8 | 8 | | |
| 050 | 16241-2201-2 | ASSY ROD, CONNECTING | ENS. BIELLE | TRIEBSTANGE KOMP | 4 | 4 | 4 | 4 | | |
| 060 | 16241-2198-0 | BUSH, PISTON PIN | BAGUE DE BIELLE | BUCHSE, KOLBENSTIFT | 4 | 4 | 4 | 4 | | |
| 070 | 16241-2214-0 | BOLT, CONNECTING ROD | VIS DE BIELLE | BOLZEN | 8 | 8 | 8 | 8 | | |
| 080 | 16241-2231-0 | METAL, CRANKPIN | COUSSINET DE BIELLE | METALLTEIL | 4 | 4 | 4 | 4 | | STD SET |
| 080 | 16241-2297-0 | METAL, CRANKPIN | COUSSINET DE BIELLE | METALLTEIL | 4 | 4 | 4 | 4 | | +0.2mm SET |
| 080 | 16241-2298-0 | METAL, CRANKPIN | COUSSINET DE BIELLE | METALLTEIL | 4 | 4 | 4 | 4 | | +0.4mm SET |
| 090 | 16282-2301-3 | COMP. CRANKSHAFT | VILEBREQUIN COMPLET | KOMP. KURBELWELLE | 1 | 1 | 1 | 1 | | |
| 100 | ---- | BLANK | BLANC | LEERE SPALTE | - | - | - | - | | |
| 110 | 07715-00401 | BALL | BILLE | KUGEL | 4 | 4 | 4 | 4 | | |
| 120 | 16241-2411-0 | GEAR, CRANK | PIGNON | ZAHNRAD | 1 | 1 | 1 | 1 | | |
| 130 | 16271-9523-0 | KEY | CLAVETTE | KEIL | 1 | 1 | 1 | 1 | | |
| 140 | 16241-3563-0 | GEAR, OIL PUMP DRIVE | PIGNON ENTRAIN, POMPE | GETRIEBE | 1 | 1 | 1 | 1 | | |
| 150 | 16241-2328-0 | SLEEVE, CRANKSHAFT | FRETTE ARRIERE | MUFFE | 1 | 1 | 1 | 1 | | |
| 160 | 16241-2325-0 | COLLAR, CRANKSHAFT | COLLIER VILEBREQUIN | HALSRING | 1 | 1 | 1 | 1 | | |
| 170 | 04811-10280 | O RING | JOINT TORIQUE | O RING | ~WH4333 | ~WH4333 | ~WH4333 | ~WH4333 | | # |
| 170 | 04814-10280 | RING | BAGUE | RING | WJ0001 | WJ0001 | WJ0001 | WJ0001 | | # |
| 180 | 16241-2347-0 | METAL, CRANKSHAFT | COUSSINET DE VILEBR. | METALLTEIL | 1 | 1 | 1 | 1 | | STD |
| 180 | 16241-2391-0 | METAL, CRANKSHAFT | COUSSINET DE VILEBR. | METALLTEIL | 1 | 1 | 1 | 1 | | -0.2mm |
| 180 | 16241-2392-0 | METAL, CRANKSHAFT | COUSSINET DE VILEBR. | METALLTEIL | 1 | 1 | 1 | 1 | | -0.4mm |
| 190 | 16241-2348-0 | METAL, CRANKSHAFT | COUSSINET DE VILEBR. | METALLTEIL | 3 | 3 | 3 | 3 | | STD SET |
| 190 | 16241-2393-0 | METAL, CRANKSHAFT | COUSSINET DE VILEBR. | METALLTEIL | 3 | 3 | 3 | 3 | | -0.2mm SET |
| 190 | 16241-2394-0 | METAL, CRANKSHAFT | COUSSINET DE VILEBR. | METALLTEIL | 3 | 3 | 3 | 3 | | -0.4mm SET |
| 200 | 16292-2349-0 | METAL, CRANKSHAFT | COUSSINET DE VILEBR. | METALLTEIL | 1 | 1 | 1 | 1 | | STD SET |

0102

PISTON AND CRANKSHAFT
PISTON ET VILEBREQUIN
KOLBEN UND KURBELWELLE

B06-R

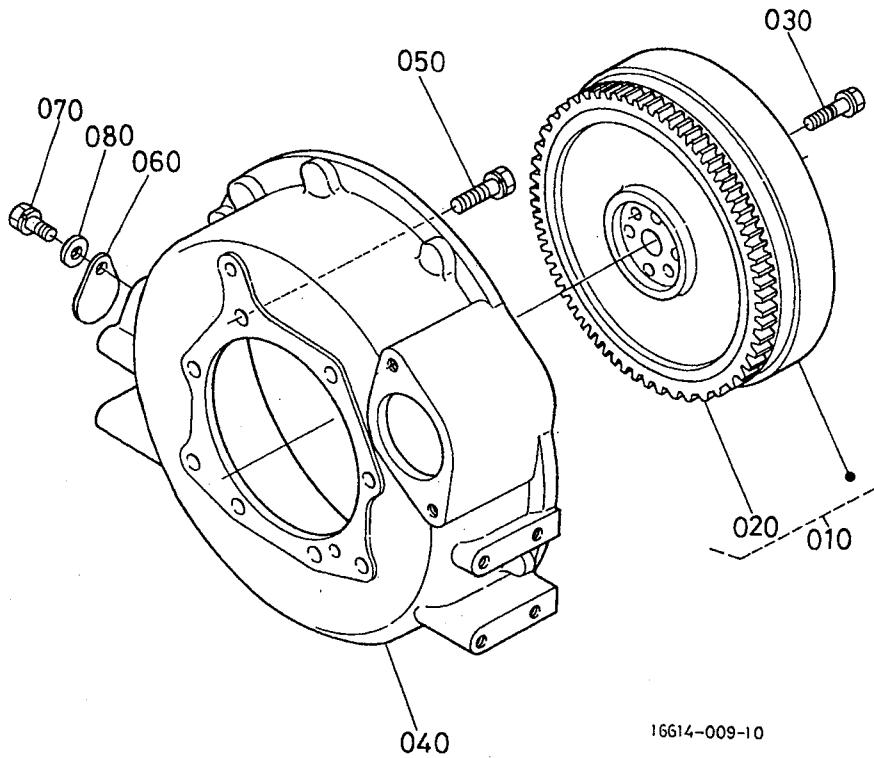
REV.NOV.10 '00



17208-001-20

A:V1505-BB(EBB)-EC-1 B:V1505-BB(EBB)-SAE-EC-1 C:V1505-BB(EBB)-EC-STD-3 D:V1505-BBS(EBBS)-EC-1

| REF No. POS No. BILD-Nr. | PART No. REFERENCE BESTELL-Nr. | PART NAME | DESIGNATION | BEZEICHNUNG | Q' TY/S. No. Q' TE/No. S. STUECK/S. Nr. | | | | I.C. | REMARKS REMARQUES BEMERKUNGEN |
|--------------------------------|--------------------------------------|-------------------|----------------------|------------------|---|---------|---------|---------|------|-------------------------------------|
| | | | | | A | B | C | D | | |
| 200 | 16241-2386-0 | METAL, CRANKSHAFT | COUSSINET DE VILEBR. | METALLTEIL | ~XC996B | ~XC996B | ~XC996B | ~XC996B | | #-0.2mm SET |
| 200 | 16292-2386-0 | METAL, CRANKSHAFT | COUSSINET DE VILEBR. | METALLTEIL | XE0001 | XE0001 | XE0001 | XE0001 | | #-0.2mm SET |
| 200 | 16241-2387-0 | METAL, CRANKSHAFT | COUSSINET DE VILEBR. | METALLTEIL | ~XC996B | ~XC996B | ~XC996B | ~XC996B | | #-0.4mm SET |
| 200 | 16292-2387-0 | METAL, CRANKSHAFT | COUSSINET DE VILEBR. | METALLTEIL | XE0001 | XE0001 | XE0001 | XE0001 | | #-0.4mm SET |
| 210 | 15521-2353-0 | METAL, SIDE | COUSSINET DE LATERAL | METALLSEITENRING | 2 | 2 | 2 | 2 | | STD |
| 210 | 15521-2395-0 | METAL, SIDE | COUSSINET DE LATERAL | METALLSEITENRING | 2 | 2 | 2 | 2 | | +0.2mm |
| 210 | 15521-2396-0 | METAL, SIDE | COUSSINET DE LATERAL | METALLSEITENRING | 2 | 2 | 2 | 2 | | +0.4mm |
| 220 | 19202-2354-0 | METAL, SIDE | COUSSINET DE LATERAL | METALLSEITENRING | 2 | 2 | 2 | 2 | | STD |
| 220 | 19202-2397-0 | METAL, SIDE | COUSSINET DE LATERAL | METALLSEITENRING | 2 | 2 | 2 | 2 | | +0.2mm |
| 220 | 19202-2398-0 | METAL, SIDE | COUSSINET DE LATERAL | METALLSEITENRING | 2 | 2 | 2 | 2 | | +0.4mm |



16614-009-10

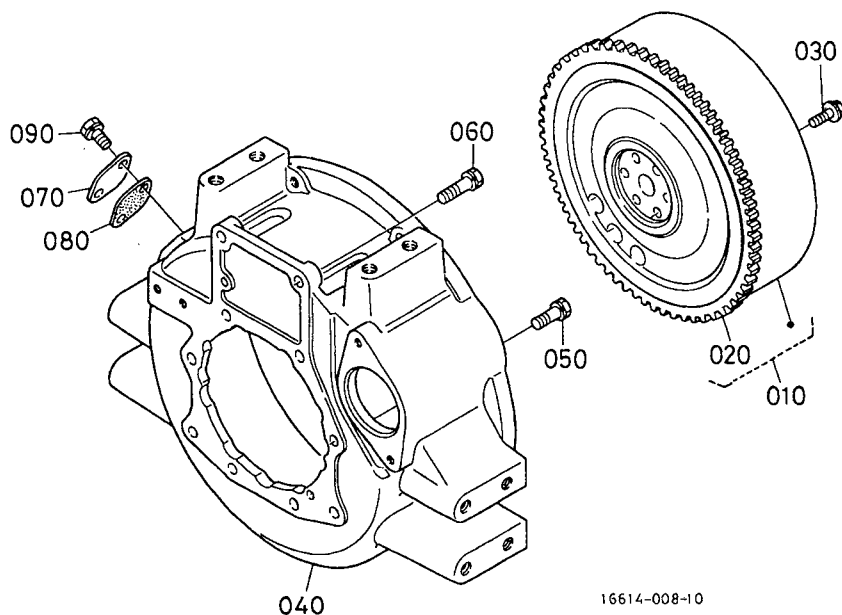
A:V1505-BB(EBB)-EC-1 B:V1505-BB(EBB)-SAE-EC-1 C:V1505-BB(EBB)-EC-STD-3 D:V1505-BBS(EBBS)-EC-1

| REF No. POS No. BILD-Nr. | PART No. REFERENCE BESTELL-Nr. | PART NAME | DESIGNATION | BEZEICHNUNG | Q' TY/S. No. Q' TE/No. S. STUECK/S. Nr. | | | | I.C. | REMARKS REMARQUES BEMERKUNGEN |
|--------------------------------|--------------------------------------|-------------------|----------------------|--------------------|---|---|---------|---|------|-------------------------------------|
| | | | | | A | B | C | D | | |
| 010 | 16685-2501-4 | COMP. FLYWHEEL | VOLANT MOTEUR COMP. | KOMP. SCHWUNGRAD | - | - | ~YD1625 | - | # | |
| 010 | 16685-2501-5 | COMP. FLYWHEEL | VOLANT MOTEUR COMP. | KOMP. SCHWUNGRAD | - | - | YE0001~ | - | # | |
| 020 | 16261-6382-0 | GEAR, RING | COURONNE DE DEMARRE. | ZAHNKRANZ | - | - | ~YD1625 | - | # | |
| 020 | 16261-6382-2 | GEAR, RING | COURONNE DE DEMARRE. | ZAHNKRANZ | - | - | YE0001~ | - | # | |
| 030 | 16241-2516-0 | BOLT, FLYWHEEL | VIS DE VOLANT | BOLZEN, SCHWUNGRAD | - | - | 6 | - | | |
| 040 | 16683-0461-0 | HOUSING, FLYWHEEL | CARTER VOLANT | GEHAESE-EINHEIT | - | - | 1 | - | | |
| 050 | 15261-9119-0 | BOLT | VIS | BOLZEN | - | - | 8 | - | | |
| 060 | 31220-1417-0 | COVER | COUVERCLE | DECKEL | - | - | 1 | - | | |
| 070 | 01123-50814 | BOLT | VIS | BOLZEN | - | - | 1 | - | | |
| 080 | 04013-50080 | WASHER, PLAIN | RONDELLE FREIN | SCHEIBE | - | - | 1 | - | | |
| | | | | | | | | | | |
| | | | | | | | | | | |
| | | | | | | | | | | |
| | | | | | | | | | | |
| | | | | | | | | | | |
| | | | | | | | | | | |
| | | | | | | | | | | |
| | | | | | | | | | | |
| | | | | | | | | | | |
| | | | | | | | | | | |
| | | | | | | | | | | |
| | | | | | | | | | | |
| | | | | | | | | | | |
| | | | | | | | | | | |
| | | | | | | | | | | |
| | | | | | | | | | | |
| | | | | | | | | | | |

010303 FLYWHEEL
VOLANT MOTEUR
SCHWUNGRAD

B08-L

REV.NOV.10 '00



A:V1505-BB(EBB)-EC-1 B:V1505-BB(EBB)-SAE-EC-1 C:V1505-BB(EBB)-EC-STD-3 D:V1505-BBS(EBBS)-EC-1

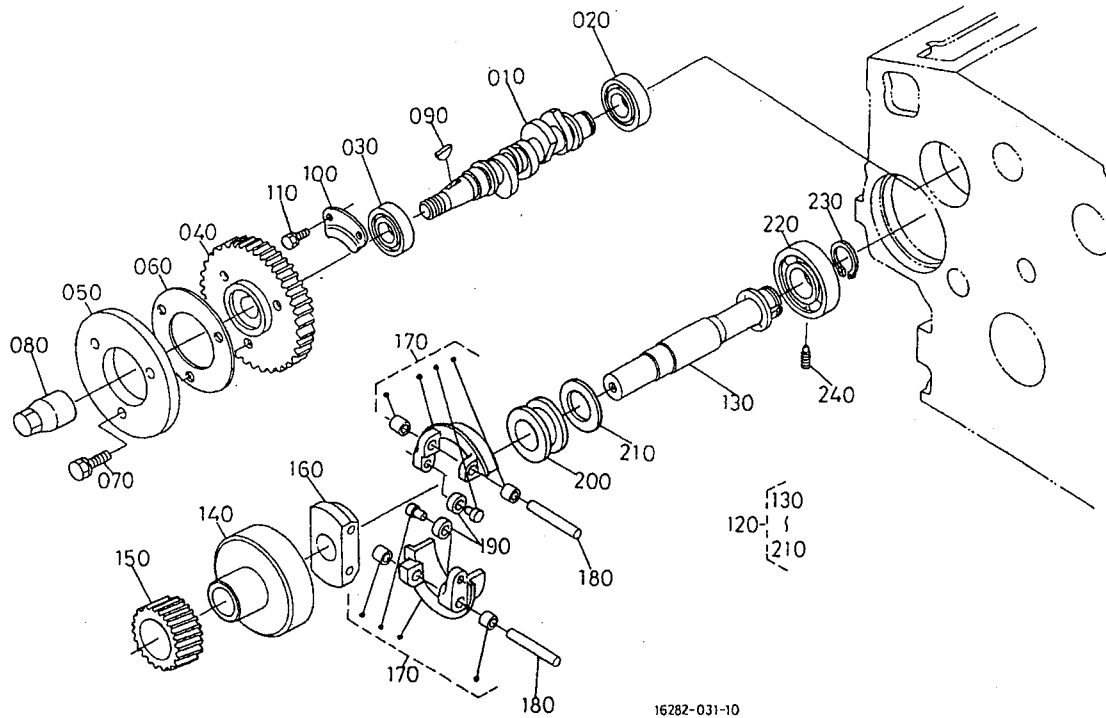
| REF. No. POS No. BLD-Nr. | PART No. REFERENCE BESTELL-Nr. | PART NAME | DESIGNATION | BEZEICHNUNG | Q' TY/S. No. Q' TE/No. S. STUECK/S. Nr. | | | | I.C. | REMARKS REMARQUES BEMERKUNGEN |
|--------------------------------|--------------------------------------|-------------------|----------------------|--------------------|---|--------------|---|---|------|-------------------------------------|
| | | | | | A | B | C | D | | |
| 010 | 16259-2501-4 | COMP. FLYWHEEL | VOLANT MOTEUR COMP. | KOMP. SCHWUNGRAD | - | 1 ~YD1625 | - | - | | # |
| 010 | 16259-2501-5 | COMP. FLYWHEEL | VOLANT MOTEUR COMP. | KOMP. SCHWUNGRAD | - | 1 YE0001~ | - | - | | # |
| 020 | 16261-6382-0 | GEAR, RING | COURONNE DE DEMARRE. | ZAHNKRANZ | - | 1 ~YD2625 | - | - | | # |
| 020 | 16261-6382-2 | GEAR, RING | COURONNE DE DEMARRE. | ZAHNKRANZ | - | 1 YE0001~ | - | - | | # |
| 030 | 16241-2516-0 | BOLT, FLYWHEEL | VIS DE VOLANT | BOLZEN, SCHWUNGRAD | - | 6 | - | - | | |
| 040 | 16259-0461-0 | HOUSING, FLYWHEEL | CARTER VOLANT | GEHAEUSE EINHEIT | - | 1 | - | - | | |
| 050 | 01133-51030 | BOLT | VIS | BOLZEN | - | 8 | - | - | | |
| 060 | 01133-51035 | BOLT | VIS | BOLZEN | - | 2 | - | - | | |
| 070 | 15521-0468-0 | COVER | COUVERCLE | DECKEL | - | 1 | - | - | | |
| 080 | 15521-0479-0 | PACKING, COVER | JOINT | DICHTUNG | - | 1 | - | - | | |
| 090 | 01123-50816 | BOLT | VIS | BOLZEN | - | 2 | - | - | | |
| | | | | | | | | | | |
| | | | | | | | | | | |
| | | | | | | | | | | |
| | | | | | | | | | | |
| | | | | | | | | | | |
| | | | | | | | | | | |
| | | | | | | | | | | |
| | | | | | | | | | | |
| | | | | | | | | | | |
| | | | | | | | | | | |
| | | | | | | | | | | |
| | | | | | | | | | | |
| | | | | | | | | | | |
| | | | | | | | | | | |
| | | | | | | | | | | |
| | | | | | | | | | | |
| | | | | | | | | | | |

010502

FUEL CAMSHAFT AND GOVERNOR SHAFT
ARBRE A CAMES DE CARBURANT ET ARBRE REGULATEUR
KRAFTSTOFF-NOCKENWELLE UND Achse
S. NO. (=)542029

B09-L

REV. NOV.10 '00



16282-031-10

A:V1505-BB(EBB)-EC-1 B:V1505-BB(EBB)-SAE-EC-1 C:V1505-BB(EBB)-EC-STD-3 D:V1505-BBS(EBBS)-EC-1

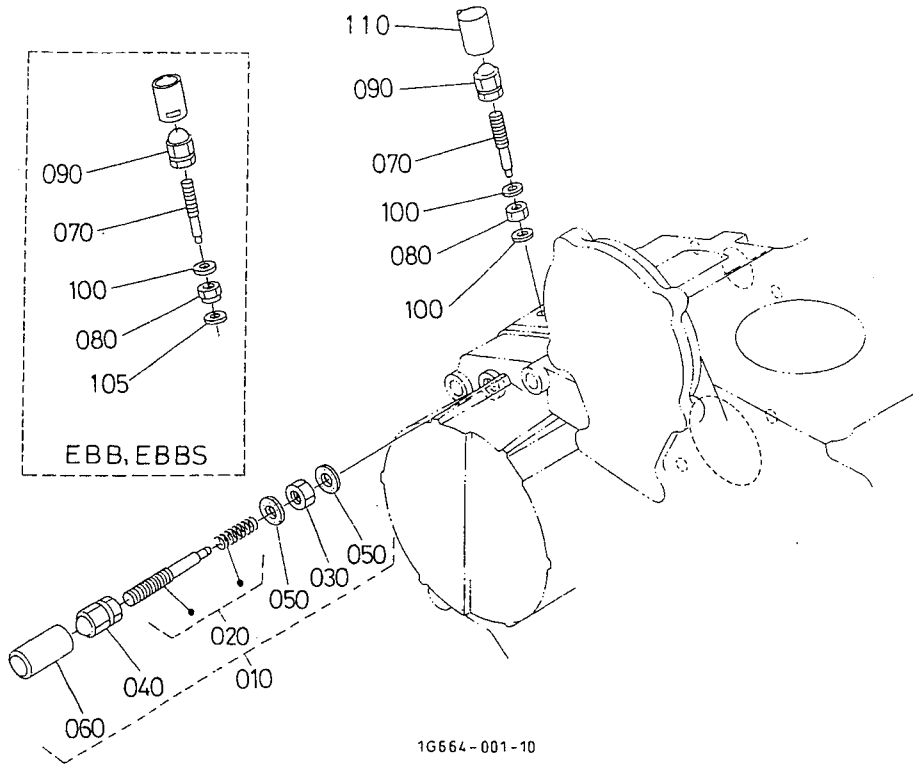
| REF. No. POS. No. BLD-Nr. | PART No. REFERENCE BESTELL-Nr. | PART NAME | DESIGNATION | BEZEICHNUNG | Q' TY/S. No. Q' TE/No. S. STUECK/S. Nr. | | | | I.C. | REMARKS REMARQUES BEMERKUNGEN |
|---------------------------------|--------------------------------------|------------------------|------------------------|--------------------|---|---|---|---|------|-------------------------------------|
| | | | | | A | B | C | D | | |
| 010 | 16040-1617-0 | CAMSHAFT, FUEL | ARBRE A CAMES | NOCKENWELLE | | | | | | |
| 020 | 08103-06202 | BEARING, BALL | ROULEMENT A BILLES | KUGELLAGER | 1 | 1 | 1 | 1 | | |
| 030 | 08103-06204 | BEARING, BALL | ROULEMENT A BILLES | KUGELLAGER | 1 | 1 | 1 | 1 | | |
| 040 | 16272-5115-0 | GEAR, INJECTION PUMP | ENGRE, POMPE D' INJEC. | GETRIEBEZAHNRAD | 1 | 1 | 1 | 1 | | |
| 050 | 16241-5111-3 | CAM, FUEL | CAME DE CARBURANT | NOCKEN | 1 | 1 | 1 | 1 | | |
| 060 | 16241-5119-0 | WASHER | RONDELLE | SCHEIBE | 1 | 1 | 1 | 1 | | |
| 070 | 01023-50618 | BOLT | VIS | BOLZEN | 3 | 3 | 3 | 3 | | # CORRECTION |
| 080 | 16241-9233-0 | NUT | ECROU | MUTTER | 1 | 1 | 1 | 1 | | # CORRECTION |
| 090 | 16241-9523-0 | KEY, WOODRUFF | CLAVETTE WOODRUFF | SCHEIBEN-KEIL | 1 | 1 | 1 | 1 | | # CORRECTION |
| 100 | 16241-1632-0 | STOPPER, FUEL, C/SHAFT | BOUCHON | STOPFENNOCKENWELLE | 1 | 1 | 1 | 1 | | |
| 110 | 01023-50612 | BOLT | VIS | BOLZEN | 2 | 2 | 2 | 2 | | |
| 120 | 16271-5501-3 | ASSY SHAFT, GOVERNOR | ENS. ARBRE REGULAT. | ACHSE | 1 | 1 | 1 | 1 | | |
| 130 | 16271-5531-3 | SHAFT, GOVERNOR | ARBRE DE REGULATEUR | REGLERWELLE | 1 | 1 | 1 | 1 | | |
| 140 | 16241-5539-2 | HOLDER, GOVERNOR GEAR | SUPPORT REGUL-PIGNON | HALTER | 1 | 1 | 1 | 1 | | |
| 150 | 16271-5532-0 | GEAR, GOVERNOR | ENGRENAGE DE REGULAT | REGLERZAHNRAD | 1 | 1 | 1 | 1 | | |
| 160 | 16241-5527-0 | HOLDER, GOV. WEIGHT | SUPPORT POIDS REGUL. | HALTER, GEWICHT | 1 | 1 | 1 | 1 | | |
| 170 | 16271-5506-0 | COMP. WEIGHT, GOVERNOR | POIDS COMP. REGUL. | GEWICHT KOMP. | 2 | 2 | 2 | 2 | | |
| 180 | 16241-5526-0 | SHAFT, GOV. WEIGHT | ARBRE DE POIDS REG. | WELLE | 2 | 2 | 2 | 2 | | |
| 190 | 19484-5544-0 | ROLLER | ROULEAU | ROLLE | 2 | 2 | 2 | 2 | | |
| 200 | 16241-5545-0 | SLEEVE, GOVERNOR | BAGUE DE REGULATEUR | REGLERMUFFE | 1 | 1 | 1 | 1 | | |
| 210 | 16241-5546-3 | WASHER, THRUST | RONDELLE DE BUTEE | DRUCKSCHEIBE | 1 | 1 | 1 | 1 | | |
| 220 | 08101-06304 | BEARING, BALL | ROULEMENT A BILLES | KUGELLAGER | 1 | 1 | 1 | 1 | | |
| 230 | 16271-5541-0 | CIR CLIP, GOV. SHAFT | CIRCLIP DE REG. ARBRE | SPRENGRING | 1 | 1 | 1 | 1 | | |
| 240 | 16241-5555-4 | SCREW, SET | VIS D' ARRET | ANSCHLAGSCHRAUBE | 1 | 1 | 1 | 1 | | |
| | | | | | | | | | | |
| | | | | | | | | | | |
| | | | | | | | | | | |
| | | | | | | | | | | |
| | | | | | | | | | | |
| | | | | | | | | | | |
| | | | | | | | | | | |
| | | | | | | | | | | |
| | | | | | | | | | | |

0200

ENGINE STOP LEVER
LEVIER D'ARRET DU MOTEUR
MOTORABSTELLHEBEL

B09-R

REV.NOV.10 '00



1G664-001-10

A:V1505-BB(EBB)-EC-1 B:V1505-BB(EBB)-SAE-EC-1 C:V1505-BB(EBB)-EC-STD-3 D:V1505-BBS(EBBS)-EC-1

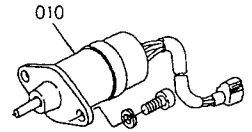
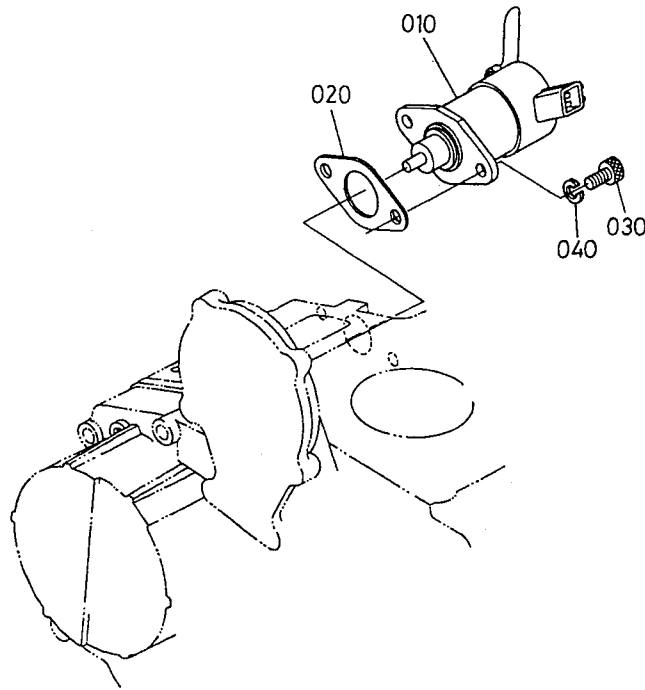
| REF No POS No BILD-Nr | PART No. REFERENCE BESTELL-Nr. | PART NAME | DESIGNATION | BEZEICHNUNG | Q' TY/S. No. Q' TE/No. S. STUECK/S. Nr. | | | | I.C. | REMARKS REMARQUES BEMERKUNGEN |
|-----------------------------|--------------------------------------|----------------------|--------------------|----------------------|---|---|---|---|------|-------------------------------------|
| | | | | | A | B | C | D | | |
| 010 | 16285-5409-0 | ASSY APPARATUS, IDLE | DISPOSITIF, RALENT | GRP, FREILAUFAPPARAT | 1 | 1 | 1 | 1 | | |
| 020 | 16285-5410-2 | ASSY BOLT, ADJUSTING | VIS DE REGLAGE | GRP, ENSTELLBOLZEN | 1 | 1 | 1 | 1 | | |
| 030 | 15841-9202-0 | NUT | ECROU | MUTTER | 1 | 1 | 1 | 1 | | |
| 040 | 15841-9233-0 | NUT | ECROU | MUTTER | 1 | 1 | 1 | 1 | | |
| 050 | 15601-9665-0 | GASKET | JOINT | DICHTUNGSPLATTE | 2 | 2 | 2 | 2 | | |
| 060 | 16221-5442-0 | CAP | BOUCHON | KAPPE | 1 | 1 | 1 | 1 | | |
| 070 | 16241-5412-0 | BOLT, ADJUSTING | VIS REGLAGE | EINSTELLBOLZEN | 1 | 1 | 1 | 1 | | |
| 080 | 15841-9202-0 | NUT | ECROU | MUTTER | 1 | 1 | 1 | 1 | | |
| 080 | 1G031-5421-0 | NUT, LOCK | CONTRE-ECROU | MUTTER | 1 | 1 | 1 | 1 | | #EBB, EBBS |
| 090 | 15841-9233-0 | NUT | ECROU | MUTTER | 1 | 1 | 1 | 1 | | |
| 100 | 15601-9665-0 | GASKET | JOINT | DICHTUNGSPLATTE | 2 | 2 | 2 | 2 | | |
| 100 | 15601-9665-0 | GASKET | JOINT | DICHTUNGSPLATTE | 1 | 1 | 1 | 1 | | #EBB, EBBS |
| 105 | 1G031-9665-0 | GASKET | JOINT | DICHTUNGSPLATTE | 1 | 1 | 1 | 1 | | #EBB, EBBS |
| 110 | 16221-5442-0 | CAP | BOUCHON | KAPPE | 1 | 1 | 1 | 1 | | BB, BBS |
| | | | | | | | | | | |
| | | | | | | | | | | |
| | | | | | | | | | | |
| | | | | | | | | | | |
| | | | | | | | | | | |
| | | | | | | | | | | |
| | | | | | | | | | | |
| | | | | | | | | | | |
| | | | | | | | | | | |
| | | | | | | | | | | |
| | | | | | | | | | | |
| | | | | | | | | | | |
| | | | | | | | | | | |
| | | | | | | | | | | |
| | | | | | | | | | | |

020102 STOP SOLENOID
SOLENOIDE D' ARRET
ABSTELLSOLENOID
S. NO. [=>95969]

B10-R

REV.NOV.10 '00

010 16259-6001-0



16332-001-10

16235-800-10

A:V1505-BB(EBB)-EC-1 B:V1505-BB(EBB)-SAE-EC-1 C:V1505-BB(EBB)-EC-STD-3 D:V1505-BBS(EBBS)-EC-1

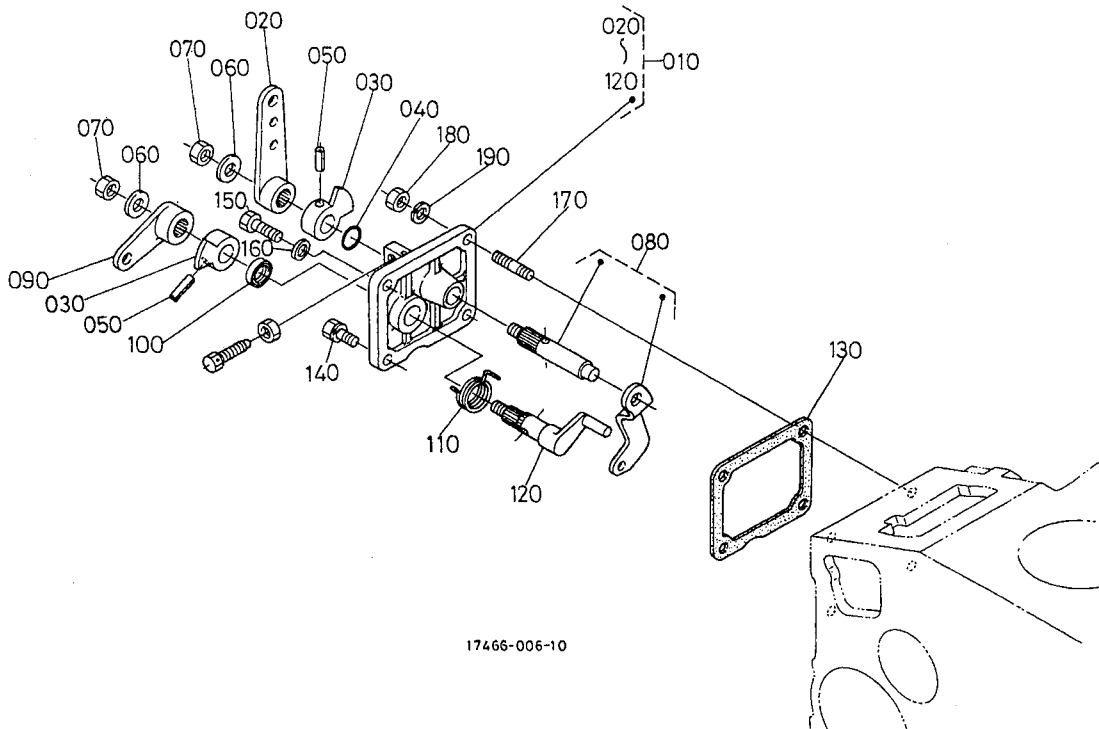
| REF. No. POS. No. BLD. No. | PART No. REFERENCE BESTELL-Nr. | PART NAME | DESIGNATION | BEZEICHNUNG | Q' TY/S. No. Q' TE/No. S. STUECK/S. Nr. | | | | I.C. | REMARKS REMARQUES BEMERKUNGEN |
|----------------------------------|--------------------------------------|---------------------|-----------------|------------------|---|---------|---------|---------|------|-------------------------------------|
| | | | | | A | B | C | D | | |
| 010 | 16259-6001-0 | ASSY SOLENOID | ENS. SOLENOID | DRAHTSPULE, KOMP | ~XZ0500 | ~XZ0500 | ~XZ0500 | ~XZ0500 | | # |
| 010 | 17208-6001-0 | ASSY SOLENOID, STOP | ENS. SOLENOIDE | DRAHTSPULE, KOMP | YA0001 | YA0001 | YA0001 | YA0001 | | # |
| 020 | 16299-6015-0 | GASKET | JOINT | DICHTUNGSPLATTE | 1 | 1 | 1 | 1 | | |
| 030 | 01311-10614 | BOLT, HEX-SOC-HD | VIS | BOLZEN | 2 | 2 | 2 | 2 | | |
| 040 | 04512-50060 | WASHER, SPRING | RONDELLE GROWER | FEDERRING | 2 | 2 | 2 | 2 | | |
| | | | | | | | | | | |
| | | | | | | | | | | |
| | | | | | | | | | | |
| | | | | | | | | | | |
| | | | | | | | | | | |
| | | | | | | | | | | |
| | | | | | | | | | | |
| | | | | | | | | | | |
| | | | | | | | | | | |
| | | | | | | | | | | |
| | | | | | | | | | | |
| | | | | | | | | | | |
| | | | | | | | | | | |
| | | | | | | | | | | |
| | | | | | | | | | | |
| | | | | | | | | | | |
| | | | | | | | | | | |
| | | | | | | | | | | |
| | | | | | | | | | | |
| | | | | | | | | | | |

0205

SPEED CONTROL PLATE
 PLAQUE DE VITESSE-CONTROLE
 GESCHWINDIGKEITS-REGLERPLATTE

B12-L

REV.NOV.10 '00



A:V1505-BB(EBB)-EC-1 B:V1505-BB(EBB)-SAE-EC-1 C:V1505-BB(EBB)-EC-STD-3 D:V1505-BBS(EBBS)-EC-1

| REF No. POS No. BILD-Nr. | PART No. REFERENCE BESTELL-Nr. | PART NAME | DESIGNATION | BEZEICHNUNG | Q' TY/S, No. Q' TE/No. S. STUECK/S, Nr. | | | | I.C. | REMARKS REMARQUES BEMERKUNGEN |
|--------------------------------|--------------------------------------|-----------------------|-----------------------|---------------------|---|--------------|--------------|--------------|------|-------------------------------------|
| | | | | | A | B | C | D | | |
| 010 | 16299-5701-5 | ASSY PLATE, CONTROL | PLATEAU DE COMMANDE | GRP. REGELPLATTE | 1 | 1 | 1 | 1 | | |
| 020 | 16271-5715-0 | LEVER, SPEED CONTROL | LEVIER DE VIT-CONTRO | DREHZAHVERSTELHEBEL | 1 | 1 | 1 | 1 | | |
| 030 | 16241-5716-0 | LEVER, SPEED CONTROL | LEVIER DE VIT-CONTRO | DREHZAHVERSTELHEBEL | 2 | 2 | 2 | 2 | | |
| 040 | 04811-00100 | O RING, FILTER | JOINT TORIQUE FILT. | O RING | 1 ~WJ9533 | 1 ~WJ9533 | 1 ~WJ9533 | 1 ~WJ9533 | | # |
| 040 | 04814-00100 | O RING | JOINT TORIQUE | O RING | 1 WL0001 | 1 WL0001 | 1 WL0001 | 1 WL0001 | | # |
| 050 | 05411-00420 | PIN, SPRING | GOUILLE-RESSORT | STIFT, FEDR | 2 | 2 | 2 | 2 | | |
| 060 | 16241-9402-0 | WASHER, PLAIN | RONDELLE FREIN | SCHEIBE | 2 | 2 | 2 | 2 | | |
| 070 | 16241-9202-0 | NUT | ECROU | MUTTER | 2 | 2 | 2 | 2 | | |
| 080 | 16271-5602-3 | COMP. LEVER, GOVERNOR | AXE D' ACCELERATEUR | KOMP. REGLERHEBEL | 1 | 1 | 1 | 1 | | |
| 090 | 16271-5772-0 | LEVER, ENGINE STOP | LEVIER D' ARRET | MOTOR-STOPHEBEL | 1 | 1 | 1 | 1 | | |
| 100 | 15471-5798-0 | SEAL, OIL | BAGUE JOINT | OELDICHTUNGSRING | 1 | 1 | 1 | 1 | | |
| 110 | 16222-5751-0 | SPRING, RETURN | RESSORT DE RAPPEL | RUECKZUGFEDER | 1 | 1 | 1 | 1 | | |
| 120 | 16271-5774-0 | SHAFT, STOP LEVER | ARBRE D' ARRET-LEVIER | WELLE | 1 | 1 | 1 | 1 | | |
| 130 | 16264-5721-0 | GASKET | JOINT | DICHTUNGSPLATTE | 1 | 1 | 1 | 1 | | |
| 140 | 01023-50616 | BOLT | VIS | BOLZEN | 2 ~89029 | 2 ~89029 | 2 ~89029 | 2 ~89029 | | |
| 140 | 01023-50616 | BOLT | VIS | BOLZEN | 1 89030 | 1 89030 | 1 89030 | 1 89030 | | |
| 150 | 01053-50618 | BOLT | VIS | BOLZEN | 1 89030 | 1 89030 | 1 89030 | 1 89030 | | |
| 160 | 15601-9665-0 | GASKET | JOINT | DICHTUNGSPLATTE | 1 89030 | 1 89030 | 1 89030 | 1 89030 | | |
| 170 | 01513-50616 | BOLT, STUD | GOUJON PRISONNIER | STEBBOLZEN | 2 ~WH4333 | 2 ~WH4333 | 2 ~WH4333 | 2 ~WH4333 | | # |
| 170 | 16245-9154-0 | STUD | GOUJON | STEBBOLZEN | 2 WJ0001 | 2 WJ0001 | 2 WJ0001 | 2 WJ0001 | | # |
| 180 | 02056-50060 | NUT | ECROU | MUTTER | 2 | 2 | 2 | 2 | | |
| 190 | 04512-50060 | WASHER, SPRING | RONDELLE GROWER | FEDERRING | 2 | 2 | 2 | 2 | | |

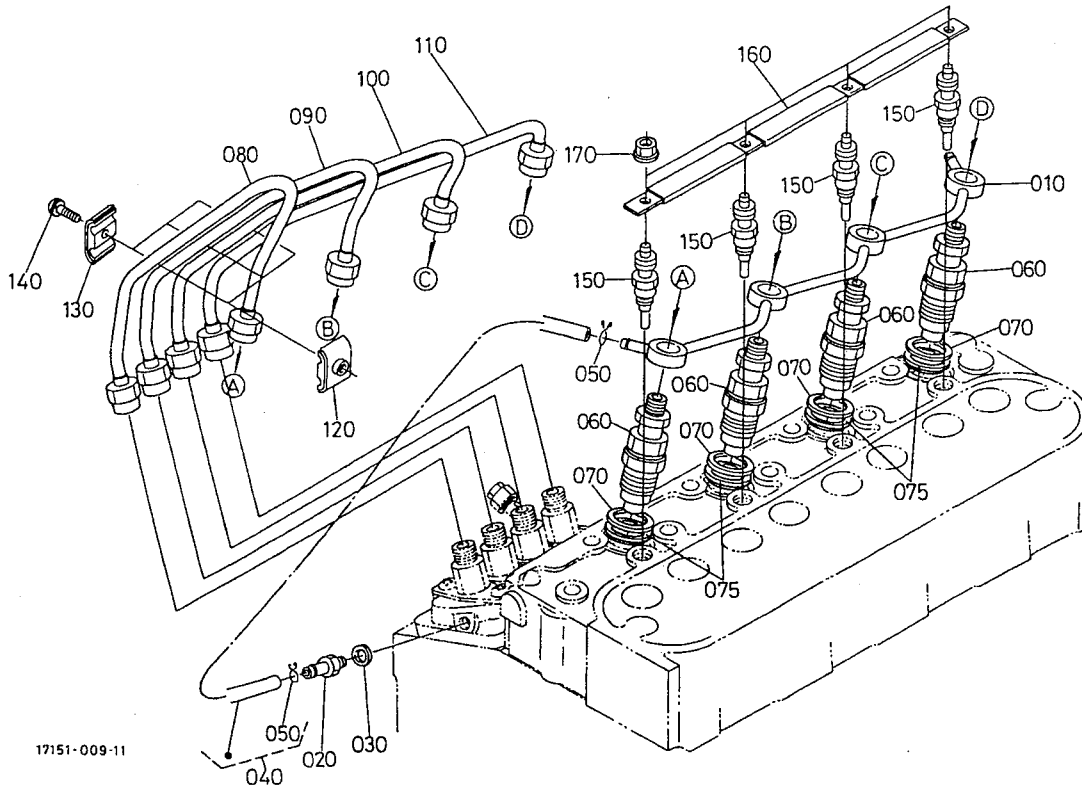
0206

NOZZLE HOLDER AND GLOW PLUG
PORTE-INJECTEUR ET BOUGIE DE PRECHAUFFAGE
DUESENHALTER UND GLUEHKERZE

B12-R

REV.NOV.10 '00

180 04013-60040



17151-009-11

1G216-801-10

A: V1505-BB(EBB)-EC-1 B: V1505-BB(EBB)-SAE-EC-1 C: V1505-BB(EBB)-EC-STD-3 D: V1505-BBS(EBBS)-EC-1

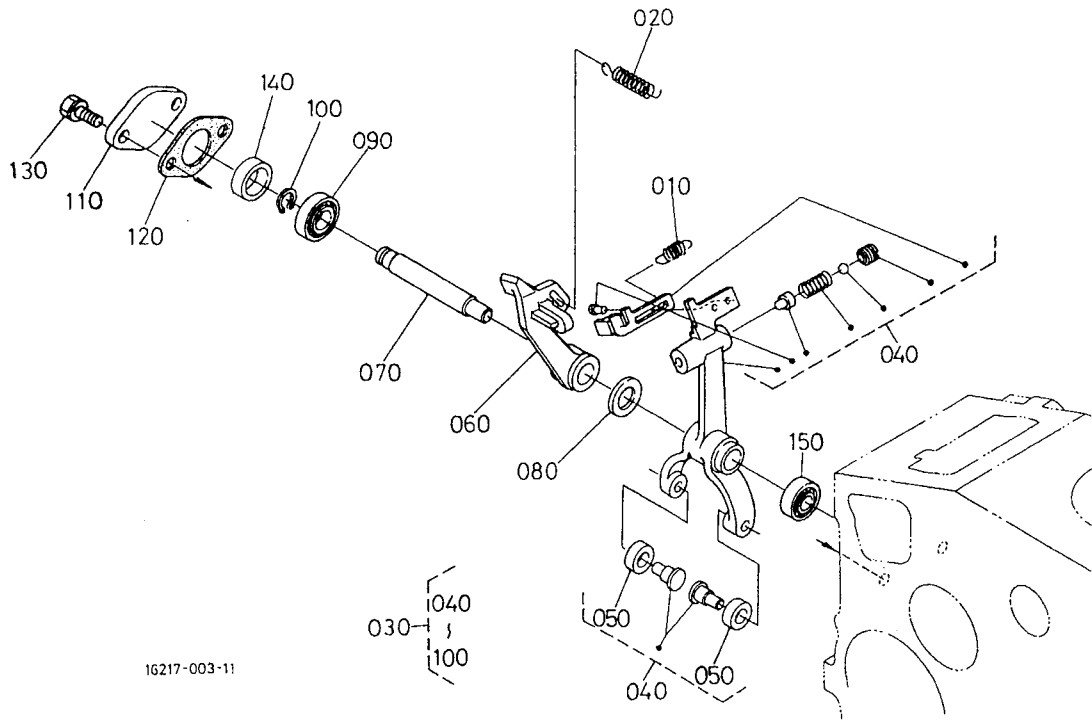
| REF. No. POS No. BILD-Nr. | PART No. REFERENCE BESTELL-Nr. | PART NAME | DESIGNATION | BEZEICHNUNG | Q' TY/S, No. Q' TE/No. S. STUECK/S. Nr. | | | | I.C. | REMARKS REMARQUES BEMERKUNGEN |
|---------------------------------|--------------------------------------|----------------------|-----------------------|--------------------|---|---------|---------|---------|------|-------------------------------------|
| | | | | | A | B | C | D | | |
| 010 | 16271-4250-0 | ASSY PIPE, OVER FLOW | ENS. TUYAU TROP-PLEIN | GRP. UEBERLAUFROHR | ~497380 | ~497380 | ~497380 | ~497380 | | |
| 010 | 16271-4250-2 | ASSY PIPE, OVER FLOW | ENS. TUYAU TROP-PLEIN | GRP. UEBERLAUFROHR | 1 | 1 | 1 | 1 | | |
| 020 | 15841-5136-0 | SCREW, AIR BREEDER | VIS DE AIR-AVICL TEUR | SCHRAUBE | 497381 | 497381 | 497381 | 497381 | | |
| 030 | 15601-9665-0 | GASKET | JOINT | DICHTUNGSPLATTE | 1 | 1 | 1 | 1 | | |
| 040 | 15841-4250-0 | ASSY PIPE, OVER FLOW | ENS. TUYAU TROP-PLEIN | GRP. UEBERLAUFROHR | 1 | 1 | 1 | 1 | | |
| 050 | 14971-4275-0 | CLIP, PIPE | ATTACHE | ROHRKLEMME | 2 | 2 | 2 | 2 | | |
| 060 | 16261-5300-0 | ASSY HOLDER, NOZZLE | ENS. PORTE-INJECTEUR | GRP. DUESENHALTER | ~489915 | ~489915 | ~489915 | ~489915 | | |
| 060 | 16032-5300-0 | ASSY HOLDER, NOZZLE | ENS. PORTE-INJECTEUR | GRP. DUESENHALTER | 4 | 4 | 4 | 4 | | |
| 070 | 15841-5362-2 | GASKET | JOINT | DICHTUNGSPLATTE | 4 | 4 | 4 | 4 | | |
| 075 | 19077-5365-0 | SEAL, HEAT | JOINT DE CHALEUR | DICHTUNG | 4 | 4 | 4 | 4 | | |
| 080 | 16271-5371-0 | PIPE, INJECTION | TUYAU D' INJECTEUR | EINSPRITZROHR | ~489915 | ~489915 | ~489915 | ~489915 | | |
| 080 | 16271-5371-2 | PIPE, INJECTION | TUYAU D' INJECTEUR | EINSPRITZROHR | 489916 | 489916 | 489916 | 489916 | | |
| 090 | 16271-5372-0 | PIPE, INJECTION | TUYAU D' INJECTEUR | EINSPRITZROHR | ~489915 | ~489915 | ~489915 | ~489915 | | |
| 090 | 16271-5372-2 | PIPE, INJECTION | TUYAU D' INJECTEUR | EINSPRITZROHR | 489916 | 489916 | 489916 | 489916 | | |
| 100 | 16271-5373-0 | PIPE, INJECTION | TUYAU D' INJECTEUR | EINSPRITZROHR | ~489915 | ~489915 | ~489915 | ~489915 | | |
| 100 | 16271-5373-2 | PIPE, INJECTION | TUYAU D' INJECTEUR | EINSPRITZROHR | 489916 | 489916 | 489916 | 489916 | | |
| 110 | 16271-5374-0 | PIPE, INJECTION | TUYAU D' INJECTEUR | EINSPRITZROHR | ~489915 | ~489915 | ~489915 | ~489915 | | |
| 110 | 16271-5374-2 | PIPE, INJECTION | TUYAU D' INJECTEUR | EINSPRITZROHR | 489916 | 489916 | 489916 | 489916 | | |
| 120 | 15841-5385-0 | CLAMP, PIPE | COLLIER DE TUYAU | ROHRKLEMME | 3 | 3 | 3 | 3 | | |
| 130 | 15841-5386-0 | CLAMP, PIPE | COLLIER DE TUYAU | ROHRKLEMME | 3 | 3 | 3 | 3 | | |
| 140 | 03024-50520 | SCREW, WITH WASHER | VIS | SCHRAUBE | 3 | 3 | 3 | 3 | | |
| 150 | 16241-6551-0 | GLOW PLUG | BOUGIE, PRE-CHAUFFAGE | GLUEHSTOEPSSEL | ~489915 | ~489915 | ~489915 | ~489915 | | |
| 150 | 16851-6551-0 | GLOW PLUG | BOUGIE, PRE-CHAUFFAGE | GLUEHSTOEPSSEL | 4 | 4 | 4 | 4 | | |
| 160 | 16271-6556-0 | CORD, GLOW PLUG | FILDEBOUG, PRECHAUFF. | GLUEHKERZEKORD | 1 | 1 | 1 | 1 | | |
| 170 | 02761-50040 | NUT, FLANGE | ECROU A EMBASE | FLANSCHEN-MUTTER | 4 | 4 | 4 | 4 | | |
| 180 | 04013-60040 | WASHER, PLAIN | RONDELLE FREIN | SCHEIBE | ~XS9983 | ~XS9983 | ~XS9983 | ~XS9983 | | # |

0212

FORK LEVER(GOVERNOR)
 LEVIER A FOURCHE(REGULATEUR DE VITESSES)
 HEBEL-GABEL(REGLER)

B14-R

REV.NOV.10 '00



A:V1505-BB(EBB)-EC-1 B:V1505-BB(EBB)-SAE-EC-1 C:V1505-BB(EBB)-EC-STD-3 D:V1505-BBS(EBBS)-EC-1

| REF No POS No BILD-Nr | PART No. REFERENCE BESTELL-Nr. | PART NAME | DESIGNATION | BEZEICHNUNG | Q' TY/S. No. Q' TE/No. S. STUECK/S. Nr. | | | | I.C. | REMARKS REMARQUES BEMERKUNGEN |
|-----------------------------|--------------------------------------|------------------------|-----------------------|--------------------|---|---------|---------|---------|------|-------------------------------------|
| | | | | | A | B | C | D | | |
| 010 | 16285-5648-0 | SPRING, START | RESSORT DE SURCHARGE | STARTERFEDER | ~559355 | ~559355 | ~559355 | ~559355 | | |
| 010 | 16271-5648-0 | SPRING, START | RESSORT DE SURCHARGE | STARTERFEDER | 559356 | 559356 | 559356 | 559356 | | |
| 020 | 16285-5641-2 | SPRING, GOVERNOR | RESSORT DE REGULATEU | REGLERFEDER | 1 | 1 | 1 | 1 | | |
| 030 | 16285-5605-2 | ASSY LEVER, FORK | ENS. LEVIER A FOURCHE | GRP. GABELHEBEL | ~489915 | ~489915 | ~489915 | ~489915 | | |
| 030 | 16060-5605-0 | ASSY LEVER, FORK | ENS. LEVIER A FOURCHE | GRP. GABELHEBEL | 489916 | 489916 | 489916 | 489916 | | |
| 030 | 16060-5605-4 | ASSY LEVER, FORK | ENS. LEVIER A FOURCHE | GRP. GABELHEBEL | WY0001 | WY0001 | WY0001 | WY0001 | | # |
| 040 | 16060-5604-0 | COMP. LEVER, FORK | LEVIER DE REGULATEUR | KOMP. GABELHEBEL | ~WX2480 | ~WX2480 | ~WX2480 | ~WX2480 | | # |
| 040 | 16060-5604-4 | COMP. LEVER, FORK | LEVIER DE REGULATEUR | KOMP. GABELHEBEL | WY0001 | WY0001 | WY0001 | WY0001 | | # |
| 050 | 19484-5544-0 | ROLLER | ROULEAU | ROLLE | 2 | 2 | 2 | 2 | | |
| 060 | 16222-5613-0 | LEVER, FORK | LEVIER A FOURCHE | HEBEL, GABEL | 1 | 1 | 1 | 1 | | |
| 070 | 16241-5615-3 | SHAFT, FORK LEVER | ARBRE DE FOUR-LEVIER | GABELHEBELWELLE | 1 | 1 | 1 | 1 | | |
| 080 | 16241-9401-0 | WASHER, PLAIN | RONDELLE FREIN | SCHEIBE | 1 | 1 | 1 | 1 | | |
| 090 | 16241-5633-0 | BEARING, MINIATURIZE | ROULEMENT | KUGELLAGER | 1 | 1 | 1 | 1 | | |
| 100 | 04612-00090 | CIR CLIP, EXTERNAL | CIRCLIP | SPRENGRING, AUSSEN | 1 | 1 | 1 | 1 | | |
| 110 | 16241-5625-0 | COVER, FORK LEV, SHAFT | COUV. FOURCHE ARBRE | DECKEL | 1 | 1 | 1 | 1 | | |
| 120 | 16299-5626-0 | GASKET | JOINT | DICHTUNGSPLATTE | 1 | 1 | 1 | 1 | | |
| 130 | 01023-50614 | BOLT | VIS | BOLZEN | 2 | 2 | 2 | 2 | | |
| 140 | 16241-5621-0 | COLLAR | COLLIER | HUELSE | 1 | 1 | 1 | 1 | | |
| 150 | 16241-5634-0 | BEARING, MINIATURIZE | ROULEMENT | KUGELLAGER | 1 | 1 | 1 | 1 | | |

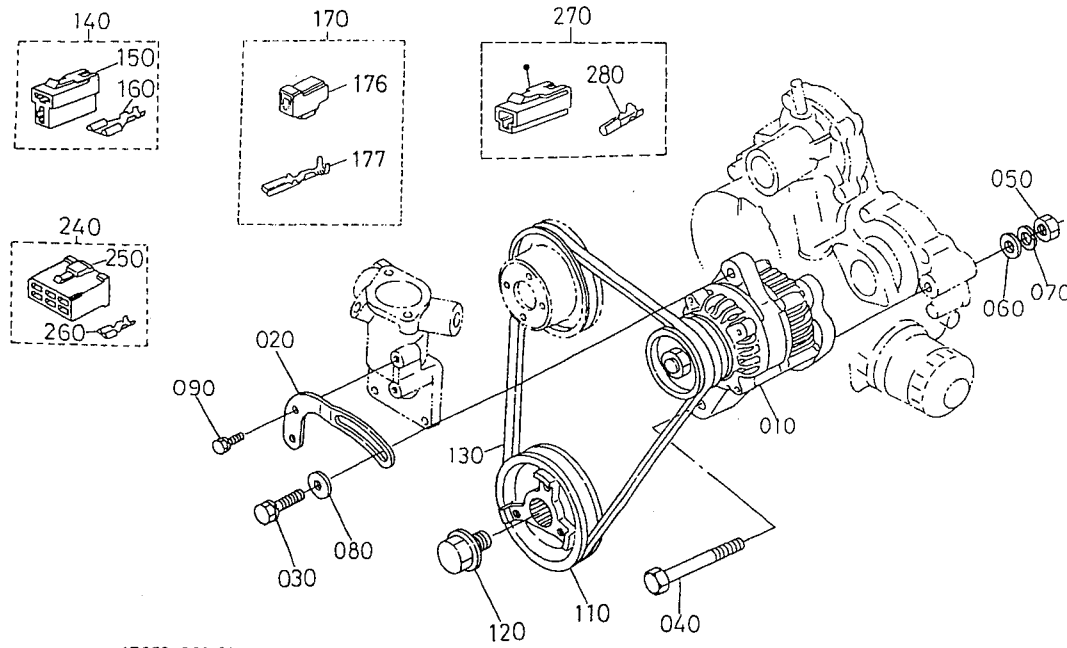
0402

ALTERNATOR AND PULLEY
ALTERNATEUR
WECHSELSTROMMASCHINE

B16-L

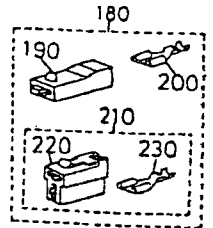
REV. NOV. 10 '00

170 16259-6583-0



1E058-002-21

180 16239-6583-0
190 16239-6588-0
200 16239-6577-0
210 19838-6583-0
220 19872-6588-0
230 19237-6591-0



16285-806-10

A:V1505-BB(EBB)-EC-1 B:V1505-BB(EBB)-SAE-EC-1 C:V1505-BB(EBB)-EC-STD-3 D:V1505-BBS(EBBS)-EC-1

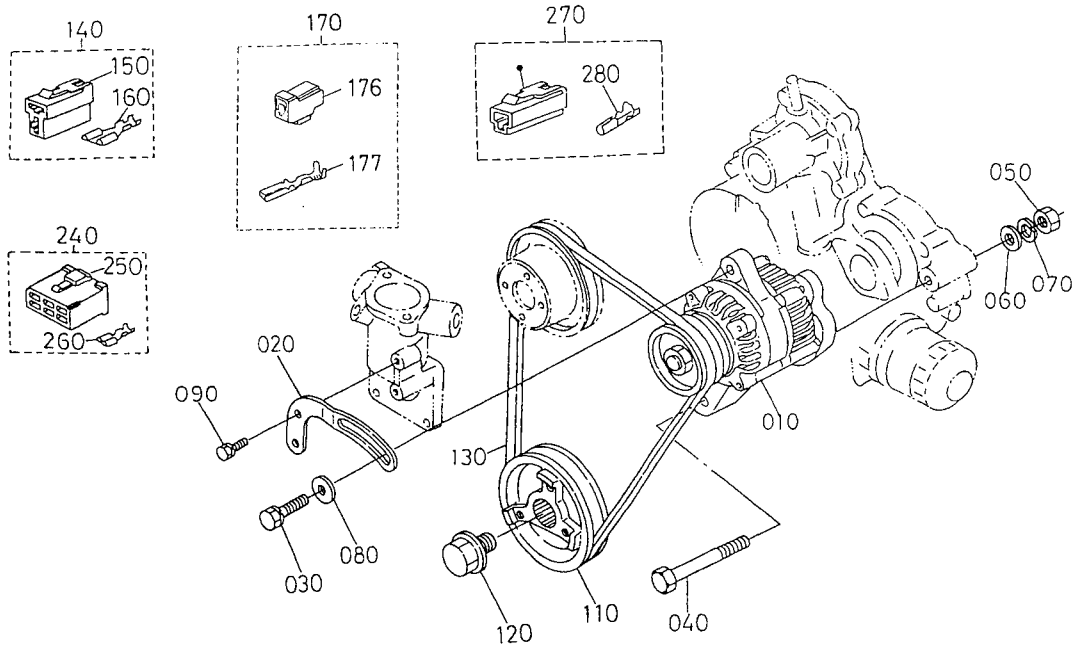
| REF. No. POS. No. BILD-Nr. | PART No. REFERENCE BESTELL-Nr. | PART NAME | DESIGNATION | BEZEICHNUNG | Q' TY/S. No. Q' TE/No. S. STUECK/S. Nr. | | | | I.C. | REMARKS REMARQUES BEMERKUNGEN |
|----------------------------------|--------------------------------------|---------------------|-----------------------|-----------------------|---|---------|---------|---------|------|-------------------------------------|
| | | | | | A | B | C | D | | |
| 010 | 16241-6401-0 | ASSY ALTERNATOR | ALTERNATEUR COMPLET | GRP. WECHSELSTROMDYN. | ~XZ0500 | ~XZ0500 | ~XZ0500 | ~XZ0500 | | # |
| 010 | 16678-6401-0 | ASSY ALTERNATOR | ALTERNATEUR COMPLET | GRP. WECHSELSTROMDYN. | YA0001 | YA0001 | YA0001 | YA0001 | | # |
| 020 | 16241-6442-0 | STAY, DYNAMO | TENDEUR | DYNAMOSTANGE | 1 | 1 | 1 | 1 | | |
| 030 | 01123-50825 | BOLT | VIS | BOLZEN | 1 | 1 | 1 | 1 | | # |
| 030 | 01123-50830 | BOLT | VIS | BOLZEN | 1 | 1 | 1 | 1 | | # |
| 040 | 01173-51085 | BOLT | VIS | BOLZEN | 1 | 1 | 1 | 1 | | # |
| 050 | 02176-50100 | NUT | ECROU | MUTTER | 1 | 1 | 1 | 1 | | |
| 060 | 04011-50100 | WASHER, PLAIN | RONDELLE FREIN | SCHEIBE | 1 | 1 | 1 | 1 | | |
| 070 | 04512-50100 | WASHER, SPRING | RONDELLE GROWER | FEDERRING | 1 | 1 | 1 | 1 | | |
| 080 | 04015-50080 | WASHER, PLAIN | RONDELLE FREIN | SCHEIBE | 1 | 1 | 1 | 1 | | |
| 090 | 01023-50616 | BOLT | VIS | BOLZEN | 1 | 1 | 1 | 1 | | |
| 100 | ---- | BLANK | BLANC | LEERE SPALTE | - | - | - | - | | |
| 110 | 16249-7428-0 | PULLEY, FAN DRIVE | POULIE ENTRAIN. VENT. | RIEMENSCHLEIBE | 1 | 1 | 1 | 1 | | |
| 120 | 16241-9102-0 | BOLT, FAN DRIVE | VIS | BOLZEN | 1 | 1 | 1 | 1 | | |
| 130 | 16241-9701-0 | V BELT | COURROIE | RIEMEN | 1 | 1 | 1 | 1 | | 37.0IN |
| 130 | 16282-9701-0 | V BELT | COURROIE | RIEMEN | ~248676 | ~248676 | ~248676 | ~248676 | | 37.5IN |
| 140 | 19838-6583-0 | ASSY COUPLER | ENS. COUPLEUR | GRP. KUPPLER | ~XZ0500 | ~XZ0500 | ~XZ0500 | ~XZ0500 | | # |
| 140 | 16678-6583-0 | ASSY CONNECTOR, 2 | ENS. CONNECTEUR | GRP. ANSCHLUBE | YA0001 | YA0001 | YA0001 | YA0001 | | # |
| 150 | 19872-6588-0 | CONNECTOR | CONNECTEUR | ANSCHLUBE | ~XZ0500 | ~XZ0500 | ~XZ0500 | ~XZ0500 | | # |
| 150 | 16631-6584-0 | CONNECTOR | CONNECTEUR | ANSCHLUBE | YA0001 | YA0001 | YA0001 | YA0001 | | # |
| 160 | 19237-6591-0 | TERMINAL | DEBORNE | ANSCHLUBKLEMME | 2 | 2 | 2 | 2 | | # |
| 160 | 19237-6591-0 | TERMINAL | DEBORNE | ANSCHLUBKLEMME | ~XZ0500 | ~XZ0500 | ~XZ0500 | ~XZ0500 | | # |
| 170 | 16259-6583-0 | ASSY COUPLER, LOCK | ENS. COUPLEUR VERROU | GRP. KUPPLERKONTERMU. | YA0001 | YA0001 | YA0001 | YA0001 | | # |
| 170 | 1C010-6583-0 | ASY COUPLER | ENS. COUPLEUR | GRP. KUPPLER | ~XZ0500 | ~XZ0500 | ~XZ0500 | ~XZ0500 | | # |
| 176 | 1C010-6588-0 | CONNECTOR | CONNECTEUR | ANSCHLUBE | YA0001 | YA0001 | YA0001 | YA0001 | | # |
| 177 | 1C010-6591-0 | TERMINAL | DEBORNE | ANSCHLUBKLEMME | 2 | 2 | 2 | 2 | | # |
| 180 | 16239-6583-0 | ASSY COUPLER, RELAY | ENS. COUPLEUR RELAIS | GRP. KUPPLERRELAIS | YA0001 | YA0001 | YA0001 | YA0001 | | # |
| 190 | 16239-6588-0 | CONNECTOR | CONNECTEUR | ANSCHLUBE | ~XZ0500 | ~XZ0500 | ~XZ0500 | ~XZ0500 | | # |
| 200 | 16239-6577-0 | TERMINAL | DEBORNE | ANSCHLUBKLEMME | 2 | 2 | 2 | 2 | | # |
| 210 | 19838-6583-0 | ASSY COUPLER | ENS. COUPLEUR | GRP. KUPPLER | ~XZ0500 | ~XZ0500 | ~XZ0500 | ~XZ0500 | | # |

0402

ALTERNATOR AND PULLEY
ALTERNATEUR
WECHSELSTROMMASCHINE

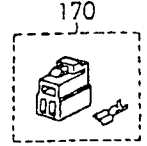
B16-L1

REV.NOV.10 '00

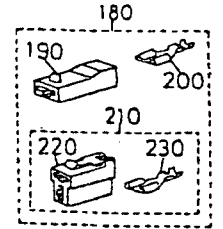


1E058-002-21

170 16259-6583-0



- 180 16239-6583-0
- 190 16239-6588-0
- 200 16239-6577-0
- 210 19838-6583-0
- 220 19872-6588-0
- 230 19237-6591-0



16285-806-10

A:V1505-BB(EBB)-EC-1 B:V1505-BB(EBB)-SAE-EC-1 C:V1505-BB(EBB)-EC-STD-3 D:V1505-BBS(EBBS)-EC-1

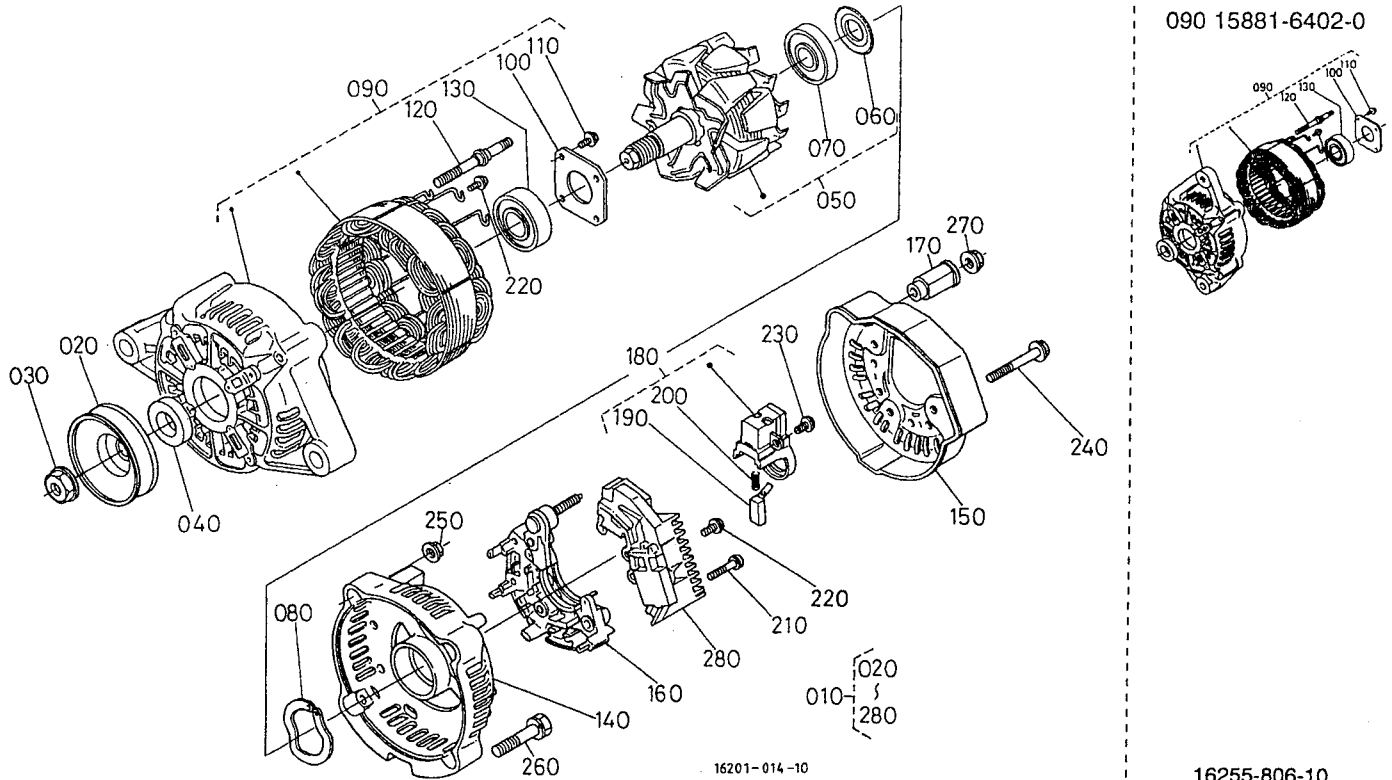
| REF. No. POS. No. BILD-Nr. | PART No. REFERENCE BESTELL-Nr. | PART NAME | DESIGNATION | BEZEICHNUNG | Q' TY/S. No. Q' TE/No. S. STUECK/S. Nr. | | | | I.C. | REMARKS REMARQUES BEMERKUNGEN |
|----------------------------------|--------------------------------------|-----------------------|-----------------------|-----------------------|---|---------|---------|---------|------|-------------------------------------|
| | | | | | A | B | C | D | | |
| 220 | 19872-6588-0 | CONNECTOR | CONNECTEUR | ANSCHLUBE | ~XZ0500 | ~XZ0500 | ~XZ0500 | ~XZ0500 | | # |
| 230 | 19237-6591-0 | TERMINAL | DEBORNE | ANSCHLUBKLEMME | ~XZ0500 | ~XZ0500 | ~XZ0500 | ~XZ0500 | | # |
| 240 | 16662-6583-0 | ASSY COUPLER, CONNec. | ENS. COUPLEUR CONNec. | GRP. KUPPLERANSCHLUBE | 1 | 1 | 1 | 1 | | |
| 250 | 19872-6584-0 | CONNECTOR | CONNECTEUR | ANSCHLUBE | 1 | 1 | 1 | 1 | | |
| 260 | 19237-6591-0 | TERMINAL | DEBORNE | ANSCHLUBKLEMME | 5 | 5 | 5 | 5 | | |
| 270 | 19215-6375-0 | TERMINAL | DEBORNE | ANSCHLUBKLEMME | 1 | 1 | 1 | 1 | | |
| 280 | 19844-6577-0 | TERMINAL | DEBORNE | ANSCHLUBKLEMME | 1 | 1 | 1 | 1 | | |
| | | | | | | | | | | |
| | | | | | | | | | | |
| | | | | | | | | | | |
| | | | | | | | | | | |
| | | | | | | | | | | |
| | | | | | | | | | | |
| | | | | | | | | | | |
| | | | | | | | | | | |
| | | | | | | | | | | |
| | | | | | | | | | | |
| | | | | | | | | | | |
| | | | | | | | | | | |
| | | | | | | | | | | |
| | | | | | | | | | | |
| | | | | | | | | | | |
| | | | | | | | | | | |

0403

ALTERNATOR (COMPONENT PARTS)
ALTERNATEUR (PARTIES COMPOSANTES)
WECHSELSTROMMASCHINE (EINZEL-TEIL)

B16-R

REV. NOV. 10 '00



16255-806-10

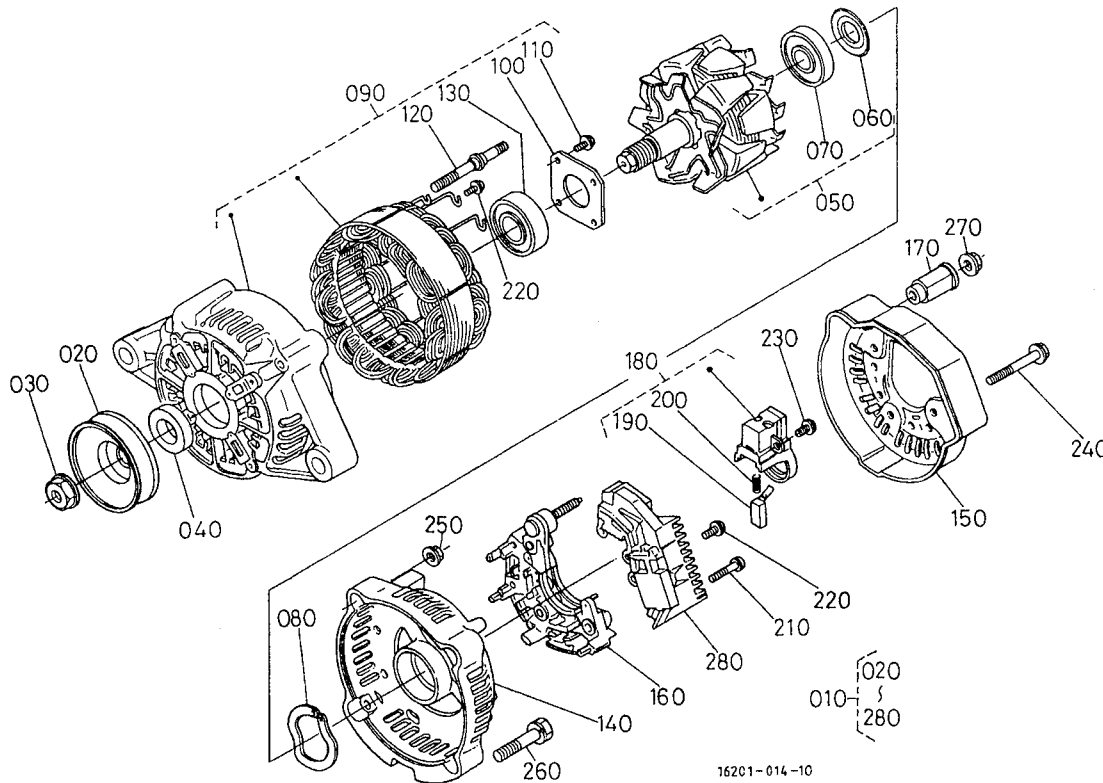
A:V1505-BB(EBB)-EC-1 B:V1505-BB(EBB)-SAE-EC-1 C:V1505-BB(EBB)-EC-STD-3 D:V1505-BBS(EBBS)-EC-1

| REF. No. POS. No. BILD-Nr. | PART No. REFERENCE BESTELL-Nr. | PART NAME | DESIGNATION | BEZEICHNUNG | Q' TY/S. No. Q' TE/No. S. STUECK/S. Nr. | | | | I.C. | REMARKS REMARQUES BEMERKUNGEN |
|----------------------------------|--------------------------------------|-----------------------|----------------------|-----------------------|---|---------|---------|---------|------|-------------------------------------|
| | | | | | A | B | C | D | | |
| 010 | 16241-6401-0 | ASSY ALTERNATOR | ALTERNATEUR COMPLET | GRP. WECHSELSTROMDYN. | ~XZ0500 | ~XZ0500 | ~XZ0500 | ~XZ0500 | | # |
| 010 | 16678-6401-0 | ASSY ALTERNATOR | ALTERNATEUR COMPLET | GRP. WECHSELSTROMDYN. | YA0001 | YA0001 | YA0001 | YA0001 | | # |
| 020 | 15881-6411-0 | PULLEY, DYNAMO | POULIE D'ALTERNATEUR | RIEMENSCHIEBE, DYNAMO | | | | | | |
| 030 | 15881-9201-0 | NUT | ECROU | MUTTER | 1 | 1 | 1 | 1 | | |
| 040 | 15881-6415-0 | COLLAR | COLLIER | HUELSE | 1 | 1 | 1 | 1 | | |
| 050 | 15881-6404-0 | ROTOR | ROTOR | ROTOR | ~XZ0500 | ~XZ0500 | ~XZ0500 | ~XZ0500 | | # |
| 050 | 66436-6404-0 | ASSY ROTOR | ENS. ROTOR | GRP. ROTOR | YA0001 | YA0001 | YA0001 | YA0001 | | # |
| 060 | 15881-6480-0 | COVER, BEARING | COUVERCLE | DECKEL | 1 | 1 | 1 | 1 | | |
| 070 | 15881-6477-0 | BEARING, BALL | ROULEMENT A BILLES | KUGELLAGER | ~XZ0500 | ~XZ0500 | ~XZ0500 | ~XZ0500 | | # |
| 070 | 16652-6477-0 | BEARING, BALL | ROULEMENT A BILLES | KUGELLAGER | YA0001 | YA0001 | YA0001 | YA0001 | | # |
| 080 | 15881-6481-0 | WASHER, THRUST | RONDELLE DE BUTEE | DRUCKSCHEIBE | 1 | 1 | 1 | 1 | | |
| 090 | 15881-6402-0 | FRAME, DRIVE END | BATI | ANTRIEBSRAHMEN | ~XZ0500 | ~XZ0500 | ~XZ0500 | ~XZ0500 | | # |
| 090 | 66436-6402-0 | ASSY FRAME, DRIVE END | ENS. BATI ARRIERE | GRP. ANTRIEBSRAHMEN | YA0001 | YA0001 | YA0001 | YA0001 | | # |
| 100 | 15881-6471-0 | PLATE, RETAINER | PLAQUE RETENUE | HALTEPLATTE | 1 | 1 | 1 | 1 | | |
| 110 | 15881-9301-0 | SCREW, ROUND HEAD | VIS A TETE RONDE | RUNDKOPFSCHRAUBE | 4 | 4 | 4 | 4 | | |
| 120 | 15881-6426-0 | BOLT, THROUGH | VIS, PASSANT | DURCHGEHENDERBOLZEN | 2 | 2 | 2 | 2 | | |
| 130 | 15881-6478-0 | BEARING, BALL | ROULEMENT A BILLES | KUGELLAGER | ~XZ0500 | ~XZ0500 | ~XZ0500 | ~XZ0500 | | # |
| 130 | 16652-6478-0 | BEARING, BALL | ROULEMENT A BILLES | KUGELLAGER | YA0001 | YA0001 | YA0001 | YA0001 | | # |
| 140 | 16241-6406-0 | FRAME, END | BATI | RAHMEN | 1 | 1 | 1 | 1 | | |
| 150 | 16241-6423-0 | COVER, END | PALIER ARRIERE | DECKEL | ~XZ0500 | ~XZ0500 | ~XZ0500 | ~XZ0500 | | # |
| 150 | 16678-6423-0 | COVER, END | PALIER ARRIERE | DECKEL | YA0001 | YA0001 | YA0001 | YA0001 | | # |
| 160 | 16241-6485-0 | ASSY RECTIFIER | REDRESSEUR | MONT. GLEICHRICHTER | ~XZ0500 | ~XZ0500 | ~XZ0500 | ~XZ0500 | | # |
| 160 | 15881-6485-0 | ASSY RECTIFIER | REDRESSEUR | MONT. GLEICHRICHTER | YA0001 | YA0001 | YA0001 | YA0001 | | # |
| 170 | 16241-6490-0 | BUSH, INSULATION | BAGUE ISOLANTE | BUCHSE | ~XZ0500 | ~XZ0500 | ~XZ0500 | ~XZ0500 | | # |
| 170 | 15881-6490-0 | BUSH, INSULATION | BAGUE ISOLANTE | BUCHSE | YA0001 | YA0001 | YA0001 | YA0001 | | # |
| 180 | 15881-6431-0 | HOLDER, BRUSH | PORTE-BALAI | BUERSTEN HALTER | ~XZ0500 | ~XZ0500 | ~XZ0500 | ~XZ0500 | | # |
| 180 | 16652-6431-0 | HOLDER, BRUSH | PORTE-BALAI | BUERSTEN HALTER | YA0001 | YA0001 | YA0001 | YA0001 | | # |
| 190 | 15881-6409-0 | BRUSH | PATTE D'ATTACHE | BUERSTE | 2 | 2 | 2 | 2 | | |
| 200 | 15881-6433-0 | SPRING, BRUSH | RESSORT DE BALAI | SCHLEIFBUERSTENFEDER | 2 | 2 | 2 | 2 | | |
| 210 | 15881-9302-0 | SCREW, ROUND HEAD | VIS A TETE RONDE | RUNDKOPFSCHRAUBE | 2 | 2 | 2 | 2 | | |

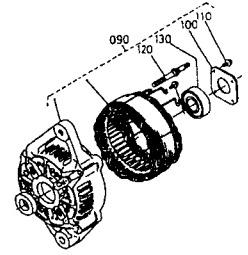
0403

 ALTERNATOR (COMPONENT PARTS)
 ALTERNATEUR (PARTIES COMPOSANTES)
 WECHSELSTROMMASCHINE (EINZEL-TEIL)
B16-R1

REV. NOV.10 '00



090 15881-6402-0



A: V1505-BB(EBB)-EC-1 B: V1505-BB(EBB)-SAE-EC-1 C: V1505-BB(EBB)-EC-STD-3 D: V1505-BBS(EBBS)-EC-1

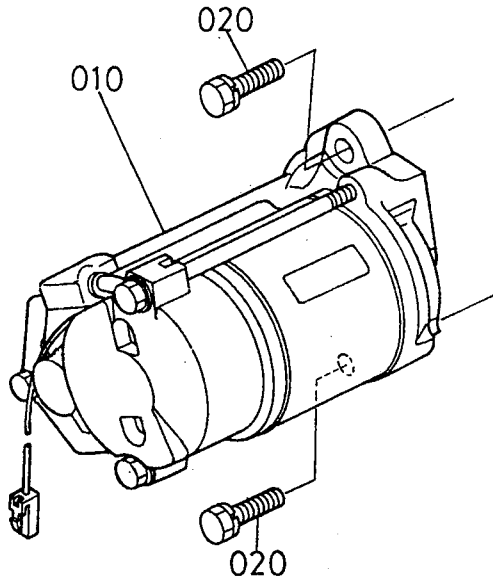
| REF No. POS No. BILD-Nr. | PART No. REFERENCE BESTELL-Nr. | PART NAME | DESIGNATION | BEZEICHNUNG | QTY/S. No. QTE/No. S. STUECK/S. Nr. | | | | I.C. | REMARKS REMARQUES BEMERKUNGEN |
|--------------------------------|--------------------------------------|-------------------|------------------|------------------|---|--------------|--------------|--------------|------|-------------------------------------|
| | | | | | A | B | C | D | | |
| 220 | 15881-9303-0 | SCREW, ROUND HEAD | VIS A TETE RONDE | RUNDKOPFSCHRAUBE | 2 | 2 | 2 | 2 | | |
| 230 | 15881-9304-0 | SCREW, ROUND HEAD | VIS A TETE RONDE | RUNDKOPFSCHRAUBE | 1 | 1 | 1 | 1 | | |
| 240 | 15881-9104-0 | BOLT | VIS | BOLZEN | 3 | 3 | 3 | 3 | | |
| 250 | 15881-9202-0 | NUT | ECROU | MUTTER | 2 | 2 | 2 | 2 | | |
| 260 | 15881-9105-0 | BOLT | VIS | BOLZEN | 2 | 2 | 2 | 2 | | |
| 270 | 14182-9203-0 | NUT | ECROU | MUTTER | 1 | 1 | 1 | 1 | | |
| 280 | 15881-6460-0 | ASSY REGULATOR | REGULATEUR | REGULATOR | 1 ~XZ0500 | 1 ~XZ0500 | 1 ~XZ0500 | 1 ~XZ0500 | | # |
| 280 | 16652-6460-0 | ASSY REGULATOR | REGULATEUR | REGULATOR | 1 YA0001 | 1 YA0001 | 1 YA0001 | 1 YA0001 | | # |

0404

STARTER
 DEMARREUR
 ANLASSER

C01-L

REV.NOV.10 '00



16614-022-10

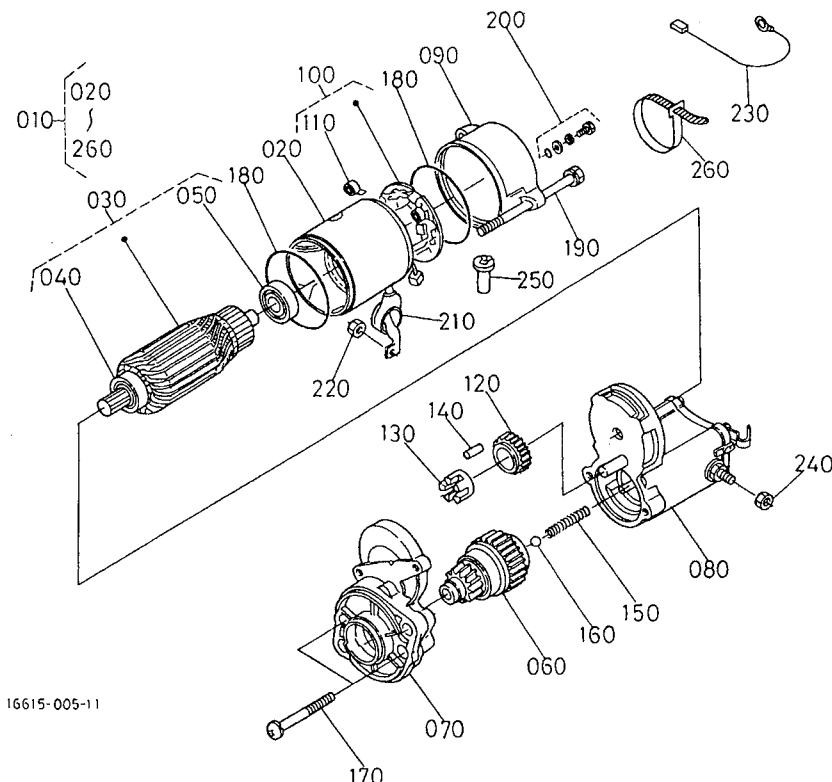
A:V1505-BB(EBB)-EC-1 B:V1505-BB(EBB)-SAE-EC-1 C:V1505-BB(EBB)-EC-STD-3 D:V1505-BBS(EBBS)-EC-1

| REF No POS No BILD-Nr | PART No. REFERENCE BESTELL-Nr. | PART NAME | DESIGNATION | BEZEICHNUNG | Q'TY/S.No. Q'TE/No.S. STUECK/S.Nr. | | | | I.C. | REMARKS REMARQUES BEMERKUNGEN |
|-----------------------------|--------------------------------------|--------------|----------------|---------------|--|--------------|--------------|--------------|------|-------------------------------------|
| | | | | | A | B | C | D | | |
| 010 | 16614-6301-0 | ASSY STARTER | ENS. DEMARREUR | GRP. ANLASSER | ~363589 1 | ~363589 1 | ~363589 1 | ~363589 1 | | |
| 010 | 37560-6301-0 | ASSY STARTER | ENS. DEMARREUR | GRP. ANLASSER | 363590 1 | 363590 1 | 363590 1 | 363590 1 | | |
| 010 | 16611-6301-0 | ASSY STARTER | ENS. DEMARREUR | GRP. ANLASSER | 431831 1 | 431831 1 | 431831 1 | 431831 1 | | |
| 020 | 01123-50830 | BOLT | VIS | BOLZEN | ~WT2678 2 | ~WT2678 2 | ~WT2678 2 | ~WT2678 2 | | # |
| 020 | 01123-50825 | BOLT | VIS | BOLZEN | WU0001 2 | WU0001 2 | WU0001 2 | WU0001 2 | | # |
| | | | | | | | | | | |
| | | | | | | | | | | |
| | | | | | | | | | | |
| | | | | | | | | | | |
| | | | | | | | | | | |
| | | | | | | | | | | |
| | | | | | | | | | | |
| | | | | | | | | | | |
| | | | | | | | | | | |
| | | | | | | | | | | |
| | | | | | | | | | | |
| | | | | | | | | | | |
| | | | | | | | | | | |
| | | | | | | | | | | |
| | | | | | | | | | | |
| | | | | | | | | | | |

040503 STARTER (COMPONENT PARTS)
 DEMARREUR (PARTIES COMPOSANTES)
 ANLASSER (EINZEL-TEIL)
 S. NO. [=>431831]

C02-R

REV.NOV.10 '00



A:V1505-BB(EBB)-EC-1 B:V1505-BB(EBB)-SAE-EC-1 C:V1505-BB(EBB)-EC-STD-3 D:V1505-BBS(EBBS)-EC-1

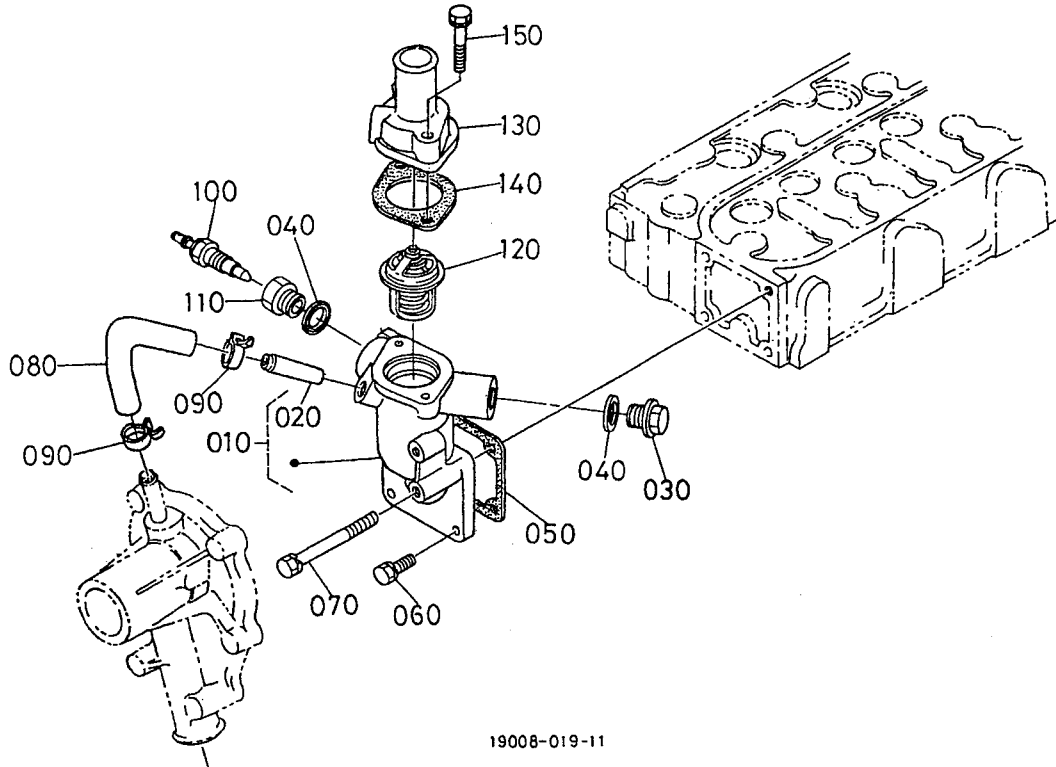
| REF No POS No BILD-Nr | PART No. REFERENCE BESTELL-Nr. | PART NAME | DESIGNATION | BEZEICHNUNG | Q' TY/S, No. Q' TE/No. S. STUECK/S. Nr. | | | | I.C. | REMARKS REMARQUES BEMERKUNGEN |
|-----------------------------|--------------------------------------|-----------------------|---------------------|----------------------|---|---------|---------|---------|------|-------------------------------------|
| | | | | | A | B | C | D | | |
| 010 | 16611-6301-0 | ASSY STARTER | ENS. DEMARREUR | GRP. ANLASSER | | | | | | |
| 020 | 11197-6308-0 | ASSY YOKE | ENS. CHAPE | GRP. GABELGELENK | ~31856 | ~31856 | ~31856 | ~31856 | | |
| 020 | 16661-6308-0 | ASSY YOKE | ENS. CHAPE | GRP. GABELGELENK | 31857~ | 31857~ | 31857~ | 31857~ | | |
| 030 | 11197-6307-0 | ASSY ARMATURE | ENS. ARMATURE | GRP. ARMATUR | 1 | 1 | 1 | 1 | | |
| 040 | 11460-6350-0 | BEARING | ROULEMENT | LAGER | 1 | 1 | 1 | 1 | | |
| 050 | 11460-6353-0 | BEARING | ROULEMENT | LAGER | 1 | 1 | 1 | 1 | | |
| 060 | 16611-6304-0 | CLUTCH, OVER RUNNING | EMBRAYAGE A INERTIE | AUFLAUFKUPPLUNG | 1 | 1 | 1 | 1 | | |
| 070 | 16611-6303-0 | FRAME, DRIVE END | BATI | ANTRIEBSRAHMEN | 1 | 1 | 1 | 1 | | |
| 080 | 16285-6302-0 | ASSY SWITCH, MAGNETIC | SOLENOIDE | GRP. MAGNETSCHALTER | ~WP2119 | ~WP2119 | ~WP2119 | ~WP2119 | | # |
| 080 | 16611-6302-0 | ASSY SWITCH, MAGNETIC | SOLENOIDE | GRP. MAGNETSCHALTER | W00001~ | W00001~ | W00001~ | W00001~ | | # |
| 090 | 17341-6320-0 | FRAME, END | BATI | RAHMEN | 1 | 1 | 1 | 1 | | |
| 100 | 11197-6338-0 | ASSY HOLDER, BRUSH | ENS. SUPPORT | GRP. BUERSTENHALTER | 1 | 1 | 1 | 1 | | |
| 110 | 15401-6339-0 | SPRING, BRUSH | RESSORT DE BALAI | SCHLEIFBUERSTENFEDER | 4 | 4 | 4 | 4 | | |
| 120 | 11460-6327-0 | GEAR | ENGRENAGE | GETRIEBE | 1 | 1 | 1 | 1 | | |
| 130 | 11460-6311-0 | RETAINER | SUPPORT | HALTESCHEIBE | 1 | 1 | 1 | 1 | | |
| 140 | 19212-6310-0 | ROLLER | ROULEAU | ROLLE | 5 | 5 | 5 | 5 | | |
| 150 | 11460-6312-0 | SPRING | RESSORT | FEDER | 1 | 1 | 1 | 1 | | |
| 160 | 19212-9713-0 | BALL | BILLE | KUGEL | 1 | 1 | 1 | 1 | | |
| 170 | 11460-9331-0 | BOLT | VIS | BOLZEN | 2 | 2 | 2 | 2 | | |
| 180 | 15511-9666-0 | O RING | JOINT TORIQUE | O RING | 2 | 2 | 2 | 2 | | |
| 190 | 11197-6332-0 | BOLT | VIS | BOLZEN | 2 | 2 | 2 | 2 | | |
| 200 | 15511-6376-0 | ASSY BOLT | ENS. VIS | GRP. BOLZEN | 2 | 2 | 2 | 2 | | |
| 210 | 16611-6345-0 | COVER | COUVERCLE | DECKEL | 1 | 1 | 1 | 1 | | |
| 220 | 16611-9202-0 | NUT, HEXAGON | ECROU HEXAGONAL | MUTTER | 1 | 1 | 1 | 1 | | |
| 230 | 16611-6366-0 | CORD, STOP SOLENOID | PRISE DE SOLENOIDE | CABLESTOPSOLENOID | 1 | 1 | 1 | 1 | | |
| 240 | 16285-9201-0 | NUT, HEXAGON | ECROU HEXAGONAL | MUTTER | 1 | 1 | 1 | 1 | | |
| 250 | 16285-6357-0 | PIPE, DRAIN | TUYAU DE DRAINAGE | DRANLEITUNG | 1 | 1 | 1 | 1 | | |
| 260 | 16612-6310-0 | BAND, COVER | BANDE, COUVERCLE | FLACHRIEMEN | 1 | 1 | 1 | 1 | | |

050002

WATER FLANGE AND THERMOSTAT
 BRIDE A EAU ET THERMOSTAT
 WASSERFLANSCH UND THERMOSTAT
 S. NO. (=110327)

C04-L

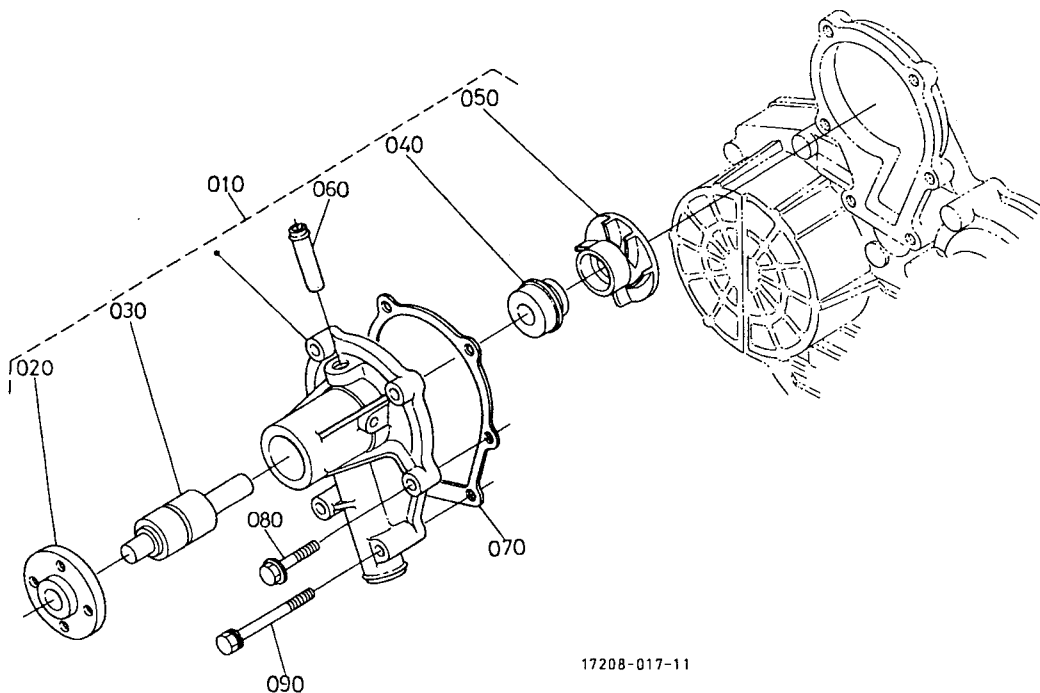
REV. NOV. 10 '00



19008-019-11

A:V1505-BB(EBB)-EC-1 B:V1505-BB(EBB)-SAE-EC-1 C:V1505-BB(EBB)-EC-STD-3 D:V1505-BBS(EBBS)-EC-1

| REF. No. POS. No. BILD-Nr. | PART No. REFERENCE BESTELL-Nr. | PART NAME | DESIGNATION | BEZEICHNUNG | Q' TY/S. No. Q' TE/No. S. STUECK/S. Nr. | | | | I.C. | REMARKS REMARQUES BEMERKUNGEN |
|----------------------------------|--------------------------------------|----------------------|-----------------------|-----------------------|---|---|---|---|------|-------------------------------------|
| | | | | | A | B | C | D | | |
| 010 | 19008-7270-0 | COMP FLANGE, WATER | ENS. BRIDE A EAU | KOMP. FLANSCH | 1 | 1 | 1 | 1 | | |
| 020 | 16241-7337-0 | PIPE, WATER RETURN | TUYAU RETOUR D'EAU | WASSERROHR | 1 | 1 | 1 | 1 | | |
| 030 | 06311-55030 | PLUG | BOUCHON | STOPFEN | 1 | 1 | 1 | 1 | | |
| 040 | 16261-9671-0 | GASKET | JOINT | DICHTUNGSPLATTE | 2 | 2 | 2 | 2 | | |
| 050 | 16264-7292-0 | GASKET, WATER FLANGE | JOINT DE BRIDE | DICHTUNG | 1 | 1 | 1 | 1 | | |
| 060 | 01023-50616 | BOLT | VIS | BOLZEN | 5 | 5 | 5 | 5 | | |
| 070 | 01023-50655 | BOLT | VIS | BOLZEN | 1 | 1 | 1 | 1 | | |
| 080 | 16241-7335-0 | PIPE, WATER RETURN | TUYAU RETOUR D'EAU | WASSERROHR | 1 | 1 | 1 | 1 | | |
| 090 | 16241-7336-0 | BAND, PIPE | COLLIER DE TUYAU | ROHRBAND | 2 | 2 | 2 | 2 | | |
| 100 | 16222-8304-0 | ASSY THERMOSWITCH | ENS. THERMOINTERRUPT. | GRP. THERMOZUENDSCHA. | 1 | 1 | 1 | 1 | | |
| 110 | 16222-7284-0 | ADAPTER | ADAPTEUR | ZWISCHENSTUECK | 1 | 1 | 1 | 1 | | |
| 120 | 19434-7301-0 | ASSY THERMOSTAT | THERMOSTAT COMP | GRP. THERMOSTAT | 1 | 1 | 1 | 1 | | |
| 130 | 16219-7326-0 | COVER, THERMOSTAT | COUV. DE THERMOSTAT | DECKEL, THERMOSTAT | 1 | 1 | 1 | 1 | | |
| 140 | 15313-7327-0 | GASKET, THERMOSTAT | JOINT | DICHTUNG | 1 | 1 | 1 | 1 | | # |
| 140 | 16221-7327-0 | GASKET, THERMOSTAT | JOINT | DICHTUNG | 1 | 1 | 1 | 1 | | # |
| 150 | 01123-50835 | BOLT | VIS | BOLZEN | 2 | 2 | 2 | 2 | | |



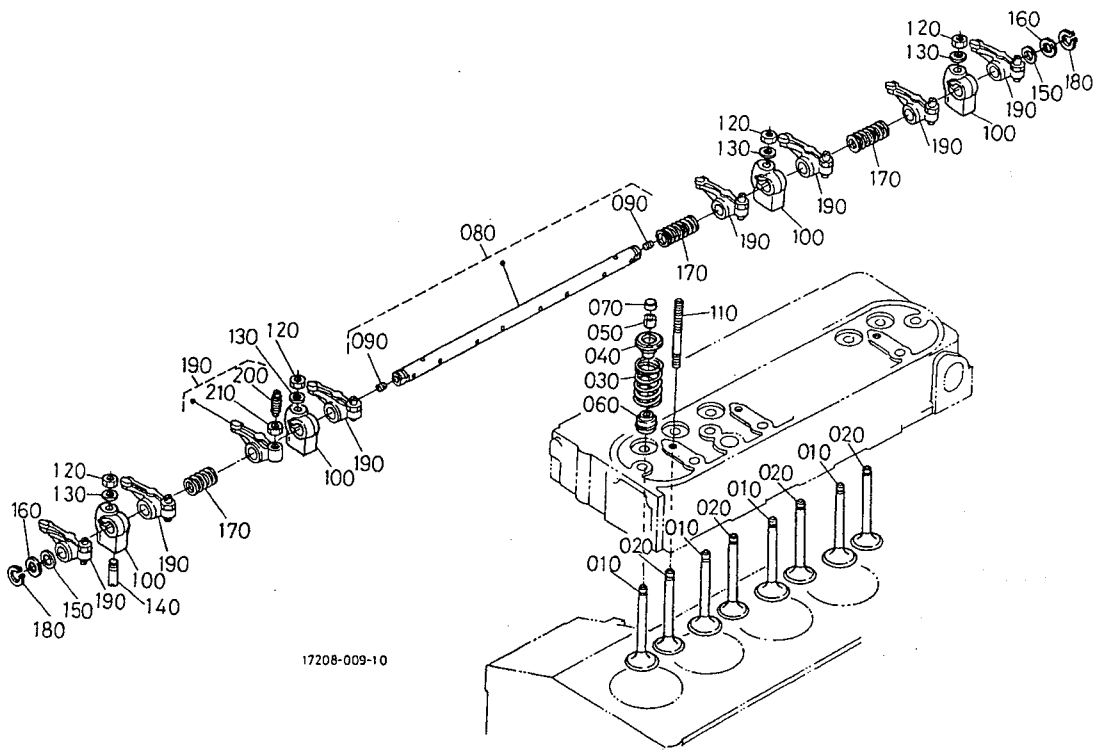
A:V1505-BB(EBB)-EC-1 B:V1505-BB(EBB)-SAE-EC-1 C:V1505-BB(EBB)-EC-STD-3 D:V1505-BBS(EBBS)-EC-1

| REF. No. POS. No. BILD-Nr. | PART No. REFERENCE BESTELL-Nr. | PART NAME | DESIGNATION | BEZEICHNUNG | Q'TY/S. No. Q'TE/No. S. STUECK/S. Nr. | | | | I.C. | REMARKS REMARQUES BEMERKUNGEN |
|----------------------------------|--------------------------------------|-----------------------|----------------------|-----------------------|---|--------------|--------------|--------------|------|-------------------------------------|
| | | | | | A | B | C | D | | |
| 010 | 16241-7303-0 | ASSY PUMP, WATER | ENS. POMPE A EAU | GRUPPE WASSERPUMPE | ~586327 | ~586327 | ~586327 | ~586327 | | |
| 010 | 16241-7303-2 | ASSY PUMP, WATER | ENS. POMPE A EAU | GRUPPE WASSERPUMPE | 586328 | ~586328 | ~586328 | ~586328 | | |
| 020 | 16241-7352-0 | FLANGE, WATER PUMP | BRIDE DE POMPE A EAU | FLANSCH, PUMPE | 1 | 1 | 1 | 1 | | |
| 030 | 16241-7355-0 | BEARING | ROULEMENT | LAGER | 1 | 1 | 1 | 1 | | |
| 040 | 16241-7305-0 | ASSY SEAL, MECHANICAL | ENS. JOINT MECANIQUE | GRP. MECH. DICHUNG | ~586327 | ~586327 | ~586327 | ~586327 | | |
| 040 | 16241-7305-2 | ASSY SEAL, MECHANICAL | ENS. JOINT MECANIQUE | GRP. MECH. DICHUNG | 586328 | ~586328 | ~586328 | ~586328 | | |
| 050 | 16241-7351-0 | IMPELLER, WATER PUMP | TURBINE DE POMP | FLUEGELRAD | 1 | 1 | 1 | 1 | | |
| 060 | 16241-7334-0 | PIPE, WATER RETURN | TUYAU RETOUR D'EAU | WASSERROHR | 1 | 1 | 1 | 1 | | |
| 070 | 16261-7343-0 | GASKET, WATER PUMP | JOINT DE POMPE A EAU | DICHTUNG, WASSERPUMPE | 1 | 1 | 1 | 1 | | |
| 080 | 01023-50630 | BOLT | VIS | BOLZEN | 4 ~WF5452 | 4 ~WF5452 | 4 ~WF5452 | 4 ~WF5452 | | # |
| 080 | 01754-50625 | BOLT, FLANGE | VIS DE BUTEE | FLANSCHEN-BOLZEN | 4 WG0001 | 4 WG0001 | 4 WG0001 | 4 WG0001 | | # |
| 090 | 01023-50680 | BOLT | VIS | BOLZEN | 2 | 2 | 2 | 2 | | |
| | | | | | | | | | | |
| | | | | | | | | | | |
| | | | | | | | | | | |
| | | | | | | | | | | |
| | | | | | | | | | | |
| | | | | | | | | | | |
| | | | | | | | | | | |
| | | | | | | | | | | |
| | | | | | | | | | | |
| | | | | | | | | | | |
| | | | | | | | | | | |
| | | | | | | | | | | |

060001 VALVE AND ROCKER ARM
SOUPAPES, CULBUTEURS
VENTIL, KIPPENARM
S. NO. [<=WD2666]

C06-R

REV.NOV.10 '00



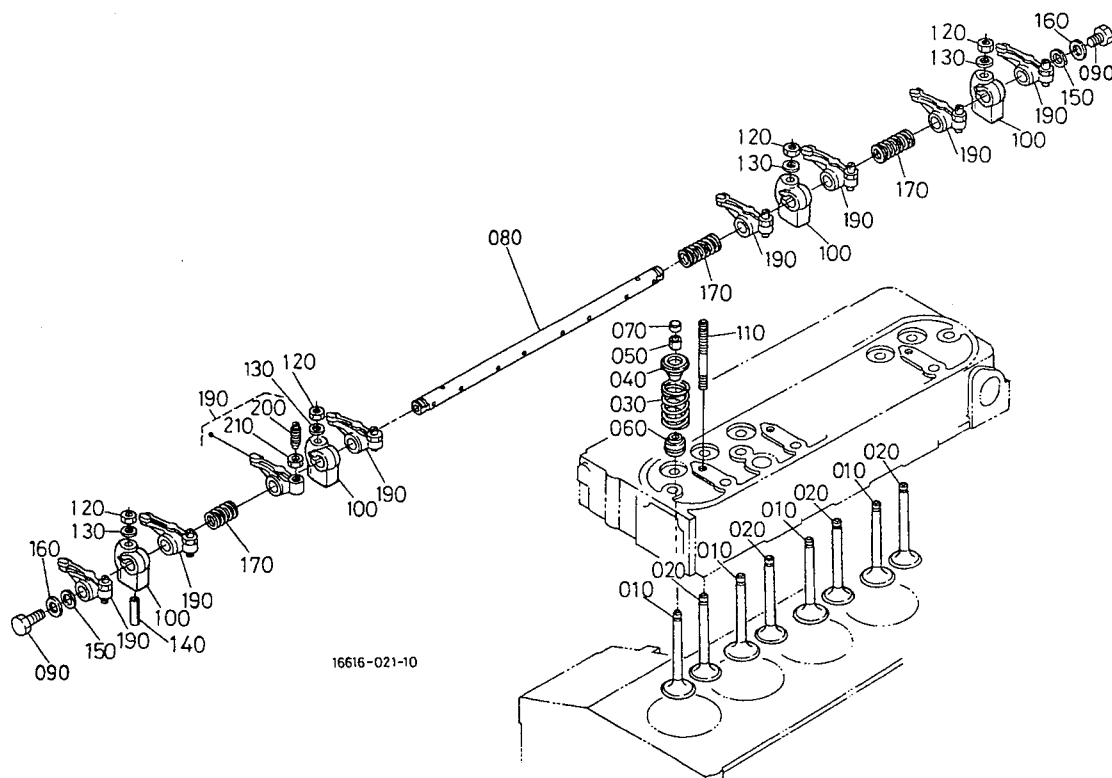
A:V1505-BB(EBB)-EC-1 B:V1505-BB(EBB)-SAE-EC-1 C:V1505-BB(EBB)-EC-STD-3 D:V1505-BBS(EBBS)-EC-1

| REF. No. POS No. BLD-Nr. | PART No. REFERENCE BESTELL-Nr. | PART NAME | DESIGNATION | BEZEICHNUNG | Q' TY/S. No. Q' TE/No. S. STUECK/S. Nr. | | | | REMARKS REMARQUES BEMERKUNGEN |
|--------------------------------|--------------------------------------|------------------------|-----------------------|---------------------|---|---|---|---|-------------------------------------|
| | | | | | A | B | C | D | |
| 010 | 16241-1311-0 | VALVE, INLET | SOUPAPE D' ADMSSION | EINLASSVENTIL | 4 | 4 | 4 | 4 | |
| 020 | 16241-1312-0 | VALVE, EXHAUST | SOUPAPE D' ECHAPMENT | AUSLASSVENTIL | 4 | 4 | 4 | 4 | |
| 030 | 16271-1324-0 | SPRING, VALVE | RESSORT DE SOUPAPE | VENTIL-FEDER | 8 | 8 | 8 | 8 | |
| 040 | 16241-1333-0 | RETAINER, VALVE SP. | CUVETTE SUPERIEURE | ZURUECKHALTER | 8 | 8 | 8 | 8 | |
| 050 | 15261-1336-0 | COLLET | DEMI CLAVETTE | KLEMMSCHEIBE | 8 | 8 | 8 | 8 | SET |
| 060 | 16241-1315-0 | SEAL, VALVE STEM | JOINT DE SOUPAPE | VENTILDICHTUNG | 8 | 8 | 8 | 8 | |
| 070 | 16241-1328-0 | CAP, VALVE | CHAPEAU DE SOUPAPE | VENTILKAPPE | 8 | 8 | 8 | 8 | |
| 080 | 16241-1405-0 | ASSY SHAFT, R-ARM | ENS. AXE DE CULBUTEUR | GRP. KIPPHEBELACHSE | 1 | 1 | 1 | 1 | |
| 090 | 03410-50606 | SCREW, SET | VIS D' ARRET | ANSCHLAGSCHRAUBE | 2 | 2 | 2 | 2 | |
| 100 | 16241-1435-0 | BRACKET, ROCKER ARM | SUPPORT DE CULBUTEUR | KIPPHEBELHALTER | 4 | 4 | 4 | 4 | # CORRECTION |
| 110 | 16241-1441-0 | STUD | GOUJON | STEBOLZEN | 4 | 4 | 4 | 4 | # CORRECTION |
| 120 | 15261-9201-0 | NUT | ECROU | MUTTER | 4 | 4 | 4 | 4 | # CORRECTION |
| 130 | 15261-9401-0 | WASHER, PLAIN | RONDILLE FREIN | SCHEIBE | 4 | 4 | 4 | 4 | # CORRECTION |
| 140 | 15261-1442-0 | SCREW, SET, ROCKER ARM | VIS | SCHRAUBE | 1 | 1 | 1 | 1 | # CORRECTION |
| 150 | 16241-1443-0 | WASHER, R-ARM, SHAFT | RONDILLE | SCHEIBE | 2 | 2 | 2 | 2 | # CORRECTION |
| 160 | 16241-1444-0 | WASHER, R-ARM, SHAFT | RONDILLE | SCHEIBE | 2 | 2 | 2 | 2 | # CORRECTION |
| 170 | 16241-1431-0 | SPRING, ROCKER ARM | RESSORT DE CULBUTEUR | FEDER, KIPPHEBEL | 3 | 3 | 3 | 3 | # CORRECTION |
| 180 | 04612-00120 | CIR CLIP, EXTERNAL | CIRCLIP | SPRENGRING, AUSSEN | 2 | 2 | 2 | 2 | # CORRECTION |
| 190 | 16241-1403-0 | ASSY ROCKER ARM | ENS. CULBUTEURS | GRP. KIPPHEBEL | 8 | 8 | 8 | 8 | # CORRECTION |
| 200 | 16241-1423-0 | SCREW, ADJUSTING | VIS DE REGLAGE | STELLSCHRAUBE | 8 | 8 | 8 | 8 | # CORRECTION |
| 210 | 16241-1424-0 | NUT | ECROU | MUTTER | 8 | 8 | 8 | 8 | # CORRECTION |
| | | | | | | | | | |
| | | | | | | | | | |
| | | | | | | | | | |
| | | | | | | | | | |
| | | | | | | | | | |
| | | | | | | | | | |
| | | | | | | | | | |
| | | | | | | | | | |
| | | | | | | | | | |

060002 VALVE AND ROCKER ARM
SOUPAPES, CULBUTEURS
VENTIL, KIPPENARM
#S. NO. [=WE0001]

C07-L

REV.NOV.10 '00



16616-021-10

A:V1505-BB(EBB)-EC-1 B:V1505-BB(EBB)-SAE-EC-1 C:V1505-BB(EBB)-EC-STD-3 D:V1505-BBS(EBBS)-EC-1

| REF No POS No BILD-Nr | PART No. REFERENCE BESTELL-Nr. | PART NAME | DESIGNATION | BEZEICHNUNG | Q' TY/S. No. Q' TE/No. S. STUECK/S. Nr. | | | | I.C. | REMARKS REMARQUES BEMERKUNGEN |
|-----------------------------|--------------------------------------|----------------------|----------------------|------------------|---|---|---|---|------|-------------------------------------|
| | | | | | A | B | C | D | | |
| 010 | 16241-1311-0 | VALVE, INLET | SOUPAPE D'ADMISSION | EINLASSVENTIL | 4 | 4 | 4 | 4 | | |
| 020 | 16241-1312-0 | VALVE, EXHAUST | SOUPAPE D'ECHAPMENT | AUSLASSVENTIL | 4 | 4 | 4 | 4 | | |
| 030 | 16271-1324-0 | SPRING, VALVE | RESSORT DE SOUPAPE | VENTIL-FEDER | 8 | 8 | 8 | 8 | | |
| 040 | 16241-1333-0 | RETAINER, VALVE SP. | CUVETTE SUPERIEURE | ZURUECKHALTER | 8 | 8 | 8 | 8 | | |
| 050 | 15261-1336-0 | COLLET, VALVE SPRING | DEMI CLAVETTE | KLEMMSCHEIBE | 8 | 8 | 8 | 8 | SET | |
| 060 | 1C010-1315-0 | SEAL, VALVE STEM | JOINT DE SOUPAPE | VENTILDICHTUNG | 8 | 8 | 8 | 8 | | |
| 070 | 16241-1328-0 | CAP, VALVE | CHAPEAU DE SOUPAPE | VENTILKAPPE | 8 | 8 | 8 | 8 | | |
| 080 | 16241-1426-4 | SHAFT, ROCKER ARM | ARBRE DE CULBUTEUR | KIPPHEBELWELLE | 1 | 1 | 1 | 1 | | |
| 090 | 01023-50610 | BOLT | VIS | BOLZEN | 2 | 2 | 2 | 2 | | |
| 100 | 16241-1435-0 | BRACKET, ROCKER ARM | SUPPORT DE CULBUTEUR | KIPPHEBELHALTER | 4 | 4 | 4 | 4 | | |
| 110 | 16241-1441-0 | STUD | GOUJON | STEBOLZEN | 4 | 4 | 4 | 4 | | |
| 120 | 15261-9201-0 | NUT | ECROU | MUTTER | 4 | 4 | 4 | 4 | | |
| 130 | 15261-9401-0 | WASHER, PLAIN | RONDELLE FREIN | SCHEIBE | 4 | 4 | 4 | 4 | | |
| 140 | 05411-00428 | PIN, SPRING | GOUPILLE-RESSORT | STIFT, FEDR | 1 | 1 | 1 | 1 | | |
| 150 | 16241-1443-0 | WASHER, R-ARM, SHAFT | RONDELLE | SCHEIBE | 2 | 2 | 2 | 2 | | |
| 160 | 15841-9402-2 | WASHER, PLAIN | RONDELLE FREIN | SCHEIBE | 2 | 2 | 2 | 2 | | |
| 170 | 16241-1431-0 | SPRING, ROCKER ARM | RESSORT DE CULBUTEUR | FEDER, KIPPHEBEL | 3 | 3 | 3 | 3 | | |
| 180 | ---- | BLANK | BLANC | LEERE SPALTE | - | - | - | - | | |
| 190 | 16241-1403-2 | ASSY ROCKER ARM | ENS. CULBUTEURS | GRP. KIPPHEBEL | 8 | 8 | 8 | 8 | | |
| 200 | 16241-1423-0 | SCREW, ADJUSTING | VIS DE REGLAGE | STELLSCHRAUBE | 8 | 8 | 8 | 8 | | |
| 210 | 16241-1424-0 | NUT | ECROU | MUTTER | 8 | 8 | 8 | 8 | | |

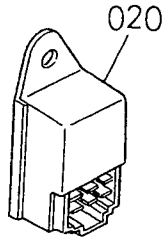
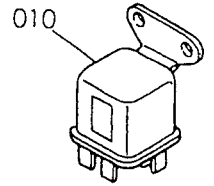
0800

GLOW PLUG · GLOW LAMP AND TIMER
 BOUGIE, DE PRECHAUFFAGE INDIC. BOUGIE ET TEMPORISA
 GULUEHKERZE, GLUEHLAMPE UND ZEITMESSER

C10-R

REV. NOV.10 '00

010 16259-6025-0



16255-019-10

16255-807-10

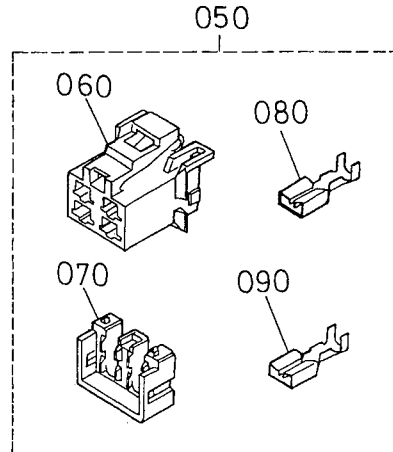
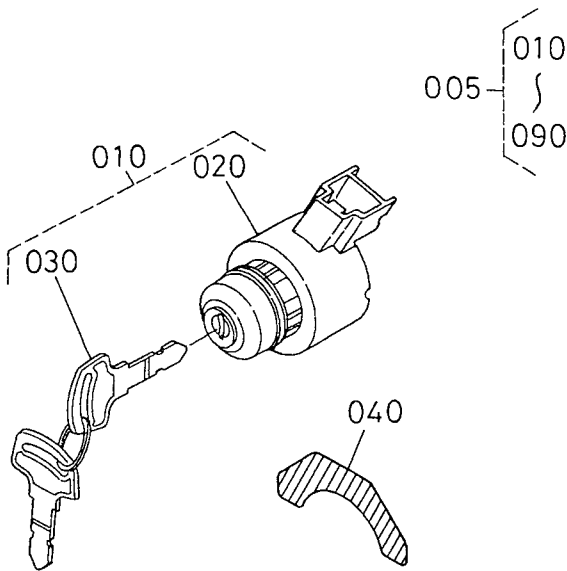
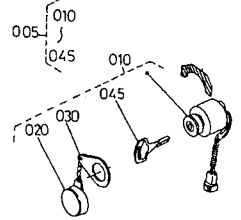
A:V1505-BB(EBB)-EC-1 B:V1505-BB(EBB)-SAE-EC-1 C:V1505-BB(EBB)-EC-STD-3 D:V1505-BBS(EBBS)-EC-1

| REF. No. POS. No. BLD. No. | PART No. REFERENCE BESTELL-Nr. | PART NAME | DESIGNATION | BEZEICHNUNG | Q' TY/S. No. Q' TE/No. S. STUECK/S. Nr. | | | | I.C. | REMARKS REMARQUES BEMERKUNGEN |
|----------------------------------|--------------------------------------|------------------|---------------|----------------|---|---------|---------|---------|------|-------------------------------------|
| | | | | | A | B | C | D | | |
| | | | | | | | | | | |
| 010 | 16259-6025-0 | ASSY RELAY | ENS. RELAIS | GRP. RELAIS | ~XZ0500 | ~XZ0500 | ~XZ0500 | ~XZ0500 | | # |
| 020 | 15694-6599-0 | TIMER, GLOW LAMP | TEMPORISATEUR | LAMPETREMBLEUR | 1 | 1 | 1 | 1 | | |
| | | | | | | | | | | |
| | | | | | | | | | | |
| | | | | | | | | | | |
| | | | | | | | | | | |
| | | | | | | | | | | |
| | | | | | | | | | | |
| | | | | | | | | | | |
| | | | | | | | | | | |
| | | | | | | | | | | |
| | | | | | | | | | | |
| | | | | | | | | | | |
| | | | | | | | | | | |
| | | | | | | | | | | |
| | | | | | | | | | | |
| | | | | | | | | | | |
| | | | | | | | | | | |
| | | | | | | | | | | |
| | | | | | | | | | | |
| | | | | | | | | | | |
| | | | | | | | | | | |
| | | | | | | | | | | |
| | | | | | | | | | | |
| | | | | | | | | | | |
| | | | | | | | | | | |
| | | | | | | | | | | |
| | | | | | | | | | | |

0801

**STARTER SWITCH
INTERRUPTEUR DE DEMARREU
ANLASSERSCHALTER**
C11-L

REV. NOV. 10 '00


 005 16286-6360-2
 010 37410-5911-0
 020 37410-5518-0
 030 66416-5517-0
 045 37410-5515-0


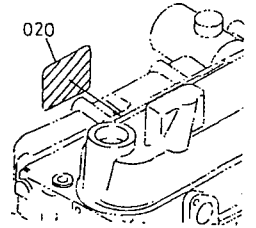
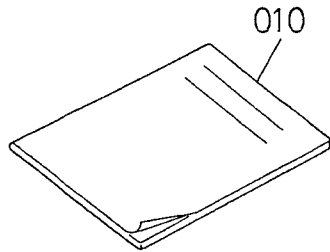
1G666-001-10

16255-808-10

A:V1505-BB(EBB)-EC-1 B:V1505-BB(EBB)-SAE-EC-1 C:V1505-BB(EBB)-EC-STD-3 D:V1505-BBS(EBBS)-EC-1

| REF No POS No BILD-Nr | PART No. REFERENCE BESTELL-Nr. | PART NAME | DESIGNATION | BEZEICHNUNG | Q' TY/S.No. Q' TE/No. S. STUECK/S. Nr. | | | | I.C. | REMARKS REMARQUES BEMERKUNGEN |
|-----------------------------|--------------------------------------|-----------------------|----------------------|---------------------|--|---|---|---------|------|-------------------------------------|
| | | | | | A | B | C | D | | |
| 005 | 16286-6360-2 | ASSY SWITCH, STARTER | ENS. INTERRUPTEUR | ANLASSERSCHALTER | - | - | - | ~WRO833 | 1 | # |
| 005 | 16613-6500-0 | KIT SWITCH, STARTER | ENS. INTERRUPTEUR | ANLASSERSCHALTER | - | - | - | WS0001 | 1 | # |
| 010 | 37410-5911-0 | ASSY SWITCH, STARTER | ENS. INTERRUPTEUR | ANLASSERSCHALTER | - | - | - | ~WRO833 | 1 | # |
| 010 | 15248-6359-0 | ASSY SWITCH, STARTER | ENS. INTERRUPTEUR | ANLASSERSCHALTER | - | - | - | WS0001 | 1 | # |
| 020 | 37410-5518-0 | CAP, STARTER SWITCH | CAPUCHON, INTERRUPT. | ABDECKUNG, ANLASSER | - | - | - | ~WRO833 | 1 | # |
| 020 | 6C040-5541-2 | SWITCH, STARTER | CONTACTEUR A CLE | ANLASSERSCHALTER | - | - | - | WS0001 | 1 | # |
| 030 | 66416-5517-0 | WASHER | RONDELLE | SCHIEBE | - | - | - | ~WRO833 | 1 | # |
| 030 | 15248-6370-0 | ASSY KEY | ENS. CLE | GRP. SCHLUESSEL | - | - | - | WS0001 | 1 | # |
| 040 | 11420-8752-0 | LABEL, STARTER SWITCH | ETIQUETTE | AUFKLEBER | - | - | - | | 1 | |
| 045 | 37410-5515-0 | KEY, STARTER | CLAVETTE DE DEMARRE. | KEL, ANLASSER | - | - | - | ~WRO833 | 1 | # |
| 050 | 16613-6583-0 | ASSY CONNECTOR | ENSEMBLE CONNECTEUR | MONT. VARBINDUNG | - | - | - | WS0001 | 1 | # |
| 060 | 16613-6588-0 | CONNECTOR | CONNECTEUR | ANSCHLUBE | - | - | - | WS0001 | 1 | # |
| 070 | 16613-6574-0 | STOPPER | BOUCHON | STOPFEN | - | - | - | WS0001 | 1 | # |
| 080 | 16613-6596-0 | TERMINAL | DEBORNE | ANSCHLUBKLEMME | - | - | - | WS0001 | 2 | # |
| 090 | 16613-6597-0 | TERMINAL | DEBORNE | ANSCHLUBKLEMME | - | - | - | WS0001 | 2 | # |
| | | | | | | | | | | |
| | | | | | | | | | | |
| | | | | | | | | | | |
| | | | | | | | | | | |
| | | | | | | | | | | |
| | | | | | | | | | | |
| | | | | | | | | | | |
| | | | | | | | | | | |
| | | | | | | | | | | |
| | | | | | | | | | | |
| | | | | | | | | | | |
| | | | | | | | | | | |
| | | | | | | | | | | |
| | | | | | | | | | | |
| | | | | | | | | | | |
| | | | | | | | | | | |
| | | | | | | | | | | |
| | | | | | | | | | | |

020 16285-8711-4



16201-028-10

16285-805-10

A:V1505-BB(EBB)-EC-1 B:V1505-BB(EBB)-SAE-EC-1 C:V1505-BB(EBB)-EC-STD-3 D:V1505-BBS(EBBS)-EC-1

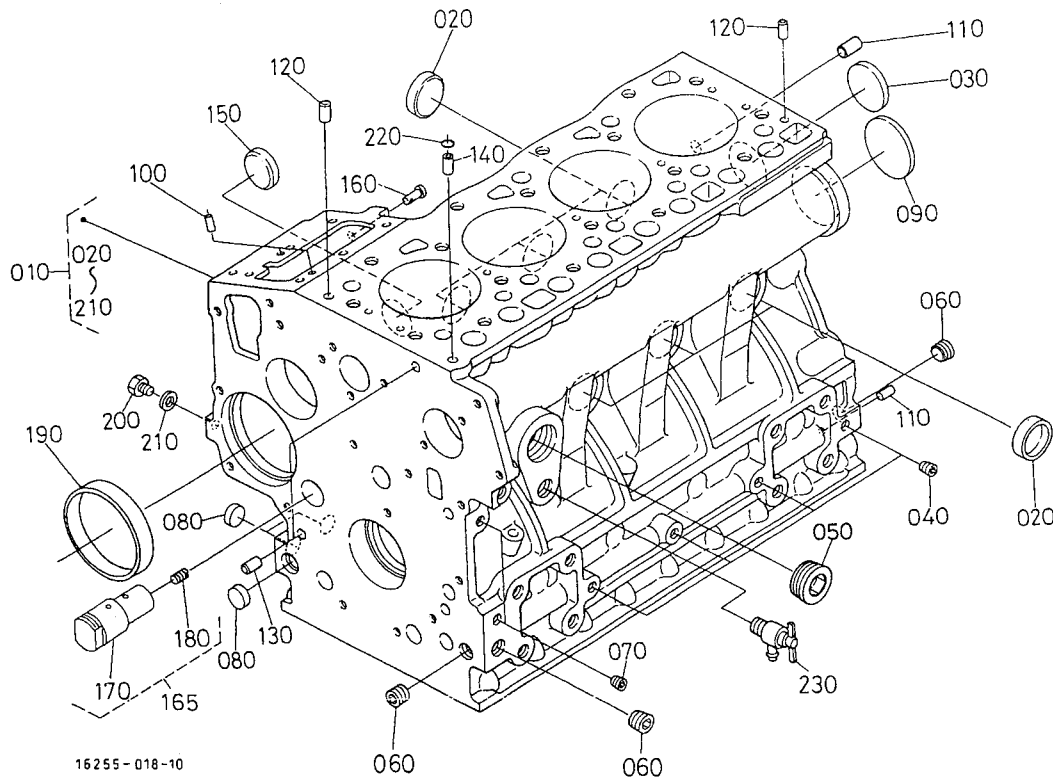
| REF.No. POS.No. BLD-Nr. | PART No. REFERENCE BESTELL-Nr. | PART NAME | DESIGNATION | BEZEICHNUNG | Q'TY/S.No. Q'TE/No.S. STUECK/S.Nr. | | | | I.C. | REMARKS REMARQUES BEMERKUNGEN |
|-------------------------------|--------------------------------------|---------------------|-----------------------|-------------------|--|---------|---------|---------|------|-------------------------------------|
| | | | | | A | B | C | D | | |
| 010 | 16616-8916-3 | MANUAL, INSTRUCTION | MANUEL D' INSTRUCTION | BETRIEBSANLEITUNG | ~681218 | ~681218 | ~681218 | ~681218 | ↕ | |
| 010 | 16622-8916-2 | MANUAL, INSTRUCTION | MANUEL D' INSTRUCTION | BETRIEBSANLEITUNG | 681219 | 681219 | 681219 | 681219 | ↕ | |
| 010 | 16622-8916-2 | MANUAL, INSTRUCTION | MANUEL D' INSTRUCTION | BETRIEBSANLEITUNG | ~741870 | ~741870 | ~741870 | ~741870 | | |
| 010 | 16622-8916-2 | MANUAL, INSTRUCTION | MANUEL D' INSTRUCTION | BETRIEBSANLEITUNG | 10001 | 10001 | 10001 | 10001 | ↕ | |
| 010 | 16622-8916-3 | MANUAL, INSTRUCTION | MANUEL D' INSTRUCTION | BETRIEBSANLEITUNG | 124822 | 124822 | 124822 | 124822 | ↕ | |
| 010 | 16622-8916-4 | MANUAL, INSTRUCTION | MANUEL D' INSTRUCTION | BETRIEBSANLEITUNG | X60001 | X60001 | X60001 | X60001 | ↕ | # |
| 020 | 16285-8711-3 | NAME PLATE, ENGINE | PLAQUE MOTEUR | BEZEICHNUNGSTAFEL | ~489915 | ~489915 | ~489915 | ~489915 | ↕ | |
| 020 | 16285-8711-4 | NAME PLATE, ENGINE | PLAQUE MOTEUR | BEZEICHNUNGSTAFEL | 489916 | 489916 | 489916 | 489916 | ↕ | |
| 020 | 16285-8711-4 | NAME PLATE, ENGINE | PLAQUE MOTEUR | BEZEICHNUNGSTAFEL | ~W22095 | ~W22095 | ~W22095 | ~W22095 | ↕ | # |
| | | | | | | | | | | |
| | | | | | | | | | | |
| | | | | | | | | | | |
| | | | | | | | | | | |
| | | | | | | | | | | |
| | | | | | | | | | | |
| | | | | | | | | | | |
| | | | | | | | | | | |
| | | | | | | | | | | |
| | | | | | | | | | | |
| | | | | | | | | | | |
| | | | | | | | | | | |
| | | | | | | | | | | |
| | | | | | | | | | | |
| | | | | | | | | | | |
| | | | | | | | | | | |
| | | | | | | | | | | |
| | | | | | | | | | | |
| | | | | | | | | | | |
| | | | | | | | | | | |

1001

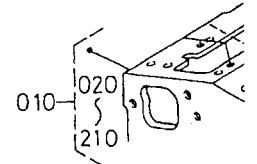
CRANK CASE
BLOC MOTEUR
KURBELGEHAUSE

C12-L

REV. NOV. 10 '00



010 17558-0101-2



16255-018-10

16285-807-10

A:V1505-BB(EBB)-EC-LT-1 B:V1505-BB(EBB)-EC-LT-STD-3

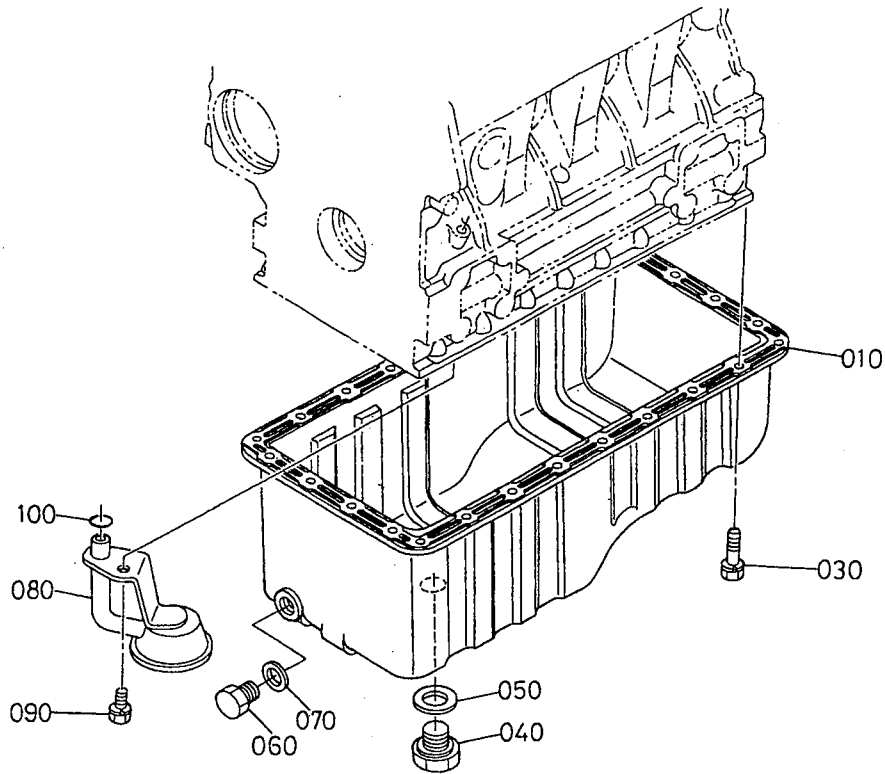
| REF.No. POS.No. BILD-Nr | PART No. REFERENCE BESTELL-Nr. | PART NAME | DESIGNATION | BEZEICHNUNG | Q' TY/S. No. Q' TE/No. S. STUECK/S. Nr. | | I. C. | REMARKS REMARQUES BEMERKUNGEN |
|-------------------------------|--------------------------------------|---------------------|------------------------|-----------------------|---|---------|-------|-------------------------------------|
| | | | | | A | B | | |
| 010 | 17558-0101-2 | COMP, CRANKCASE | BLOC MOTEUR COMPLET | KOMP. KURBELGEHAUSE | ~YD1625 | ~YD1625 | 1 | # |
| 010 | 17558-0101-3 | COMP, CRANKCASE | BLOC MOTEUR COMPLET | KOMP. KURBELGEHAUSE | YE0001 | YE0001 | 1 | # |
| 020 | 15451-9627-0 | CAP, SEALING | PASTILLE | STEPSSEL, ABDICHTU | 6 | 6 | | |
| 030 | 15221-0349-0 | CAP, SEALING | PASTILLE | STEPSSEL, ABDICHTU | 1 | 1 | | |
| 040 | 15261-9601-0 | PLUG | BOUCHON | STOPFEN | 4 | 4 | | |
| 050 | 16683-9602-0 | PLUG | BOUCHON | STOPFEN | 1 | 1 | | |
| 060 | 16241-9601-0 | PLUG | BOUCHON | STOPFEN | 3 | 3 | | |
| 070 | 15521-9602-0 | PLUG | BOUCHON | STOPFEN | 2 | 2 | | |
| 080 | 17391-9616-0 | PLUG, EXPANSION | BOUCHON EXPANSIBLE | STOEPSSEL, AUSDEHNUNG | 3 | 3 | | |
| 080 | 17391-9616-0 | PLUG, EXPANSION | BOUCHON EXPANSIBLE | STOEPSSEL, AUSDEHNUNG | 1 | 1 | | |
| 090 | 16271-9616-0 | PLUG, EXPANSION | BOUCHON EXPANSIBLE | STOEPSSEL, AUSDEHNUNG | 1 | 1 | | |
| 100 | 05012-00508 | PIN, STRAIGHT | GOUPILLE CYLINDRIQUE | ZYLINDERSTIFT | ~WT2678 | ~WT2678 | 2 | # |
| 100 | 16225-9451-0 | PIN, STRAIGHT | GOUPILLE CYLINDRIQUE | ZYLINDERSTIFT | WU0001 | WU0001 | 2 | # |
| 110 | 05012-00814 | PIN, STRAIGHT | GOUPILLE CYLINDRIQUE | ZYLINDERSTIFT | ~WT2678 | ~WT2678 | 2 | # |
| 110 | 16221-9453-0 | PIN, STRAIGHT | GOUPILLE CYLINDRIQUE | ZYLINDERSTIFT | WU0001 | WU0001 | 2 | # |
| 120 | 05012-00610 | PIN, STRAIGHT | GOUPILLE CYLINDRIQUE | ZYLINDERSTIFT | ~WT2678 | ~WT2678 | 2 | # |
| 120 | 16221-9452-0 | PIN, STRAIGHT | GOUPILLE CYLINDRIQUE | ZYLINDERSTIFT | WU0001 | WU0001 | 2 | # |
| 130 | 15231-3396-0 | PIN, PIPE | GICLEUR | ROHRSTIFT | 2 | 2 | | |
| 140 | 16241-3365-0 | PIN, PIPE | GICLEUR | ROHRSTIFT | 1 | 1 | | |
| 150 | 16241-9626-2 | PLUG, FUEL CAMSHAFT | BOUCHON | STOPFEN | 1 | 1 | | |
| 160 | 15221-5628-0 | PIN, START SPRING | GOUPILLE DU RESSORT | STARTFEDERSTIFT | ~WT2678 | ~WT2678 | 1 | # |
| 160 | 16221-5628-0 | PIN, START SPRING | GOUPILLE DU RESSORT | STARTFEDERSTIFT | WU0001 | WU0001 | 1 | # |
| 165 | 16241-2406-0 | COMP SHAFT, IDLE | COMP. ARBRE D' INTERM. | KOMP. FREILAUFWELLE | 1 | 1 | | # |
| 170 | 16241-2426-0 | SHAFT, IDLE GEAR | ARBRE DE PIGNON FOU | WELLE, FREILAUFGETR. | 1 | 1 | | |
| 180 | 15521-9361-0 | SCREW, SET | VIS D' ARRET | ANSCHLAGSCHRAUBE | 1 | 1 | | |
| 190 | 16271-5535-0 | BUSH, GOVERNOR GEAR | BAGUE DE REG. PIGNON | BUCHSE | 1 | 1 | | |
| 200 | 15221-3361-0 | PLUG | BOUCHON | STOPFEN | 1 | 1 | | |
| 210 | 15021-3366-0 | GASKET | JOINT | DICHTUNGSPLETTE | 1 | 1 | | |
| 220 | 15221-3370-0 | O RING | JOINT TORIQUE | O RING | 1 | 1 | | |
| 230 | 15841-7302-0 | ASSY COCK, DRAIN | ENS. ROBINET VIDANGE | GRP. ABLASSHAHN | 1 | 1 | | |

1002

OIL PAN
CARTER D' HUILE
OELWANNE

C12-R

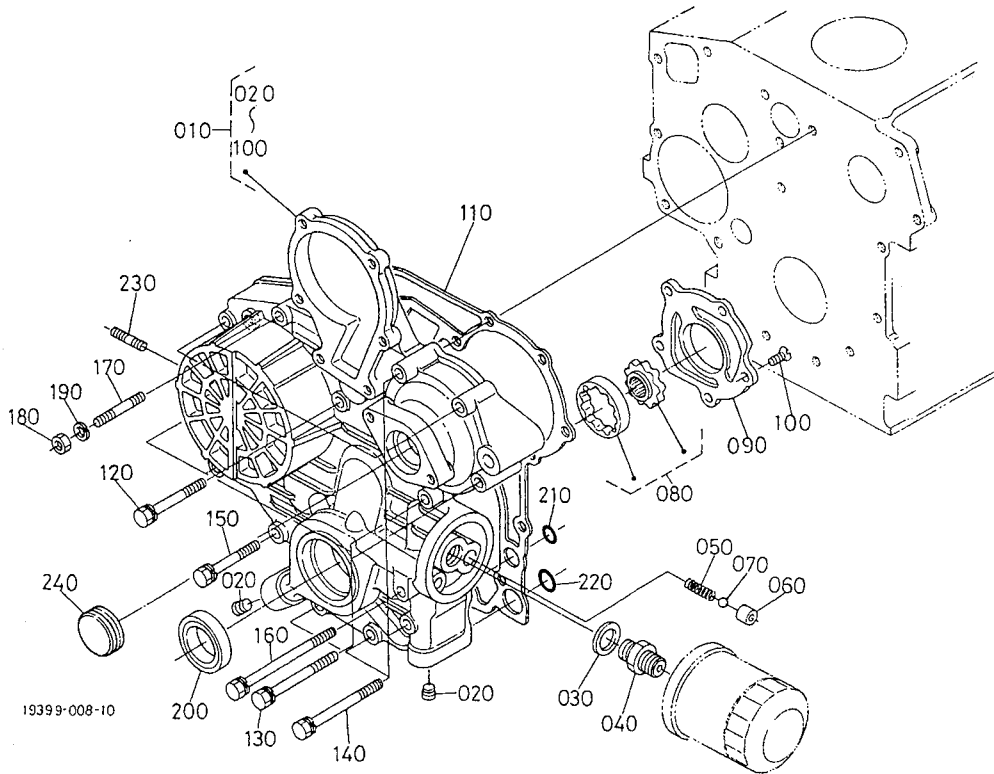
REV.NOV.10 '00



16615-001-11

A:V1505-BB(EBB)-EC-LT-1 B:V1505-BB(EBB)-EC-LT-STD-3

| REF.No. POS.No. BILD-Nr | PART No. REFERENCE BESTELL-Nr. | PART NAME | DESIGNATION | BEZEICHNUNG | Q' TY/S, No. Q' TE/No. S. STUECK/S. Nr. | | I. C. | REMARKS REMARQUES BEMERKUNGEN |
|-------------------------------|--------------------------------------|---------------|-----------------------|--------------------|---|---------|-------|-------------------------------------|
| | | | | | A | B | | |
| 010 | 16616-0150-0 | COMP. OIL PAN | CARTER D' HUILE COMP. | KOMP. OELWANNE | 1 | 1 | | |
| 020 | ---- | BLANK | BLANC | LEERE SPALTE | - | - | | |
| 030 | 01023-50612 | BOLT | VIS | BOLZEN | 26 | 26 | | |
| 040 | 15707-3375-0 | PLUG, DRAIN | BOUCHON DE VIDANGE | ENTLEERUNGSSTOPFEN | 1 | 1 | | |
| 050 | 15451-9667-0 | GASKET | JOINT | DICHTUNGSPLATTE | 1 | 1 | | |
| 060 | 15221-3375-0 | PLUG | BOUCHON | STOPFEN | 1 | 1 | | |
| 070 | 15109-3366-0 | GASKET | JOINT | DICHTUNGSPLATTE | ~WP2119 | ~WP2119 | | # |
| 070 | 6C090-5896-0 | GASKET | JOINT | DICHTUNGSPLATTE | W00001 | ~W00001 | | # |
| 080 | 16241-3211-4 | FILTER, OIL | FILTRE D' HUILE | OELFILTER | ~XG7689 | ~XG7689 | | # |
| 080 | 16226-3211-0 | FILTER, OIL | FILTRE D' HUILE | OELFILTER | XJ0001 | ~XJ0001 | | # |
| 090 | 01123-50816 | BOLT | VIS | BOLZEN | 1 | 1 | | |
| 100 | 04811-00160 | O RING | JOINT TORIQUE | O RING | ~WH4333 | ~WH4333 | | # |
| 100 | 04814-00160 | O RING | JOINT TORIQUE | O RING | WJ0001 | ~WJ0001 | | # |
| | | | | | | | | |
| | | | | | | | | |
| | | | | | | | | |
| | | | | | | | | |
| | | | | | | | | |
| | | | | | | | | |
| | | | | | | | | |
| | | | | | | | | |
| | | | | | | | | |
| | | | | | | | | |
| | | | | | | | | |
| | | | | | | | | |
| | | | | | | | | |
| | | | | | | | | |
| | | | | | | | | |
| | | | | | | | | |
| | | | | | | | | |



A: V1505-BB(EBB)-EC-LT-1 B: V1505-BB(EBB)-EC-LT-STD-3

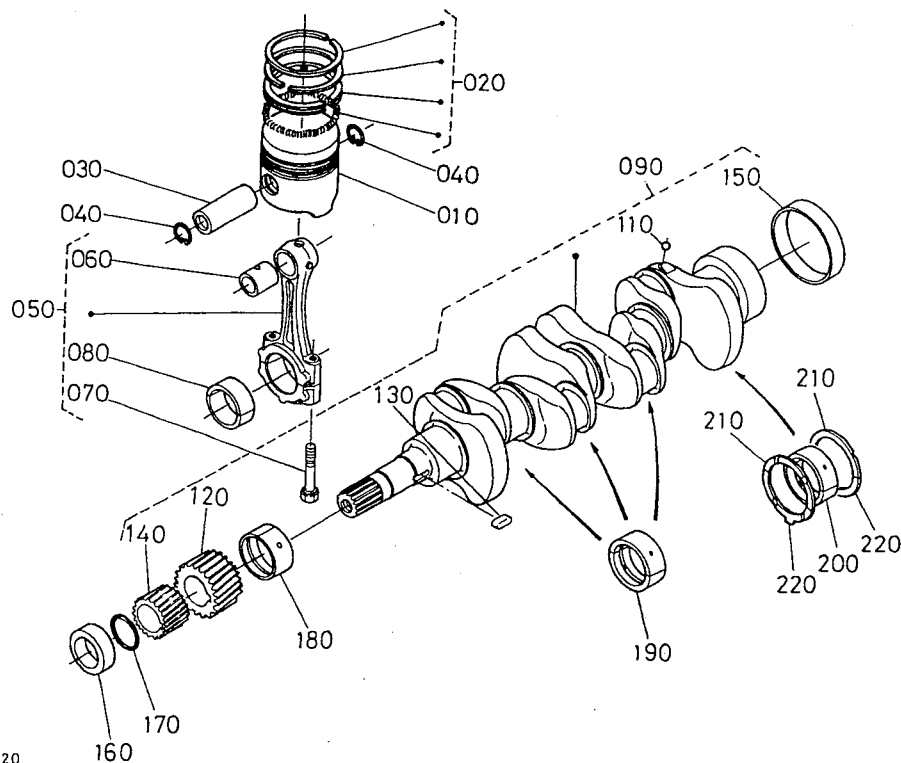
| REF.No POS.No BILD-Nr | PART No. REFERENCE BESTELL-Nr. | PART NAME | DESIGNATION | BEZEICHNUNG | Q' TY/S. No. Q' TE/No. S. STUECK/S. Nr. | | I. C. | REMARKS REMARQUES BEMERKUNGEN |
|-----------------------------|--------------------------------------|----------------------|----------------------|------------------------|---|----------|-------|-------------------------------------|
| | | | | | A | B | | |
| 010 | 16271-0402-0 | COMP. CASE, GEAR | CARTER DISTR. COMP. | KMP. GETRIEBEGHAEUSE | 1 | 1 | | |
| 020 | 16241-9602-0 | PLUG | BOUCHON | STOPFEN | 2 | 2 | | |
| 030 | 04011-50180 | WASHER, PLAIN | RONDELLE FREIN | SCHEIBE | 1 | 1 | | |
| 040 | 15241-3229-0 | JOINT, PIPE | RACCORD DE TUYAU | VERBINDUNGSSTUECK | 1 | 1 | | |
| 050 | 16241-3695-0 | SPRING | RESSORT | FEDER | 1 | 1 | | |
| 060 | 16241-3693-0 | SEAT, VALVE | SIEGE DE SOUPAPE | SITZ, VENTIL | 1 | 1 | | |
| 070 | 07715-00201 | BALL | BILLE | KUGEL | 1 | 1 | | |
| 080 | 16241-3507-0 | ASSY ROTOR, OIL PUMP | ROTOR DE POMPE HUILE | OLFORDERPUMPE LAUFER | 1 | 1 | | |
| 090 | 16241-3513-0 | COVER, OIL PUMP | COUV. POMPE A HUILE | OELPUMPEDECKEL | 1 | 1 | | |
| 100 | 16241-9312-0 | SCREW, CSK-HD | VIS | SCHRAUBE | 5 | 5 | | |
| 110 | 16264-0413-0 | GASKET, GEAR CASE | JOINT | DICHTUNGGETRIEBEGEH. | 1 | 1 | | |
| 120 | 01023-50645 | BOLT | VIS | BOLZEN | 3 | 3 | | |
| 130 | 01023-60650 | BOLT | VIS | BOLZEN | 6 | 6 | | |
| 140 | 01023-50655 | BOLT | VIS | BOLZEN | 2 | 2 | | |
| 150 | 15841-9104-0 | BOLT | VIS | BOLZEN | 1 | 1 | | |
| 160 | 16241-9104-0 | BOLT | VIS | BOLZEN | 1 | 1 | | |
| 170 | 01513-50645 | BOLT, STUD | GOUJON PRISONNIER | STEBBOLZEN | 1 | 1 | | |
| 170 | 16245-9153-0 | STUD | GOUJON | STEBBOLZEN | ~WH4333~WH4333 | ~WH4333~ | # | |
| 180 | 02056-50060 | NUT | ECROU | MUTTER | 1 | 1 | | |
| 190 | 04512-50060 | WASHER, SPRING | RONDELLE GROWER | FEDERRING | 1 | 1 | | |
| 200 | 16241-0421-2 | SEAL, OIL | BAGUE JOINT | OELDICHTUNGSRING | 1 | 1 | | |
| 210 | 04814-06100 | O RING | JOINT TORIQUE | O RING | 2 | 2 | | |
| 220 | 04814-00150 | O RING | JOINT TORIQUE | O RING | 2 | 2 | | |
| 230 | 16245-9154-0 | STUD | GOUJON | STEBBOLZEN | 2 | 2 | | |
| 240 | 16264-8334-2 | COVER, GEAR CASE | COUV. CARTER DISTRIB | DECKEL, GETRIEBEGHAEUS | 1 | 1 | | |
| | | | | | | | | |
| | | | | | | | | |
| | | | | | | | | |
| | | | | | | | | |

1102

PISTON AND CRANKSHAFT
PISTON ET VILEBREQUIN
KOLBEN UND KURBELWELLE

C16-R

REV. NOV. 10 '00



17208-001-20

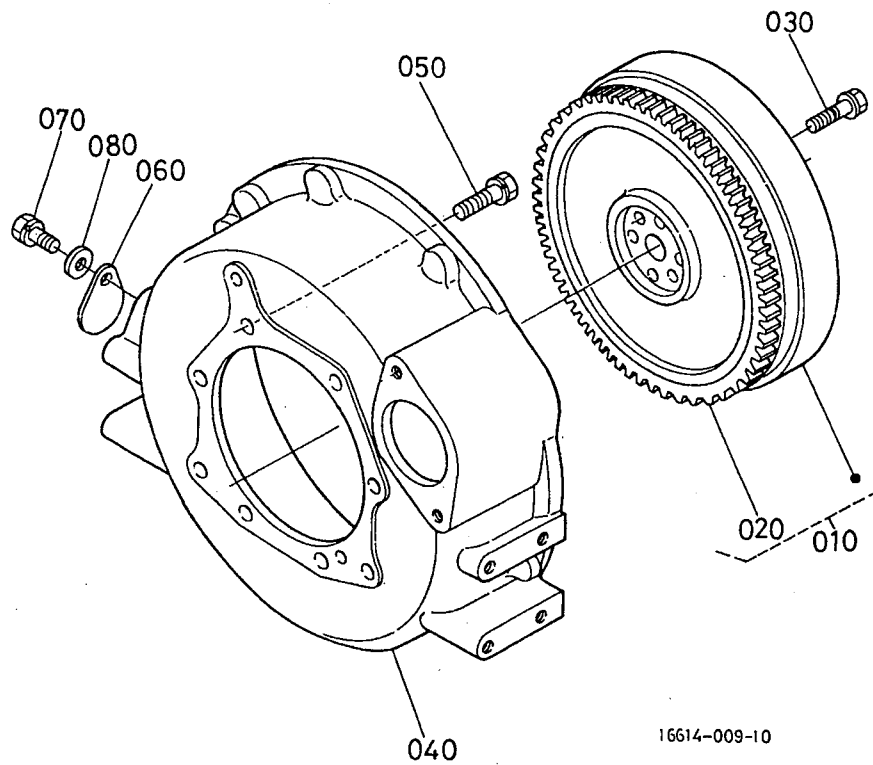
A:V1505-BB(EBB)-EC-LT-1 B:V1505-BB(EBB)-EC-LT-STD-3

| REF.No. POS.No. BILD-Nr. | PART No. REFERENCE BESTELL-Nr. | PART NAME | DESIGNATION | BEZEICHNUNG | Q' TY/S. No. Q' TE/No. S. STUECK/S. Nr. | | I. C. | REMARKS REMARQUES BEMERKUNGEN |
|--------------------------------|--------------------------------------|----------------------|-----------------------|---------------------|---|---|-------|-------------------------------------|
| | | | | | A | B | | |
| 010 | 16060-2111-0 | PISTON | PISTON | KOLBEN | 4 | 4 | | STD |
| 010 | 16060-2191-0 | PISTON | PISTON | KOLBEN | 4 | 4 | | +0.5mm |
| 020 | 16261-2105-0 | ASSY PISTON RING | ENS. SEGMENT | GRP. KOLBENRING | 4 | 4 | | STD |
| 020 | 16261-2109-0 | ASSY PISTON RING | ENS. SEGMENT | GRP. KOLBENRING | 4 | 4 | | +0.5mm |
| 030 | 16241-2131-0 | PIN, PISTON | AXE DE PISTON | KOLBENBOLZEN | 4 | 4 | | |
| 040 | 16241-2133-0 | CIR CLIP, PISTON PIN | CIRCLIP | SEEGERING | 8 | 8 | | |
| 050 | 16241-2201-2 | ASSY ROD, CONNECTING | ENS. BIELLE | TRIEBSTANGE KOMP | 4 | 4 | | |
| 060 | 16241-2198-0 | BUSH, PISTON PIN | BAGUE DE BIELLE | BUCHSE, KOLBENSTIFT | 4 | 4 | | |
| 070 | 16241-2214-0 | BOLT, CONNECTING ROD | VIS DE BIELLE | BOLZEN | 8 | 8 | | |
| 080 | 16241-2231-0 | METAL, CRANKPIN | COUSSINET DE BIELLE | METALLTEIL | 4 | 4 | | STD SET |
| 080 | 16241-2297-0 | METAL, CRANKPIN | COUSSINET DE BIELLE | METALLTEIL | 4 | 4 | | -0.2mm SET |
| 080 | 16241-2298-0 | METAL, CRANKPIN | COUSSINET DE BIELLE | METALLTEIL | 4 | 4 | | -0.4mm SET |
| 090 | 16282-2301-3 | COMP. CRANKSHAFT | VILEBREQUIN COMPLET | KOMP. KURBELWELLE | 1 | 1 | | |
| 100 | ---- | BLANK | BLANC | LEERE SPALTE | - | - | | |
| 110 | 07715-00401 | BALL | BILLE | KUGEL | 4 | 4 | | |
| 120 | 16241-2411-0 | GEAR, CRANK | PIGNON | ZAHNRAD | 1 | 1 | | |
| 130 | 16271-9523-0 | KEY | CLAVETTE | KEIL | 1 | 1 | | |
| 140 | 16241-3563-0 | GEAR, OIL PUMP DRIVE | PIGNON ENTRAIN, POMPE | GETRIEBE | 1 | 1 | | |
| 150 | 16241-2328-0 | SLEEVE, CRANKSHAFT | FRETTE ARRIERE | MUFFE | 1 | 1 | | |
| 160 | 16241-2325-0 | COLLAR, CRANKSHAFT | COLLIER VILEBREQUIN | HALSRING | 1 | 1 | | |
| 170 | 04814-10280 | RING | BAGUE | RING | 1 | 1 | | |
| 180 | 16241-2347-0 | METAL, CRANKSHAFT | COUSSINET DE VILEBR. | METALLTEIL | 1 | 1 | | STD |
| 180 | 16241-2391-0 | METAL, CRANKSHAFT | COUSSINET DE VILEBR. | METALLTEIL | 1 | 1 | | -0.2mm |
| 180 | 16241-2392-0 | METAL, CRANKSHAFT | COUSSINET DE VILEBR. | METALLTEIL | 1 | 1 | | -0.4mm |
| 190 | 16241-2348-0 | METAL, CRANKSHAFT | COUSSINET DE VILEBR. | METALLTEIL | 3 | 3 | | STD SET |
| 190 | 16241-2393-0 | METAL, CRANKSHAFT | COUSSINET DE VILEBR. | METALLTEIL | 3 | 3 | | -0.2mm SET |
| 190 | 16241-2394-0 | METAL, CRANKSHAFT | COUSSINET DE VILEBR. | METALLTEIL | 3 | 3 | | -0.4mm SET |
| 200 | 16292-2349-0 | METAL, CRANKSHAFT | COUSSINET DE VILEBR. | METALLTEIL | 1 | 1 | | STD SET |
| 200 | 16241-2386-0 | METAL, CRANKSHAFT | COUSSINET DE VILEBR. | METALLTEIL | 1 | 1 | | #-0.2mm SET |
| 200 | 16292-2386-0 | METAL, CRANKSHAFT | COUSSINET DE VILEBR. | METALLTEIL | 1 | 1 | | #-0.2mm SET |

110302 FLYWHEEL
VOLANT MOTEUR
SCHWUNGRAD

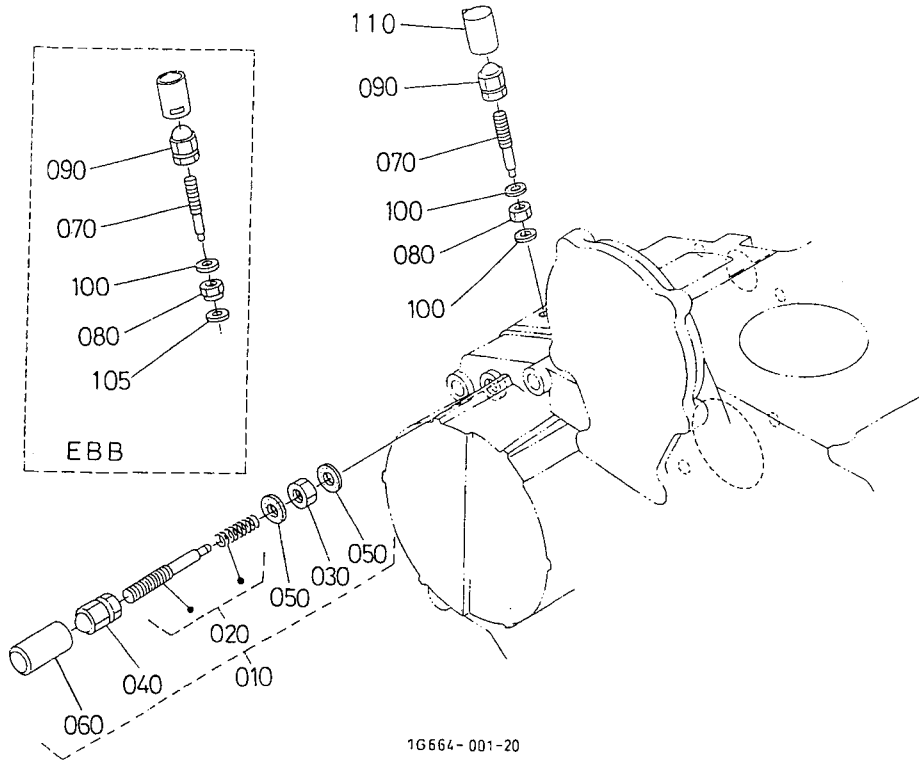
D02-L

REV.NOV.10 '00



A:V1505-BB(EBB)-EC-LT-1 B:V1505-BB(EBB)-EC-LT-STD-3

| REF.No. POS.No. BILD-Nr | PART No. REFERENCE BESTELL-Nr. | PART NAME | DESIGNATION | BEZEICHNUNG | Q' TY/S. No. Q' TE/No. S. STUECK/S. Nr. | | I.C. | REMARKS REMARQUES BEMERKUNGEN |
|-------------------------------|--------------------------------------|-------------------|----------------------|--------------------|---|--------------|------|-------------------------------------|
| | | | | | A | B | | |
| 010 | 16685-2501-4 | COMP. FLYWHEEL | VOLANT MOTEUR COMP. | KOMP. SCHWUNGRAD | - | 1 ~YD1625 | | # |
| 010 | 16685-2501-5 | COMP. FLYWHEEL | VOLANT MOTEUR COMP. | KOMP. SCHWUNGRAD | - | 1 YE0001~ | | # |
| 020 | 16261-6382-0 | GEAR, RING | COURONNE DE DEMARRE. | ZAHNKRANZ | - | 1 ~YD1625 | | # |
| 020 | 16261-6382-2 | GEAR, RING | COURONNE DE DEMARRE. | ZAHNKRANZ | - | 1 YE0001~ | | # |
| 030 | 16241-2516-0 | BOLT, FLYWHEEL | VIS DE VOLANT | BOLZEN, SCHWUNGRAD | - | 6 | | |
| 040 | 16683-0461-0 | HOUSING, FLYWHEEL | CARTER VOLANT | GEHAESE/EINHEIT | - | 1 | | |
| 050 | 15261-9119-0 | BOLT | VIS | BOLZEN | - | 8 | | |
| 060 | 31220-1417-0 | COVER | COUVERCLE | DECKEL | - | 1 | | |
| 070 | 01123-50814 | BOLT | VIS | BOLZEN | - | 1 | | |
| 080 | 04013-50080 | WASHER, PLAIN | RONDELLE FREIN | SCHEIBE | - | 1 | | |
| | | | | | | | | |
| | | | | | | | | |
| | | | | | | | | |
| | | | | | | | | |
| | | | | | | | | |
| | | | | | | | | |
| | | | | | | | | |
| | | | | | | | | |
| | | | | | | | | |
| | | | | | | | | |
| | | | | | | | | |
| | | | | | | | | |
| | | | | | | | | |
| | | | | | | | | |
| | | | | | | | | |
| | | | | | | | | |
| | | | | | | | | |
| | | | | | | | | |
| | | | | | | | | |



A:V1505-BB(EBB)-EC-LT-1 B:V1505-BB(EBB)-EC-LT-STD-3

| REF.No. POS.No. BILD-Nr | PART No. REFERENCE BESTELL-Nr. | PART NAME | DESIGNATION | BEZEICHNUNG | Q' TY/S. No. Q' TE/No. S. STUECK/S. Nr. | | I. C. | REMARKS REMARQUES BEMERKUNGEN |
|-------------------------------|--------------------------------------|----------------------|--------------------|----------------------|---|---|-------|-------------------------------------|
| | | | | | A | B | | |
| 010 | 16285-5409-0 | ASSY APPARATUS, IDLE | DISPOSITIF, RALENT | GRP. FREILAUFAPPARAT | 1 | 1 | | |
| 020 | 16285-5410-2 | ASSY BOLT, ADJUSTING | VIS DE REGLAGE | GRP. ENSTELLBOLZEN | 1 | 1 | | |
| 030 | 15841-9202-0 | NUT | ECROU | MUTTER | 1 | 1 | | |
| 040 | 15841-9233-0 | NUT | ECROU | MUTTER | 1 | 1 | | |
| 050 | 15601-9665-0 | GASKET | JOINT | DICHTUNGSPLATTE | 2 | 2 | | |
| 060 | 16221-5442-0 | CAP | BOUCHON | KAPPE | 1 | 1 | | |
| 070 | 16241-5412-0 | BOLT, ADJUSTING | VIS REGLAGE | EINSTELLBOLZEN | 1 | 1 | | |
| 080 | 15841-9202-0 | NUT | ECROU | MUTTER | 1 | 1 | | |
| 080 | 1G031-5421-0 | NUT, LOCK | CONTRE-ECROU | MUTTER | 1 | 1 | | #EBB |
| 090 | 15841-9233-0 | NUT | ECROU | MUTTER | 1 | 1 | | |
| 100 | 15601-9665-0 | GASKET | JOINT | DICHTUNGSPLATTE | 2 | 2 | | |
| 100 | 15601-9665-0 | GASKET | JOINT | DICHTUNGSPLATTE | 1 | 1 | | #EBB |
| 105 | 1G031-9665-0 | GASKET | JOINT | DICHTUNGSPLATTE | 1 | 1 | | #EBB |
| 110 | 16221-5442-0 | CAP | BOUCHON | KAPPE | 1 | 1 | | BB |
| | | | | | | | | |
| | | | | | | | | |
| | | | | | | | | |
| | | | | | | | | |
| | | | | | | | | |
| | | | | | | | | |
| | | | | | | | | |
| | | | | | | | | |
| | | | | | | | | |
| | | | | | | | | |
| | | | | | | | | |
| | | | | | | | | |
| | | | | | | | | |
| | | | | | | | | |
| | | | | | | | | |
| | | | | | | | | |
| | | | | | | | | |
| | | | | | | | | |
| | | | | | | | | |
| | | | | | | | | |
| | | | | | | | | |
| | | | | | | | | |
| | | | | | | | | |
| | | | | | | | | |

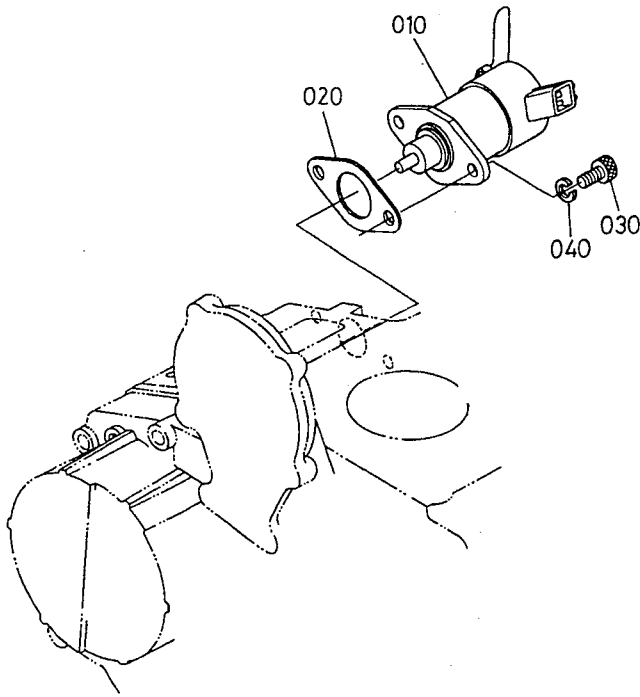
1201

STOP SOLENOID
SOLENOIDE D'ARRET
ABSTELLSOLENOID

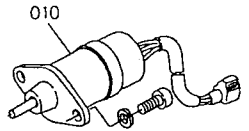
D03-R

REV.NOV.10 '00

010 16259-6001-0



IG332-001-10



16235-800-10

A:V1505-BB(EBB)-EC-LT-1 B:V1505-BB(EBB)-EC-LT-STD-3

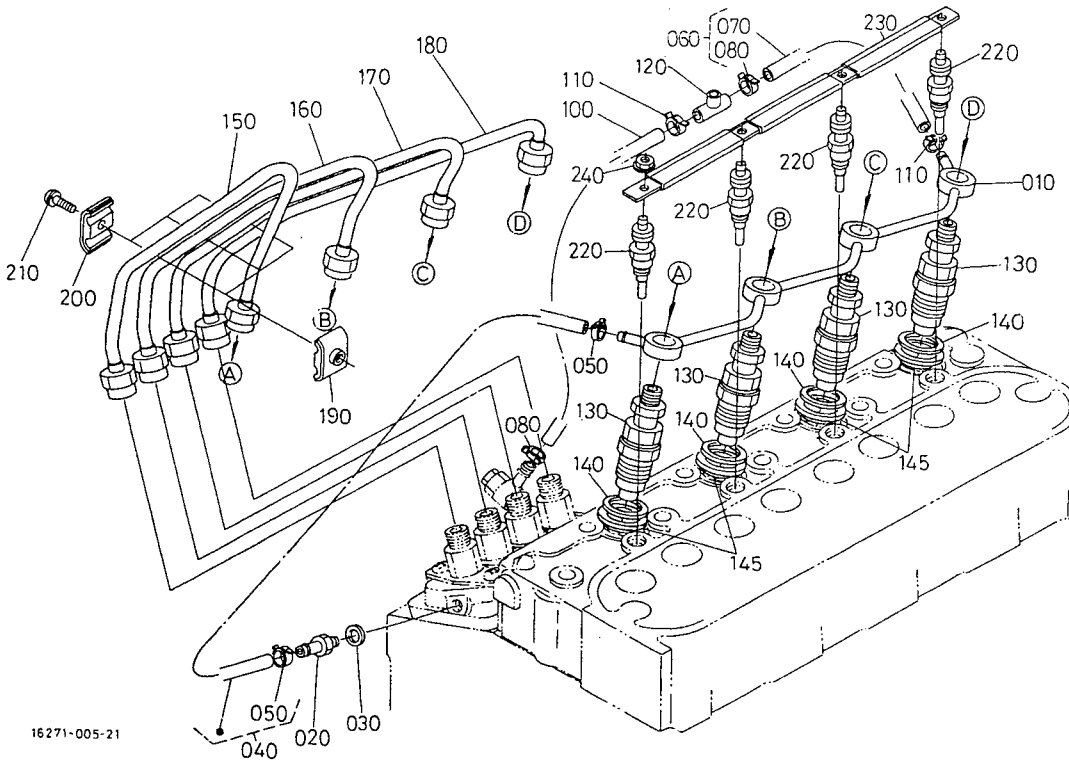
| REF.No. POS.No. BILD-Nr | PART No. REFERENCE BESTELL-Nr. | PART NAME | DESIGNATION | BEZEICHNUNG | Q' TY/S. No. Q' TE/No. S. STUECK/S. Nr. | | I.C. | REMARKS REMARQUES BEMERKUNGEN |
|-------------------------------|--------------------------------------|---------------------|-----------------|------------------|---|---------|------|-------------------------------------|
| | | | | | A | B | | |
| 010 | 16259-6001-0 | ASSY SOLENOID | ENS. SOLENOID | DRAHTSPULE, KOMP | 1 | 1 | | # |
| 010 | 17208-6001-0 | ASSY SOLENOID, STOP | ENS. SOLENOIDE | DRAHTSPULE, KOMP | ~XG7689 | ~XG7689 | 3 | # |
| 020 | 16299-6015-0 | GASKET | JOINT | DICHTUNGSPLATTE | 1 | 1 | | |
| 030 | 01311-10614 | BOLT, HEX-SOC-HD | VIS | BOLZEN | 2 | 2 | | |
| 040 | 04512-50060 | WASHER, SPRING | RONDELLE GROWER | FEDERRING | 2 | 2 | | |
| | | | | | | | | |
| | | | | | | | | |
| | | | | | | | | |
| | | | | | | | | |
| | | | | | | | | |
| | | | | | | | | |
| | | | | | | | | |
| | | | | | | | | |
| | | | | | | | | |
| | | | | | | | | |
| | | | | | | | | |
| | | | | | | | | |
| | | | | | | | | |
| | | | | | | | | |
| | | | | | | | | |
| | | | | | | | | |
| | | | | | | | | |
| | | | | | | | | |
| | | | | | | | | |
| | | | | | | | | |

1206

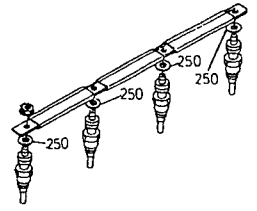
NOZZLE HOLDER AND GLOW PLUG
 PORTE-INJECTEUR ET BOUGIE DE PRECHAUFFAGE
 DUESENHALTER UND GLUEHKERZE

D05-R

REV.NOV.10 '00



250 04013-60040



16271-005-21

16255-804-10

A:V1505-BB(EBB)-EC-LT-1 B:V1505-BB(EBB)-EC-LT-STD-3

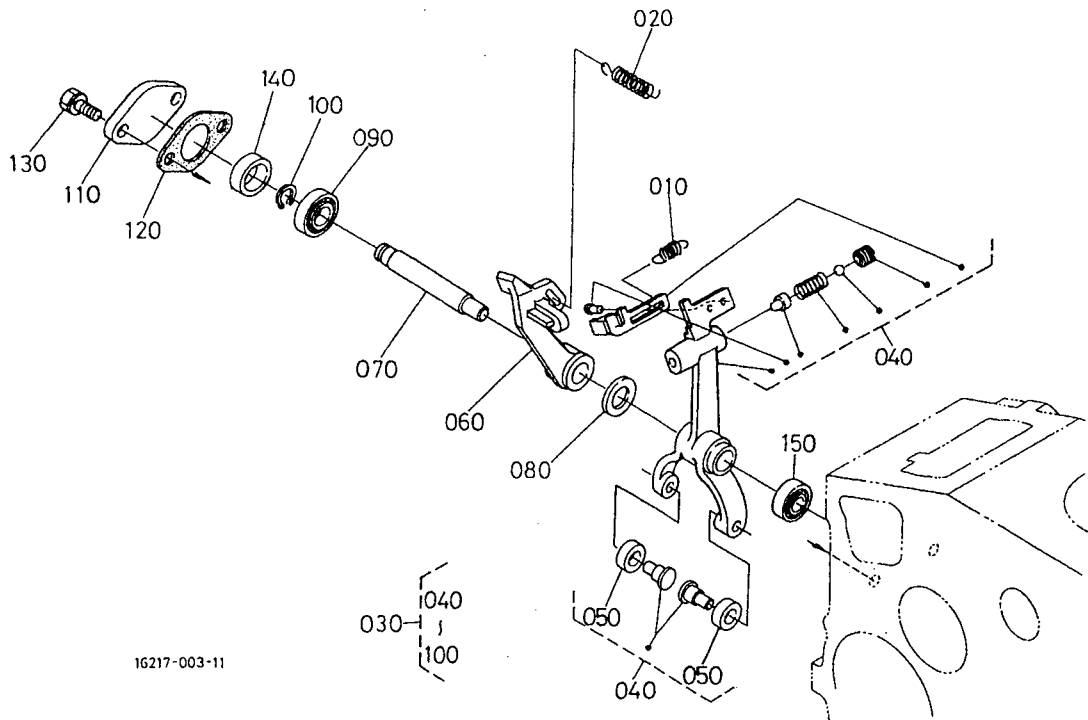
| REF.No. POS.No. BILD-Nr | PART No. REFERENCE BESTELL-Nr. | PART NAME | DESIGNATION | BEZEICHNUNG | Q' TY/S. No. Q' TE/No. S. STUECK/S. Nr. | | I. C. | REMARKS REMARQUES BEMERKUNGEN |
|-------------------------------|--------------------------------------|----------------------|-----------------------|--------------------|---|---------|-------|-------------------------------------|
| | | | | | A | B | | |
| 010 | 16271-4250-2 | ASSY PIPE, OVER FLOW | ENS. TUYAU TROP-PLEIN | GRP. UEBERLAUFROHR | 1 | 1 | | |
| 020 | 15841-5136-0 | SCREW, AIR BREEDER | VIS DE AIR-AVICLTEUR | SCHRAUBE | 1 | 1 | | |
| 030 | 15601-9665-0 | GASKET | JOINT | DICHTUNGSPLATTE | 1 | 1 | | |
| 040 | 15841-4250-0 | ASSY PIPE, OVER FLOW | ENS. TUYAU TROP-PLEIN | GRP. UEBERLAUFROHR | 1 | 1 | | |
| 050 | 14971-4275-0 | CLIP, PIPE | ATTACHE | ROHRKLEMME | 2 | 2 | | |
| 060 | 16261-4203-0 | ASSY PIPE, OVER FLOW | ENS. TUYAU TROP-PLEIN | GRP. UEBERLAUFROHR | 1 | 1 | | |
| 070 | 09661-40080 | TUBE, FUEL | TUYAU | KRAFTSTOFFROHR | 1 | 1 | | |
| 080 | 16241-4232-0 | BAND, PIPE | COLLIER DE TUYAU | ROHRBAND | 2 | 2 | | |
| 090 | ---- | BLANK | BLANC | LEERE SPALTE | - | - | | |
| 100 | 09661-40230 | TUBE, FUEL | TUYAU | KRAFTSTOFFROHR | 1 | 1 | | |
| 110 | 16241-4232-0 | BAND, PIPE | COLLIER DE TUYAU | ROHRBAND | 2 | 2 | | |
| 120 | K3511-5839-0 | JOINT, T-PIPE | RACCORD DE TUYAU | VERBINDUNGSTUECK | 1 | 1 | | |
| 130 | 16032-5300-0 | ASSY HOLDER, NOZZLE | ENS. PORTE-INJECTEUR | GRP. DUESENHALTER | 4 | 4 | | |
| 140 | 15841-5362-2 | GASKET | JOINT | DICHTUNGSPLATTE | 4 | 4 | | |
| 145 | 19077-5365-0 | SEAL, HEAT | JOINT DE CHALEUR | DICHTUNG | 4 | 4 | | |
| 150 | 16271-5371-2 | PIPE, INJECTION | TUYAU D' INJECTEUR | EINSPRITZROHR | 1 | 1 | | |
| 160 | 16271-5372-2 | PIPE, INJECTION | TUYAU D' INJECTEUR | EINSPRITZROHR | 1 | 1 | | |
| 170 | 16271-5373-2 | PIPE, INJECTION | TUYAU D' INJECTEUR | EINSPRITZROHR | 1 | 1 | | |
| 180 | 16271-5374-2 | PIPE, INJECTION | TUYAU D' INJECTEUR | EINSPRITZROHR | 1 | 1 | | |
| 190 | 15841-5385-0 | CLAMP, PIPE | COLLIER DE TUYAU | ROHRKLEMME | 3 | 3 | | |
| 200 | 15841-5386-0 | CLAMP, PIPE | COLLIER DE TUYAU | ROHRKLEMME | 3 | 3 | | |
| 210 | 03024-50520 | SCREW, WITH WASHER | VIS | SCHRAUBE | 3 | 3 | | |
| 220 | 16851-6551-0 | GLOW PLUG | BOUGIE, PRE-CHAUFFAGE | GLUEHSTOEPSSEL | 4 | 4 | | |
| 230 | 16271-6556-0 | CORD, GLOW PLUG | FILDEBOUG, PRECHAUFF. | GLUEHKERZEKORD | 1 | 1 | | |
| 240 | 02761-50040 | NUT, FLANGE | ECROU A EMBASE | FLANSCHEN-MUTTER | 4 | 4 | | |
| 250 | 04013-60040 | WASHER, PLAIN | RONDELLE FREIN | SCHEIBE | 4 | 4 | | |
| | | | | | ~XS99B3 | ~XS99B3 | | # |

1212

FORK LEVER(GOVERNOR)
 LEVIER A FOURCHE(REGULATEUR DE VITESSES)
 HEBEL-GABEL (REGLER)

D06-R

REV.NOV.10 '00



A:V1505-BB(EBB)-EC-LT-1 B:V1505-BB(EBB)-EC-LT-STD-3

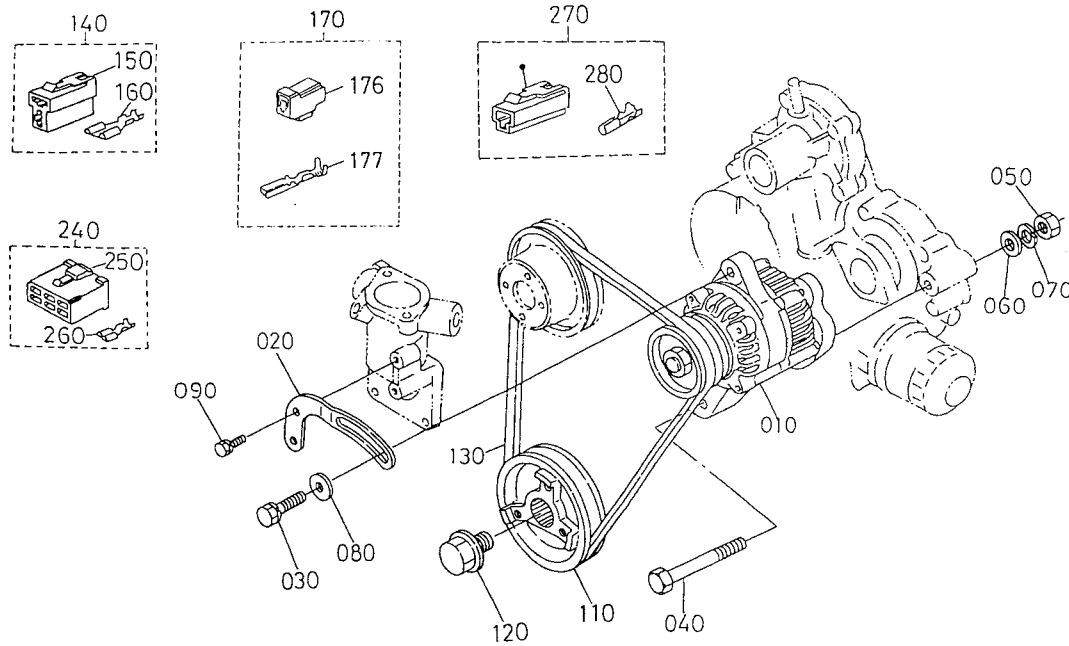
| REF.No. POS.No. BILD-Nr. | PART No. REFERENCE BESTELL-Nr. | PART NAME | DESIGNATION | BEZEICHNUNG | Q' TY/S. No. Q' TE/No. S. STUECK/S. Nr. | | I. C. | REMARKS REMARQUES BEMERKUNGEN |
|--------------------------------|--------------------------------------|------------------------|-----------------------|--------------------|---|----------|-------|-------------------------------------|
| | | | | | A | B | | |
| 010 | 16271-5648-0 | SPRING, START | RESSORT DE SURCHARGE | STARTERFEDER | 1 | 1 | | |
| 020 | 16285-5641-2 | SPRING, GOVERNOR | RESSORT DE REGULATEU | REGLERFEDER | 1 | 1 | | |
| 030 | 16060-5605-0 | ASSY LEVER, FORK | ENS. LEVIER A FOURCHE | GRP. GABELHEBEL | 1 | 1 | | # |
| 030 | 16060-5605-4 | ASSY LEVER, FORK | ENS. LEVIER A FOURCHE | GRP. GABELHEBEL | ~WX2480~ | ~WX2480~ | | # |
| 040 | 16060-5604-0 | COMP. LEVER, FORK | LEVIER DE REGULATEUR | KOMP. GABELHEBEL | 1 | 1 | | # |
| 040 | 16060-5604-4 | COMP. LEVER, FORK | LEVIER DE REGULATEUR | KOMP. GABELHEBEL | ~WX2480~ | ~WX2480~ | | # |
| 050 | 19484-5544-0 | ROLLER | ROULEAU | ROLLE | 2 | 2 | | |
| 060 | 16222-5613-0 | LEVER, FORK | LEVIER A FOURCHE | HEBEL, GABEL | 1 | 1 | | |
| 070 | 16241-5615-3 | SHAFT, FORK LEVER | ARBRE DE FOUR-LEVIER | GABELHEBELWELLE | 1 | 1 | | |
| 080 | 16241-9401-0 | WASHER, PLAIN | RONDELLE FREIN | SCHEIBE | 1 | 1 | | |
| 090 | 16241-5633-0 | BEARING, MINIATURIZE | ROULEMENT | KUGELLAGER | 1 | 1 | | |
| 100 | 04612-00090 | CIR CLIP, EXTERNAL | CIRCLIP | SPRENGRING, AUSSEN | 1 | 1 | | |
| 110 | 16241-5625-0 | COVER, FORK LEV. SHAFT | COUV. FOURCHE ARBRE | DECKEL | 1 | 1 | | |
| 120 | 16299-5626-0 | GASKET | JOINT | DICHTUNGSPLATTE | 1 | 1 | | |
| 130 | 01023-50614 | BOLT | VIS | BOLZEN | 2 | 2 | | |
| 140 | 16241-5621-0 | COLLAR | COLLIER | HUELSE | 1 | 1 | | |
| 150 | 16241-5634-0 | BEARING, MINIATURIZE | ROULEMENT | KUGELLAGER | 1 | 1 | | |

1402

ALTERNATOR AND PULLEY
ALTERNATEUR
WECHSELSTROMMASCHINE

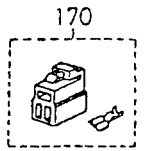
D08-L

REV. NOV. 10 '00

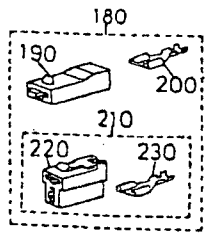


1E058-002-21

170 16259-6583-0



180 16239-6583-0
190 16239-6588-0
200 16239-6577-0
210 19838-6583-0
220 19872-6588-0
230 19237-6591-0



16285-806-10

A:V1505-BB(EBB)-EC-LT-1 B:V1505-BB(EBB)-EC-LT-STD-3

| REF.No. POS.No. BILD-Nr | PART No. REFERENCE BESTELL-Nr. | PART NAME | DESIGNATION | BEZEICHNUNG | Q' TY/S. No. Q' TE/No. S. STUECK/S. Nr. | | I. C. | REMARKS REMARQUES BEMERKUNGEN |
|-------------------------------|--------------------------------------|---------------------|-----------------------|-----------------------|---|---------|-------|-------------------------------------|
| | | | | | A | B | | |
| 010 | 16241-6401-0 | ASSY ALTERNATOR | ALTERNATEUR COMPLET | GRP. WECHSELSTROMDYN. | ~XZ0500 | ~XZ0500 | # | |
| 010 | 16678-6401-0 | ASSY ALTERNATOR | ALTERNATEUR COMPLET | GRP. WECHSELSTROMDYN. | YA0001 | YA0001 | # | |
| 020 | 16241-6442-0 | STAY, DYNAMO | TENDEUR | DYNAMOSTANGE | 1 | 1 | | |
| 030 | 01123-50830 | BOLT | VIS | BOLZEN | 1 | 1 | | |
| 040 | 01173-51085 | BOLT | VIS | BOLZEN | 1 | 1 | | |
| 050 | 02176-50100 | NUT | ECROU | MUTTER | 1 | 1 | | |
| 060 | 04011-50100 | WASHER, PLAIN | RONDELLE FREIN | SCHEIBE | 1 | 1 | | |
| 070 | 04512-50100 | WASHER, SPRING | RONDELLE GROWER | FEDERRING | 1 | 1 | | |
| 080 | 04015-50080 | WASHER, PLAIN | RONDELLE FREIN | SCHEIBE | 1 | 1 | | |
| 090 | 01023-50616 | BOLT | VIS | BOLZEN | 1 | 1 | | |
| 100 | ---- | BLANK | BLANC | LEERE SPALTE | - | - | | |
| 110 | 16249-7428-0 | PULLEY, FAN DRIVE | POULIE ENTRAIN. VENT. | RIEMENSCHIEBE | 1 | 1 | | |
| 120 | 16241-9102-0 | BOLT, FAN DRIVE | VIS | BOLZEN | 1 | 1 | | |
| 130 | 16282-9701-0 | V BELT | COURROIE | RIEMEN | 1 | 1 | | |
| 140 | 19838-6583-0 | ASSY CONNECTOR, 2 | ENS. CONNECTEUR | GRP. ANSCHLUBE | ~XZ0500 | ~XZ0500 | # | |
| 140 | 16678-6583-0 | ASSY CONNECTOR, 2 | ENS. CONNECTEUR | GRP. ANSCHLUBE | YA0001 | YA0001 | # | |
| 150 | 19872-6588-0 | CONNECTOR | CONNECTEUR | ANSCHLUBE | ~XZ0500 | ~XZ0500 | # | |
| 150 | 16631-6584-0 | CONNECTOR | CONNECTEUR | ANSCHLUBE | YA0001 | YA0001 | # | |
| 160 | 19237-6591-0 | TERMINAL | DEBORNE | ANSCHLUBKLEMME | ~XZ0500 | ~XZ0500 | # | |
| 160 | 19237-6591-0 | TERMINAL | DEBORNE | ANSCHLUBKLEMME | YA0001 | YA0001 | # | |
| 170 | 16259-6583-0 | ASSY COUPLER, LOCK | ENS. COUPLEUR VERROU | GRP. KUPPLERKONTERMU. | ~XG7689 | ~XG7689 | # | |
| 170 | 1C010-6583-0 | ASY COUPLER | ENS. COUPLEUR | GRP. KUPPLER | XJ0001 | XJ0001 | # | |
| 176 | 1C010-6588-0 | CONNECTOR | CONNECTEUR | ANSCHLUBE | XJ0001 | XJ0001 | # | |
| 177 | 1C010-6591-0 | TERMINAL | DEBORNE | ANSCHLUBKLEMME | XJ0001 | XJ0001 | # | |
| 180 | 16239-6583-0 | ASSY COUPLER, RELAY | ENS. COUPLEUR RELAIS | GRP. KUPPLERRELAIS | ~XG7689 | ~XG7689 | # | |
| 190 | 16239-6588-0 | CONNECTOR | CONNECTEUR | ANSCHLUBE | ~XG7689 | ~XG7689 | # | |
| 200 | 16239-6577-0 | TERMINAL | DEBORNE | ANSCHLUBKLEMME | ~XG7689 | ~XG7689 | # | |
| 210 | 19838-6583-0 | ASSY COUPLER | ENS. COUPLEUR | GRP. KUPPLER | ~XG7689 | ~XG7689 | # | |
| 220 | 19872-6588-0 | CONNECTOR | CONNECTEUR | ANSCHLUBE | ~XG7689 | ~XG7689 | # | |
| 230 | 19237-6591-0 | TERMINAL | DEBORNE | ANSCHLUBKLEMME | ~XG7689 | ~XG7689 | # | |

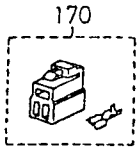
1402

**ALTERNATOR AND PULLEY
ALTERNATEUR
WECHSELSTROMMASCHINE**

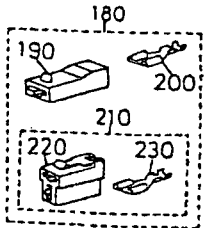
D08-L1

REV. NOV. 10 '00

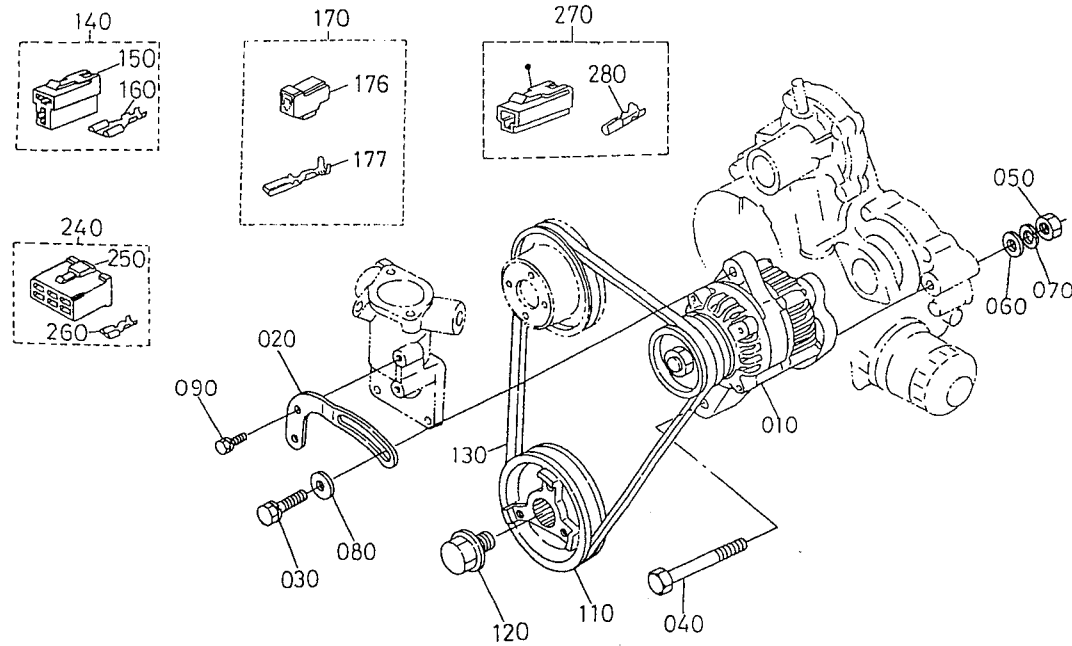
170 16259-6583-0



- 180 16239-6583-0
- 190 16239-6588-0
- 200 16239-6577-0
- 210 19838-6583-0
- 220 19872-6588-0
- 230 19237-6591-0



16285-806-10



1E 058-002-21

A:V1505-BB(EBB)-EC-LT-1 B:V1505-BB(EBB)-EC-LT-STD-3

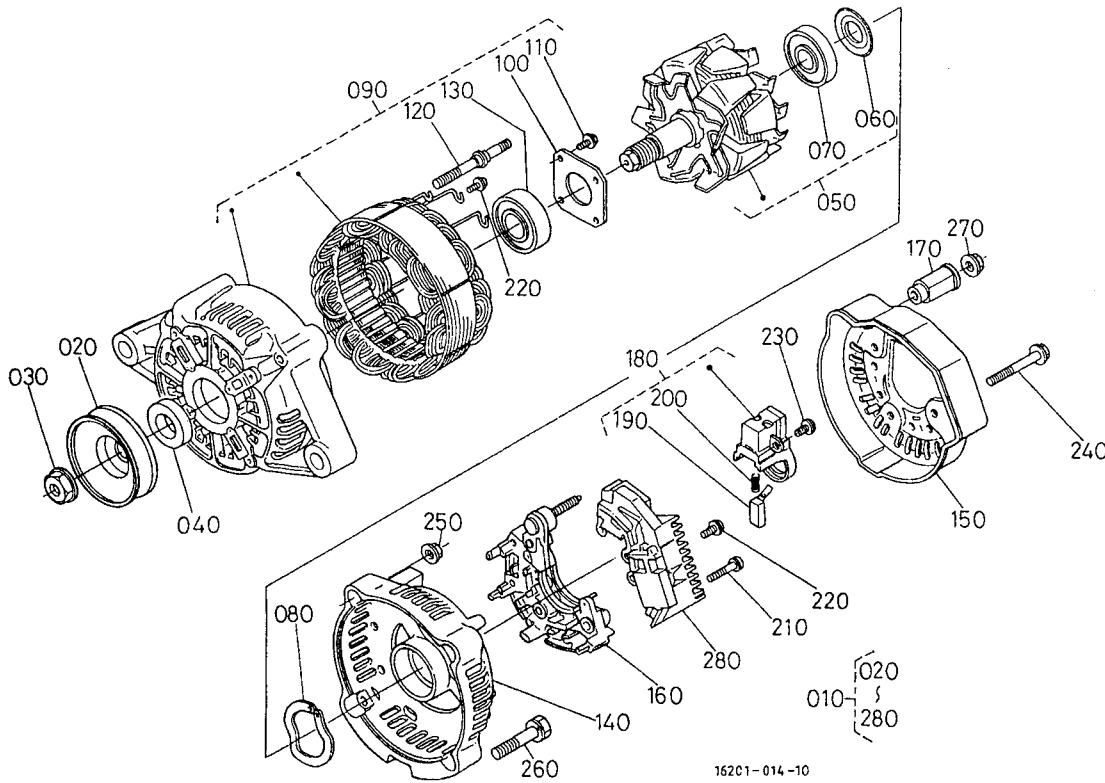
| REF.No. POS.No. BILD-Nr | PART No. REFERENCE BESTELL-Nr. | PART NAME | DESIGNATION | BEZEICHNUNG | Q' TY/S, No. Q' TE/No. S. STUECK/S, Nr. | | I. C. | REMARKS REMARQUES BEMERKUNGEN |
|-------------------------------|--------------------------------------|-----------------------|-----------------------|-----------------------|---|---|-------|-------------------------------------|
| | | | | | A | B | | |
| 240 | 16662-6583-0 | ASSY COUPLER, CONNec. | ENS. COUPLEUR CONNec. | GRP. KUPPLERANSCHLUBE | 1 | 1 | | |
| 250 | 19872-6584-0 | CONNECTOR | CONNECTEUR | ANSCHLUBE | 1 | 1 | | |
| 260 | 19237-6591-0 | TERMINAL | DEBORNE | ANSCHLUBKLEMME | 5 | 5 | | |
| 270 | 19215-6375-0 | TERMINAL | DEBORNE | ANSCHLUBKLEMME | 1 | 1 | | |
| 280 | 19844-6577-0 | TERMINAL | DEBORNE | ANSCHLUBKLEMME | 1 | 1 | | |
| | | | | | | | | |
| | | | | | | | | |
| | | | | | | | | |
| | | | | | | | | |
| | | | | | | | | |
| | | | | | | | | |
| | | | | | | | | |
| | | | | | | | | |
| | | | | | | | | |
| | | | | | | | | |
| | | | | | | | | |
| | | | | | | | | |
| | | | | | | | | |
| | | | | | | | | |
| | | | | | | | | |
| | | | | | | | | |
| | | | | | | | | |
| | | | | | | | | |
| | | | | | | | | |
| | | | | | | | | |
| | | | | | | | | |
| | | | | | | | | |

1403

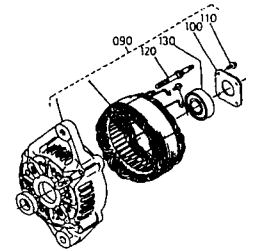
ALTERNATOR (COMPONENT PARTS)
 ALTERNATEUR (PARTIES COMPOSANTES)
 WECHSELSTROMMASCHINE (EINZEL-TEIL)

D08-R

REV. NOV. 10 '00



090 15881-6402-0



16201-014-10

16255-806-10

A:V1505-BB(EBB)-EC-LT-1 B:V1505-BB(EBB)-EC-LT-STD-3

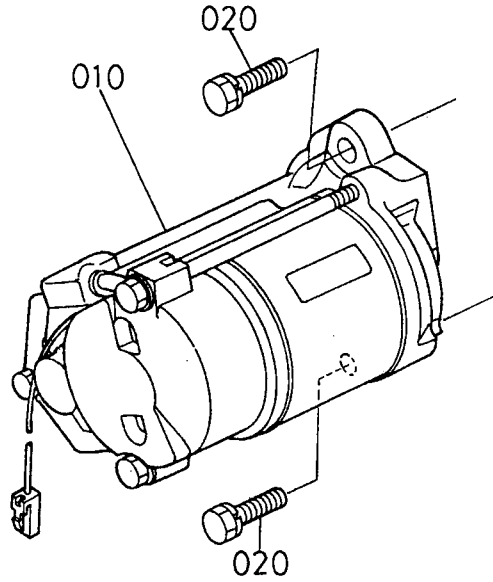
| REF.No. POS.No. BILD-Nr | PART No. REFERENCE BESTELL-Nr. | PART NAME | DESIGNATION | BEZEICHNUNG | Q' TY/S. No. Q' TE/No. S. STUECK/S. Nr. | | I. C. | REMARKS REMARQUES BEMERKUNGEN |
|-------------------------------|--------------------------------------|-----------------------|-----------------------|------------------------|---|---------|-------|-------------------------------------|
| | | | | | A | B | | |
| 010 | 16241-6401-0 | ASSY ALTERNATOR | ALTERNATEUR COMPLET | GRP. WECHSELSTROMDYN. | ~XZ0500 | ~XZ0500 | | # |
| 010 | 16678-6401-0 | ASSY ALTERNATOR | ALTERNATEUR COMPLET | GRP. WECHSELSTROMDYN. | YA0001 | YA0001 | | # |
| 020 | 15881-6411-0 | PULLEY, DYNAMO | POULIE D' ALTERNATEUR | RIEMENSCHLEIBE, DYNAMO | 1 | 1 | | |
| 030 | 15881-9201-0 | NUT | ECROU | MUTTER | 1 | 1 | | |
| 040 | 15881-6415-0 | COLLAR | COLLIER | HUELSE | 1 | 1 | | |
| 050 | 15881-6404-0 | ROTOR | ROTOR | ROTOR | 1 | 1 | | # |
| 050 | 66436-6404-0 | ASSY ROTOR | ENS. ROTOR | GRP. ROTOR | ~XZ0500 | ~XZ0500 | | # |
| 060 | 15881-6480-0 | COVER, BEARING | COUVERCLE | DECKEL | 1 | 1 | | # |
| 070 | 15881-6477-0 | BEARING, BALL | ROULEMENT A BILLES | KUGELLAGER | 1 | 1 | | # |
| 070 | 16652-6477-0 | BEARING, BALL | ROULEMENT A BILLES | KUGELLAGER | ~XZ0500 | ~XZ0500 | | # |
| 080 | 15881-6481-0 | WASHER, THRUST | RONDILLE DE BUTEE | DRUCKSCHEIBE | 1 | 1 | | # |
| 090 | 15881-6402-0 | FRAME, DRIVE END | BATI | ANTRIEBSRAHMEN | ~XZ0500 | ~XZ0500 | | # |
| 090 | 66436-6402-0 | ASSY FRAME, DRIVE END | ENS. BATI ARRIERE | GRP. ANTRIEBSRAHMEN | YA0001 | YA0001 | | # |
| 100 | 15881-6471-0 | PLATE, RETAINER | PLAQUE RETENUE | HALTEPLATTE | 1 | 1 | | |
| 110 | 15881-9301-0 | SCREW, ROUND HEAD | VIS A TETE RONDE | RUNDKOPFSCHRAUBE | 4 | 4 | | |
| 120 | 15881-6426-0 | BOLT, THROUGH | VIS, PASSANT | DURCHGEHENDERBOLZEN | 2 | 2 | | |
| 130 | 15881-6478-0 | BEARING, BALL | ROULEMENT A BILLES | KUGELLAGER | 1 | 1 | | # |
| 130 | 16652-6478-0 | BEARING, BALL | ROULEMENT A BILLES | KUGELLAGER | ~XZ0500 | ~XZ0500 | | # |
| 140 | 16241-6406-0 | FRAME, END | BATI | RAHMEN | 1 | 1 | | |
| 150 | 16241-6423-0 | COVER, END | PALIER ARRIERE | DECKEL | ~XZ0500 | ~XZ0500 | | # |
| 150 | 16678-6423-0 | COVER, END | PALIER ARRIERE | DECKEL | YA0001 | YA0001 | | # |
| 160 | 16241-6485-0 | ASSY RECTIFIER | REDRESSEUR | MONT. GLEICHRICHTER | ~XZ0500 | ~XZ0500 | | # |
| 160 | 15881-6485-0 | ASSY RECTIFIER | REDRESSEUR | MONT. GLEICHRICHTER | YA0001 | YA0001 | | # |
| 170 | 16241-6490-0 | BUSH, INSULATION | BAGUE ISOLANTE | BUCHSE | 1 | 1 | | # |
| 170 | 15881-6490-0 | BUSH, INSULATION | BAGUE ISOLANTE | BUCHSE | ~XZ0500 | ~XZ0500 | | # |
| 180 | 15881-6431-0 | HOLDER, BRUSH | PORTE-BALAI | BUERSTEN HALTER | 1 | 1 | | # |
| 180 | 16652-6431-0 | HOLDER, BRUSH | PORTE-BALAI | BUERSTEN HALTER | ~XZ0500 | ~XZ0500 | | # |
| 190 | 15881-6409-0 | BRUSH | PATTE D' ATTACHE | BUERSTE | 2 | 2 | | |
| 200 | 15881-6433-0 | SPRING, BRUSH | RESSORT DE BALAI | SCHLEIFBUERSTENFEDER | 2 | 2 | | |
| 210 | 15881-9302-0 | SCREW, ROUND HEAD | VIS A TETE RONDE | RUNDKOPFSCHRAUBE | 2 | 2 | | |

1404

STARTER
 DEMARREUR
 ANLASSER

D09-L

REV.NOV.10 '00



16614-022-10

A:V1505-BB(EBB)-EC-LT-1 B:V1505-BB(EBB)-EC-LT-STD-3

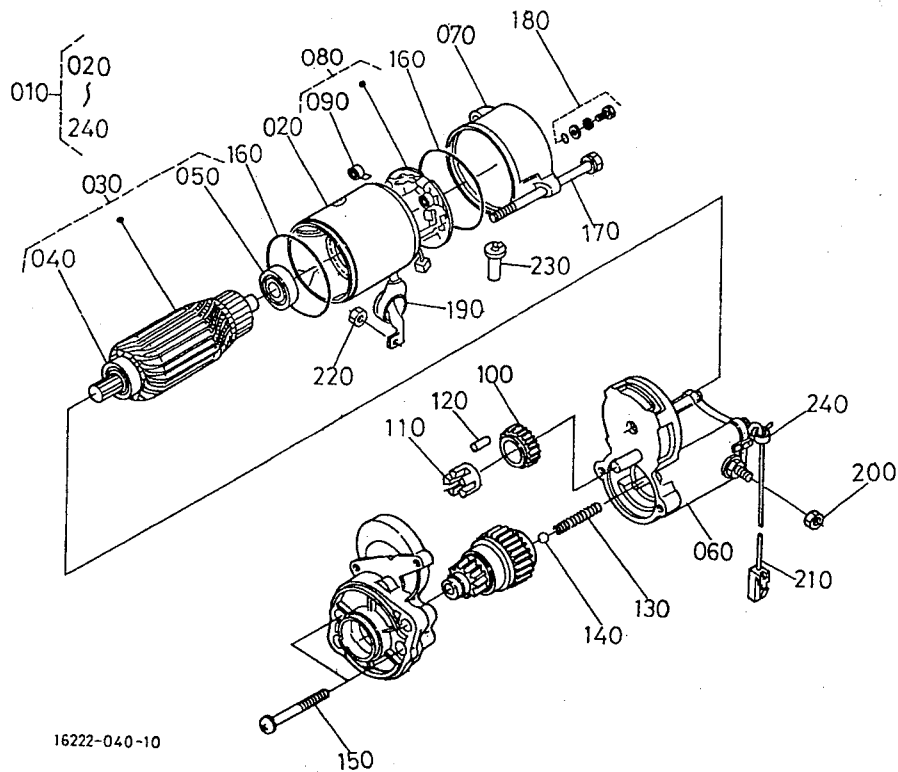
| REF.No. POS.No. BILD-Nr | PART No. REFERENCE BESTELL-Nr. | PART NAME | DESIGNATION | BEZEICHNUNG | Q'TY/S. No. Q'TE/No. S. STUECK/S. Nr. | | I.C. | REMARKS REMARQUES BEMERKUNGEN |
|-------------------------------|--------------------------------------|--------------|----------------|---------------|---|---------------|------|-------------------------------------|
| | | | | | A | B | | |
| 010 | 16235-6301-0 | ASSY STARTER | ENS. DEMARREUR | GRP. ANLASSER | 1 | 1 | | |
| 020 | 01123-50830 | BOLT | VIS | BOLZEN | 2 ~WT267B~ | 2 ~WT267B~ | | # |
| 020 | 01123-50825 | BOLT | VIS | BOLZEN | 2 WU0001~ | 2 WU0001~ | | # |
| | | | | | | | | |
| | | | | | | | | |
| | | | | | | | | |
| | | | | | | | | |
| | | | | | | | | |
| | | | | | | | | |
| | | | | | | | | |
| | | | | | | | | |
| | | | | | | | | |
| | | | | | | | | |
| | | | | | | | | |
| | | | | | | | | |
| | | | | | | | | |
| | | | | | | | | |
| | | | | | | | | |
| | | | | | | | | |
| | | | | | | | | |
| | | | | | | | | |
| | | | | | | | | |
| | | | | | | | | |
| | | | | | | | | |

1405

STARTER (COMPONENT PARTS)
 DEMARREUR (PARTIES COMPOSANTES)
 ANLASSER (EINZEL-TEIL)

D09-R

REV. NOV. 10 '00



16222-040-10

A:V1505-BB(EBB)-EC-LT-1 B:V1505-BB(EBB)-EC-LT-STD-3

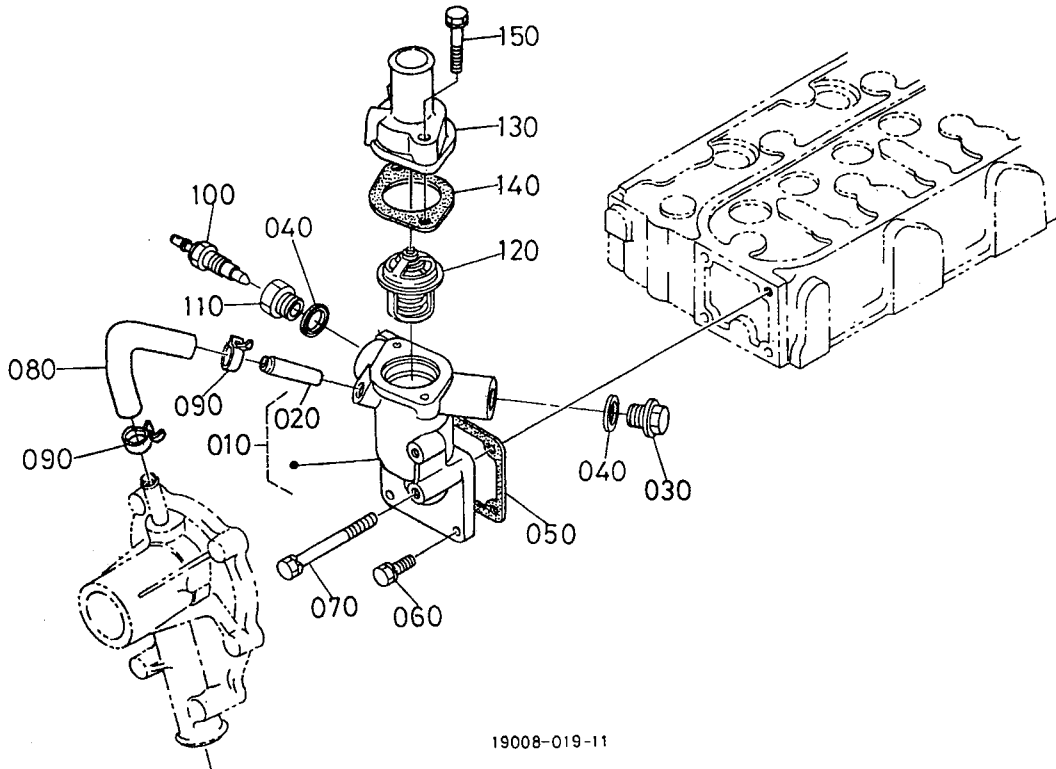
| REF.No. POS.No. BILD-Nr | PART No. REFERENCE BESTELL-Nr. | PART NAME | DESIGNATION | BEZEICHNUNG | Q' TY/S. No. Q' TE/No. S. STUECK/S. Nr. | | I.C. | REMARKS REMARQUES BEMERKUNGEN |
|-------------------------------|--------------------------------------|-----------------------|--------------------|----------------------|---|---------------|------|-------------------------------------|
| | | | | | A | B | | |
| 010 | 16235-6301-0 | ASSY STARTER | ENS. DEMARREUR | GRP. ANLASSER | 1 | 1 | | |
| 020 | 16661-6308-0 | ASSY YOKE | ENS. CHAPE | GRP. GABELGELENK | 1 | 1 | | |
| 030 | 11197-6307-0 | ASSY ARMATURE | ENS. ARMATURE | GRP. ARMATUR | 1 | 1 | | |
| 040 | 11460-6350-0 | BEARING | ROULEMENT | LAGER | 1 | 1 | | |
| 050 | 11460-6353-0 | BEARING | ROULEMENT | LAGER | 1 | 1 | | |
| 060 | 37560-6302-0 | ASSY SWITCH, MAGNETIC | SOLENOIDE | GRP. MAGNETSCHALTER | 1 ~WP2119~ | 1 ~WP2119~ | | # |
| 060 | 16611-6302-0 | ASSY SWITCH, MAGNETIC | SOLENOIDE | GRP. MAGNETSCHALTER | 1 WQ0001~ | 1 WQ0001~ | | # |
| 070 | 17341-6320-0 | FRAME, END | BATI | RAHMEN | 1 | 1 | | |
| 080 | 11197-6338-0 | ASSY HOLDER, BRUSH | ENS. SUPPORT | GRP. BUERSTENHALTER | 1 | 1 | | |
| 090 | 15401-6339-0 | SPRING, BRUSH | RESSORT DE BALAI | SCHLEIFBUERSTENFEDER | 4 | 4 | | |
| 100 | 11460-6327-0 | GEAR | ENGRENAGE | GETRIEBE | 1 | 1 | | |
| 110 | 11460-6311-0 | RETAINER | SUPPORT | HALTESCHEIBE | 1 | 1 | | |
| 120 | 19212-6310-0 | ROLLER | ROULEAU | ROLLE | 5 | 5 | | |
| 130 | 11460-6312-0 | SPRING | RESSORT | FEDER | 1 | 1 | | |
| 140 | 19212-9713-0 | BALL | BILLE | KUGEL | 1 | 1 | | |
| 150 | 11460-9331-0 | BOLT | VIS | BOLZEN | 2 | 2 | | |
| 160 | 15511-9666-0 | O RING | JOINT TORIQUE | O RING | 2 | 2 | | |
| 170 | 11197-6332-0 | BOLT | VIS | BOLZEN | 2 | 2 | | |
| 180 | 15511-6376-0 | ASSY BOLT | ENS. VIS | GRP. BOLZEN | 2 | 2 | | |
| 190 | 16611-6345-0 | COVER | COUVERCLE | DECKEL | 1 | 1 | | |
| 200 | 16611-9202-0 | NUT, HEXAGON | ECROU HEXAGONAL | MUTTER | 1 ~WP2119~ | 1 ~WP2119~ | | # |
| 200 | 13963-9201-0 | NUT, HEXAGON | ECROU HEXAGONAL | MUTTER | 1 WQ0001~ | 1 WQ0001~ | | # |
| 210 | 16611-6366-0 | CORD, STOP SOLENOID | PRISE DE SOLENOIDE | CABLESTOPSOLENOID | 1 | 1 | | |
| 220 | 16285-9201-0 | NUT, HEXAGON | ECROU HEXAGONAL | MUTTER | 1 | 1 | | |
| 230 | 16285-6357-0 | PIPE, DRAIN | TUYAU DE DRAINAGE | DRANLEITUNG | 1 | 1 | | |
| 240 | 16612-6310-0 | BAND, COVER | BANDE, COUVERCLE | FLACHRIEMEN | 1 | 1 | | |

1500

WATER FLANGE AND THERMOSTAT
 BRIDE A EAU ET THERMOSTAT
 WASSERFLANSCH UND THERMOSTAT

D10-R

REV.NOV.10 '00



19008-019-11

A:V1505-BB(EBB)-EC-LT-1 B:V1505-BB(EBB)-EC-LT-STD-3

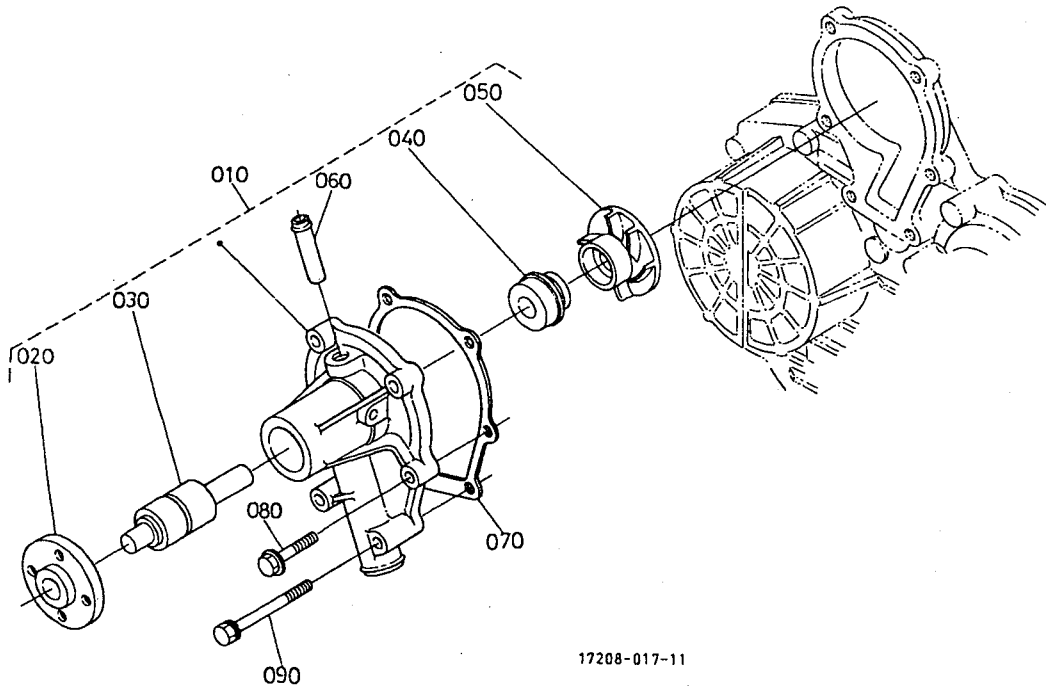
| REF.No. POS.No. BILD-Nr | PART No. REFERENCE BESTELL-Nr. | PART NAME | DESIGNATION | BEZEICHNUNG | Q' TY/S. No. Q' TE/No. S. STUECK/S. Nr. | | I. C. | REMARKS REMARQUES BEMERKUNGEN |
|-------------------------------|--------------------------------------|----------------------|-----------------------|-----------------------|---|---------|-------|-------------------------------------|
| | | | | | A | B | | |
| 010 | 19008-7270-0 | COMP FLANGE, WATER | ENS, BRIDE A EAU | KOMP. FLANSCH | 1 | 1 | | |
| 020 | 16241-7337-0 | PIPE, WATER RETURN | TUYAU RETOUR D' EAU | WASSERROHR | 1 | 1 | | |
| 030 | 06311-55030 | PLUG | BOUCHON | STOPFEN | 1 | 1 | | |
| 040 | 16261-9671-0 | GASKET | JOINT | DICHTUNGSPLATTE | 2 | 2 | | |
| 050 | 16264-7292-0 | GASKET, WATER FLANGE | JOINT DE BRIDE | DICHTUNG | 1 | 1 | | |
| 060 | 01023-50616 | BOLT | VIS | BOLZEN | 3 | 3 | | |
| 070 | 01023-50655 | BOLT | VIS | BOLZEN | 1 | 1 | | |
| 080 | 16241-7335-0 | PIPE, WATER RETURN | TUYAU RETOUR D' EAU | WASSERROHR | 1 | 1 | | |
| 090 | 16241-7336-0 | BAND, PIPE | COLLIER DE TUYAU | ROHRBAND | 2 | 2 | | |
| 100 | 16222-8304-0 | ASSY THERMOSWITCH | ENS. THERMOINTERRUPT. | GRP. THERMOZUENDSCHA. | 1 | 1 | | |
| 110 | 16222-7284-0 | ADAPTER | ADAPTEUR | ZWISCHENSTUECK | 1 | 1 | | |
| 120 | 19434-7301-0 | ASSY THERMOSTAT | THERMOSTAT COMP | GRP. THERMOSTAT | 1 | 1 | | |
| 130 | 16219-7326-0 | COVER, THERMOSTAT | COUV. DE THERMOSTAT | DECKEL, THERMOSTAT | 1 | 1 | | |
| 140 | 15313-7327-0 | GASKET, THERMOSTAT | JOINT | DICHTUNG | ~XX0001 | ~XX0001 | 1 | # |
| 140 | 16221-7327-0 | GASKET, THERMOSTAT | JOINT | DICHTUNG | XY0001 | XY0001 | 1 | # |
| 150 | 01123-50835 | BOLT | VIS | BOLZEN | 2 | 2 | | |

1501

**WATER PUMP
POMPE A EAU
WASSERPUMPE**

D11-L

REV.NOV.10 '00



17208-017-11

A:V1505-BB(EBB)-EC-LT-1 B:V1505-BB(EBB)-EC-LT-STD-3

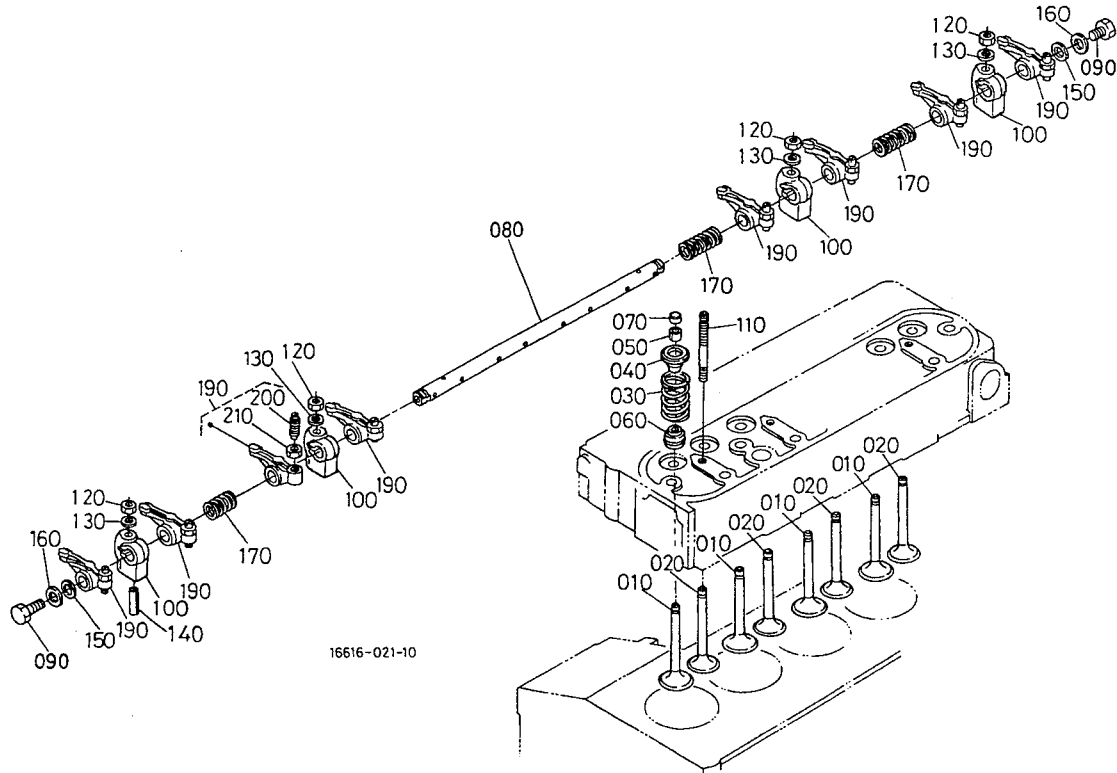
| REF.No. POS.No. BILD-Nr. | PART No. REFERENCE BESTELL-Nr. | PART NAME | DESIGNATION | BEZEICHNUNG | Q' TY/S, No. Q' TE/No, S. STUECK/S, Nr. | | I. C. | REMARKS REMARQUES BEMERKUNGEN |
|--------------------------------|--------------------------------------|-----------------------|----------------------|-----------------------|---|-----------------|-------|-------------------------------------|
| | | | | | A | B | | |
| 010 | 16241-7303-2 | ASSY PUMP, WATER | ENS. POMPE A EAU | GRUPPE WASSERPUMPE | 1 | 1 | | |
| 020 | 16241-7352-0 | FLANGE, WATER PUMP | BRIDE DE POMPE A EAU | FLANSCH, PUMPE | 1 | 1 | | |
| 030 | 16241-7355-0 | BEARING | ROULEMENT | LAGER | 1 | 1 | | |
| 040 | 16241-7305-2 | ASSY SEAL, MECHANICAL | ENS. JOINT MECANIQUE | GRP. MECH. DICHTUNG | 1 | 1 | | |
| 050 | 16241-7351-0 | IMPELLER, WATER PUMP | TURBINE DE POMP | FLUEGELRAD | 1 | 1 | | |
| 060 | 16241-7334-0 | PIPE, WATER RETURN | TUYAU RETOUR D'EAU | WASSERROHR | 1 | 1 | | |
| 070 | 16261-7343-0 | GASKET, WATER PUMP | JOINT DE POMPE A EAU | DICHTUNG, WASSERPUMPE | 1 | 1 | | |
| 080 | 01023-50630 | BOLT | VIS | BOLZEN | 4 | 4 | | # |
| 080 | 01754-50625 | BOLT, FLANGE | VIS DE BUTEE | FLANSCHEN-BOLZEN | ~WF5452~WF5452~ | ~WF5452~WF5452~ | | # |
| 090 | 01023-50680 | BOLT | VIS | BOLZEN | WG0001~WG0001~ | WG0001~WG0001~ | | # |
| | | | | | 2 | 2 | | |

1600

VALVE AND ROCKER ARM
SOUPAPES, CULBUTEURS
VENTIL, KIPPENARM

D12-R

REV.NOV.10 '00



A:V1505-BB(EBB)-EC-LT-1 B:V1505-BB(EBB)-EC-LT-STD-3

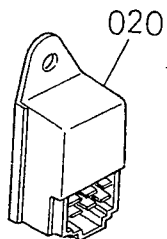
| REF.No POS.No BILD-Nr | PART No. REFERENCE BESTELL-Nr. | PART NAME | DESIGNATION | BEZEICHNUNG | Q' TY/S, No. Q' TE/No. S. STUECK/S. Nr. | | I.C. | REMARKS REMARQUES BEMERKUNGEN |
|-----------------------------|--------------------------------------|----------------------|----------------------|-----------------|---|---|------|-------------------------------------|
| | | | | | A | B | | |
| 010 | 16241-1311-0 | VALVE, INLET | SOUPAPE D' ADMISSION | EINLASSVENTIL | 4 | 4 | | |
| 020 | 16241-1312-0 | VALVE, EXHAUST | SOUPAPE D' ECHAPMENT | AUSLASSVENTIL | 4 | 4 | | |
| 030 | 16271-1324-0 | SPRING, VALVE | RESSORT DE SOUPAPE | VENTIL-FEDER | 8 | 8 | | |
| 040 | 16241-1333-0 | RETAINER, VALVE SP. | CUVETTE SUPERIEURE | ZURUECKHALTER | 8 | 8 | | |
| 050 | 15261-1336-0 | COLLET, VALVE SPRING | DEMI CLAVETTE | KLEMMSCHEIBE | 8 | 8 | | SET |
| 060 | 1C010-1315-0 | SEAL, VALVE STEM | JOINT DE SOUPAPE | VENTILDICHTUNG | 8 | 8 | | |
| 070 | 16241-1328-0 | CAP, VALVE | CHAPEAU DE SOUPAPE | VENTILKAPPE | 8 | 8 | | |
| 080 | 16241-1426-4 | SHAFT, ROCKER ARM | ARBRE DE CULBUTEUR | KIPPEBELWELLE | 1 | 1 | | |
| 090 | 01023-50610 | BOLT | VIS | BOLZEN | 2 | 2 | | |
| 100 | 16241-1435-0 | BRACKET, ROCKER ARM | SUPPORT DE CULBUTEUR | KIPPEBELHALTER | 4 | 4 | | |
| 110 | 16241-1441-0 | STUD | GOUJON | STEBOLZEN | 4 | 4 | | |
| 120 | 15261-9201-0 | NUT | ECROU | MUTTER | 4 | 4 | | |
| 130 | 15261-9401-0 | WASHER, PLAIN | RONDELLE FREIN | SCHEIBE | 4 | 4 | | # CORRECTION |
| 140 | 05411-00428 | PIN, SPRING | GOUVILLE-RESSORT | STIFT, FEDR | 1 | 1 | | # CORRECTION |
| 150 | 16241-1443-0 | WASHER, R-ARM, SHAFT | RONDELLE | SCHEIBE | 2 | 2 | | # CORRECTION |
| 160 | 15841-9402-2 | WASHER, PLAIN | RONDELLE FREIN | SCHEIBE | 2 | 2 | | # CORRECTION |
| 170 | 16241-1431-0 | SPRING, ROCKER ARM | RESSORT DE CULBUTEUR | FEDER, KIPPEBEL | 3 | 3 | | # CORRECTION |
| 180 | ---- | BLANK | BLANC | LEERE SPALTE | - | - | | # CORRECTION |
| 190 | 16241-1403-2 | ASSY ROCKER ARM | ENS. CULBUTEURS | GRP, KIPPEBEL | 8 | 8 | | # CORRECTION |
| 200 | 16241-1423-0 | SCREW, ADJUSTING | VIS DE REGLAGE | STELLSCHRAUBE | 8 | 8 | | # CORRECTION |
| 210 | 16241-1424-0 | NUT | ECROU | MUTTER | 8 | 8 | | # CORRECTION |

1800

GLOW PLUG - GLOW LAMP AND TIMER
 BOUGIE, DE PRECHAUFFAGE INDIC. BOUGIE ET TEMPORISA
 GULUEHKERZE, GLUEHLAMPE UND ZEITMESSER

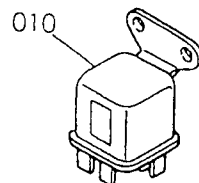
D14-R

REV.NOV.10 '00



16255-019-10

010 16259-6025-0



16255-807-10

A:V1505-BB(EBB)-EC-LT-1 B:V1505-BB(EBB)-EC-LT-STD-3

| REF.No. POS.No. BILD-Nr | PART No. REFERENCE BESTELL-Nr. | PART NAME | DESIGNATION | BEZEICHNUNG | Q' TY/S. No. Q' TE/No. S. STUECK/S. Nr. | | I. C. | REMARKS REMARQUES BEMERKUNGEN |
|-------------------------------|--------------------------------------|------------------|---------------|----------------|---|---------|-------|-------------------------------------|
| | | | | | A | B | | |
| 010 | 16259-6025-0 | ASSY RELAY | ENS. RELAIS | GRP. RELAIS | ~XG7689 | ~XG7689 | # | |
| 020 | 17558-6599-0 | TIMER, GLOW LAMP | TEMPORISATEUR | LAMPETREMBLEUR | 1 | 1 | | |
| | | | | | | | | |
| | | | | | | | | |
| | | | | | | | | |
| | | | | | | | | |
| | | | | | | | | |
| | | | | | | | | |
| | | | | | | | | |
| | | | | | | | | |
| | | | | | | | | |
| | | | | | | | | |
| | | | | | | | | |
| | | | | | | | | |
| | | | | | | | | |
| | | | | | | | | |
| | | | | | | | | |
| | | | | | | | | |
| | | | | | | | | |
| | | | | | | | | |
| | | | | | | | | |
| | | | | | | | | |
| | | | | | | | | |
| | | | | | | | | |
| | | | | | | | | |
| | | | | | | | | |
| | | | | | | | | |

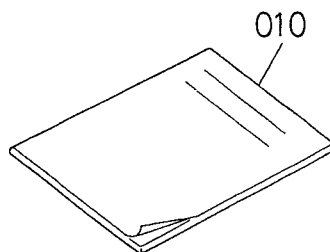
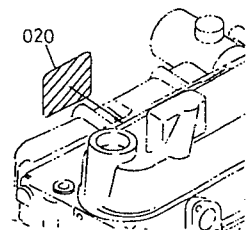
1809

LABEL AND OPERATOR'S MANUAL
 ETIQUETTE ET MANUEL DE L'UTILISATEUR
 ETIKETTE UND HANDHABUNG-GEBRAUCHSANWEISUNG

D15-L

REV. NOV.10 '00

020 16285-8711-4



16201-028-10

16285-805-10

A: V1505-BB(EBB)-EC-LT-1 B: V1505-BB(EBB)-EC-LT-STD-3

| REF.No. POS.No. BILD-Nr. | PART No. REFERENCE BESTELL-Nr. | PART NAME | DESIGNATION | BEZEICHNUNG | Q' TY/S, No. Q' TE/No, S, STUECK/S, Nr. | | I. C. | REMARKS REMARQUES BEMERKUNGEN |
|--------------------------------|--------------------------------------|---------------------|-----------------------|-------------------|---|---------|-------|-------------------------------------|
| | | | | | A | B | | |
| 010 | 16622-8916-3 | MANUAL, INSTRUCTION | MANUEL D' INSTRUCTION | BETRIEBSANLEITUNG | ~XE9803 | ~XE9803 | | # |
| 010 | 16622-8916-4 | MANUAL, INSTRUCTION | MANUEL D' INSTRUCTION | BETRIEBSANLEITUNG | X00001 | X00001 | | # |
| 020 | 16285-8711-4 | NAME PLATE, ENGINE | PLAQUE MOTEUR | BEZEICHNUNGSTAFEL | ~WZ2095 | ~WZ2095 | | # |
| | | | | | | | | |
| | | | | | | | | |
| | | | | | | | | |
| | | | | | | | | |
| | | | | | | | | |
| | | | | | | | | |
| | | | | | | | | |
| | | | | | | | | |
| | | | | | | | | |
| | | | | | | | | |
| | | | | | | | | |
| | | | | | | | | |
| | | | | | | | | |
| | | | | | | | | |
| | | | | | | | | |
| | | | | | | | | |
| | | | | | | | | |
| | | | | | | | | |
| | | | | | | | | |

PARTS BULLETIN

Kubota

Parts Bulletin No. : **SOEM-02-077**

Date of Issue : **JUN. 20, 2002**

Parts List Code No. Affected : **97898-04061**

Models Affected : **V1505-BB(EBB)-EC-1 · V1505-BB(EBB)-SAE-EC-1 · V1505-BB(EBB)-EC-STD-3
V1505-BBS(EBBS)-EC-1 · V1505-BB(EBB)-EC-LT-1 · V1505-BB(EBB)-EC-LT-STD-3**

KUBOTA Corporation

Head Office: 2-47, Shikitsuhigashi 1-chome,
Naniwa-ku, Osaka, Japan

Information concerning parts modifications (changes of parts number and parts shapes, adoption or abolition of parts, etc.) is arranged in units of one page each in the Parts List.

“So the Parts Bulletin can be used more effectively”

- ① When you receive the Parts Bulletin, check the Parts List Code No. and model that appears on the head and file it at the beginning of your Parts List.
- ② Mark the pages of the Parts List affected by the Parts Bulletin with an “X”. [Example-1]
- ③ Be sure to refer to the Parts Bulletin at the beginning of the Parts List concerning parts on pages marked with “X”.

[Example-1]

T005 FLYWHEEL B03-R

A:01500-L-A B:01700-A

| REF. No. | PART No. | PART NAME | Q'TY/S. No. | | I. C. | REMARKS |
|----------|--------------|--------------------|-------------|---|-------|---------|
| | | | A | B | | |
| 010 | 16457-2501-0 | COMP. FLYWHEEL | | | | |
| 020 | 15221-6382-0 | GEAR, RING | | | | |
| 030 | 17394-2515-0 | BOLT, FLYWHEEL | * | * | | |
| 040 | 35080-1401-0 | HUB, SPLINE | | | | |
| 050 | 1A040-2510-2 | COMP. HOUSING, F-W | | | | |
| 060 | 05012-0101R | PIN, STRAIGHT | * | * | | |
| 070 | 31220-1429-0 | PLUG | * | * | | |
| 080 | 15521-0468-0 | COVER | | | | |
| 090 | 15521-0479-0 | PACKING, COVER | | | | |
| 100 | 01123-60816 | BOLT | | | | |
| 110 | 01073-51030 | BOLT | | | | |
| 120 | 04512-50100 | WASHER, SPRING | | | | |
| 130 | 01073-51240 | BOLT | | | | |
| 140 | 04512-50120 | WASHER, SPRING | | | | |

- ④ In the Parts Bulletin, modified parts are marked with a “#” symbol preceding the REMARKS of the list. [Example-2-④]
- ⑤ The part with a “#” symbol preceding the REF. No. of the illustration has been revised in its shape in the Parts Bulletin, because the Parts List shows incorrect shape in it. [Example-2-⑤]
- ⑥ Additional pages are marked with branch numbers (1, 2, and so on) on the right of “R” or “L” of the location number. [Example-2-⑥]
- ⑦ The date the revision is issued is recorded below the Location No. in the Parts Bulletin. [Example-2-⑦]

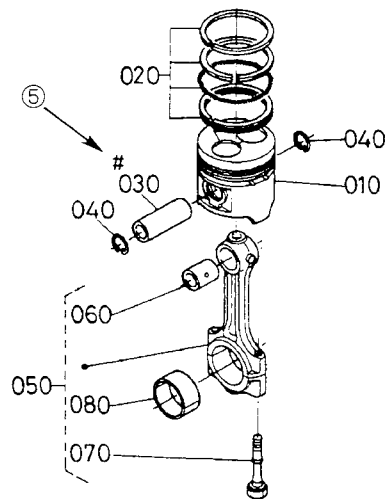
[Example-2]

0102 PISTON AND CRANKSHAFT

⑥
↓
B01-L1

REV. SEPT. 15 '95

↑
⑦



④
A:XXXX, B:XXXX

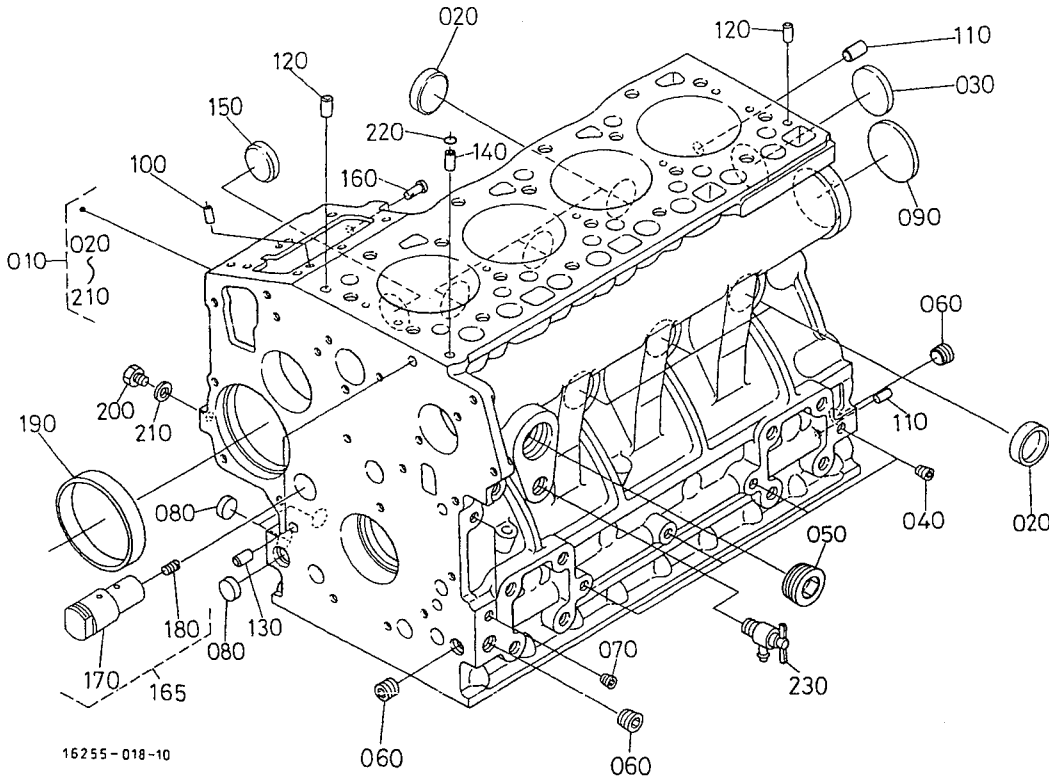
| REF.No. | PART No. | PART NAME | Q' TY/S. No. | | I. C. | REMARKS |
|---------|--------------|------------------|--------------|-------------|-------|---------|
| | | | A | B | | |
| 010 | 15800-0000-0 | PISTON | 5 ~15000 | 5 ~15000 | □ | # |
| 010 | 15800-0000-2 | PISTON | 5 15001~ | 5 15001~ | □ | # |
| 020 | 15800-2000-0 | ASSY PISTON RING | 5 ~15000 | 5 ~15000 | □ | # |
| 020 | 15830-2000-0 | ASSY PISTON RING | 5 15001~ | 5 15001~ | □ | # |
| 030 | 15800-1000-0 | PIN, PISTON | 5 | 5 | | |
| 040 | 15800-3000-0 | CLIP, PISTON | 6 | 6 | | |
| 050 | 15800-4000-0 | ASSY CONNECTING | 5 | 5 | | |

0001

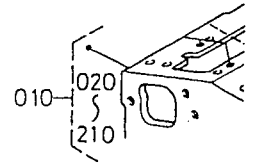
CRANKCASE
BLOC MOTEUR
KURBELGEHAEUSE

B01-L

REV. JUN. 20 '02



010 17558-0101-2



16255-018-10

A:V1505-BB(EBB)-EC-1 B:V1505-BB(EBB)-SAE-EC-1 C:V1505-BB(EBB)-EC-STD-3 D:V1505-BBS(EBBS)-EC-1

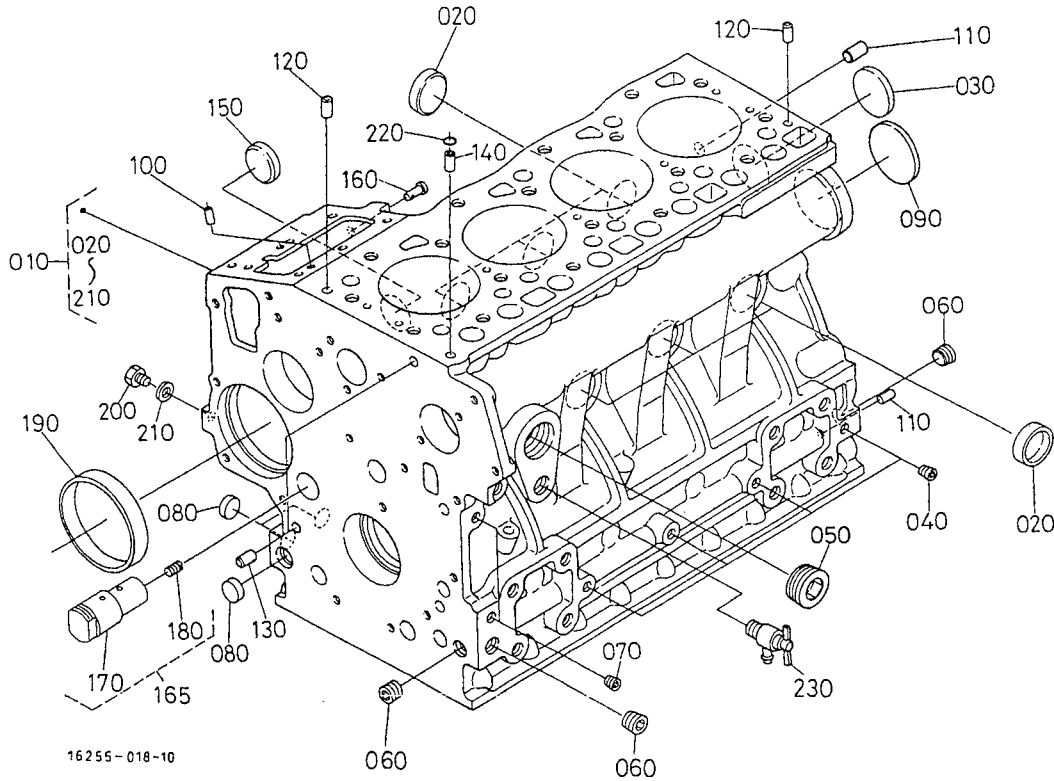
| REF No POS.No BILD-Nr | PART No. REFERENCE BESTELL-Nr. | PART NAME | DESIGNATION | BEZEICHNUNG | Q' TY/S. No. Q' TE/No. S. STUECK/S. Nr. | | | | I.C. | REMARKS REMARQUES BEMERKUNGEN |
|-----------------------------|--------------------------------------|---------------------|------------------------|-----------------------|---|---------|---------|---------|------|-------------------------------------|
| | | | | | A | B | C | D | | |
| 010 | 17558-0101-0 | COMP. CRANKCASE | BLOC MOTEUR COMPLET | KOMP. KURBELGEHAEUSE | ~741870 | ~741870 | ~741870 | ~741870 | | |
| 010 | 17558-0101-0 | COMP. CRANKCASE | BLOC MOTEUR COMPLET | KOMP. KURBELGEHAEUSE | 10001~ | 10001~ | 10001~ | 10001~ | | |
| 010 | 17558-0101-0 | COMP. CRANKCASE | BLOC MOTEUR COMPLET | KOMP. KURBELGEHAEUSE | ~116859 | ~116859 | ~116859 | ~116859 | | |
| 010 | 17558-0101-2 | COMP. CRANKCASE | BLOC MOTEUR COMPLET | KOMP. KURBELGEHAEUSE | 116860~ | 116860~ | 116860~ | 116860~ | | |
| 010 | 17558-0101-3 | COMP. CRANKCASE | BLOC MOTEUR COMPLET | KOMP. KURBELGEHAEUSE | YE0001~ | YE0001~ | YE0001~ | YE0001~ | | |
| 010 | 17558-0101-4 | COMP. CRANKCASE | BLOC MOTEUR COMPLET | KOMP. KURBELGEHAEUSE | YL0001~ | YL0001~ | YL0001~ | YL0001~ | | # |
| 010 | 17558-0101-5 | COMP. CRANKCASE | BLOC MOTEUR COMPLET | KOMP. KURBELGEHAEUSE | 1G0001~ | 1G0001~ | 1G0001~ | 1G0001~ | | # |
| 020 | 15451-9627-0 | CAP, SEALING | PASTILLE | STEPSSEL, ABDICHTU | 6 | 6 | 6 | 6 | | |
| 030 | 15221-0349-0 | CAP, SEALING | PASTILLE | STEPSSEL, ABDICHTU | 1 | 1 | 1 | 1 | | |
| 040 | 15261-9601-0 | PLUG | BOUCHON | STOPFEN | 4 | 4 | 4 | 4 | | |
| 050 | 16271-9602-2 | PLUG | BOUCHON | STOPFEN | 1 | 1 | 1 | 1 | | |
| 050 | 16683-9602-0 | PLUG | BOUCHON | STOPFEN | ~527074 | ~527074 | ~527074 | ~527074 | | |
| 060 | 16241-9601-0 | PLUG | BOUCHON | STOPFEN | 527075~ | 527075~ | 527075~ | 527075~ | | |
| 070 | 15521-9602-0 | PLUG | BOUCHON | STOPFEN | 3 | 3 | 3 | 3 | | |
| 080 | 06311-75018 | PLUG, EXPANSION | BOUCHON EXPANSIBLE | STOEPSSEL, AUSDEHNUNG | 2 | 2 | 2 | 2 | | |
| 080 | 17391-9616-0 | PLUG, EXPANSION | BOUCHON EXPANSIBLE | STOEPSSEL, AUSDEHNUNG | 3 | 3 | 3 | 3 | | |
| 090 | 16271-9616-0 | PLUG, EXPANSION | BOUCHON EXPANSIBLE | STOEPSSEL, AUSDEHNUNG | ~308554 | ~308554 | ~308554 | ~308554 | | |
| 100 | 05012-00508 | PIN, STRAIGHT | GOUPILLE CYLINDRIQUE | ZYLINDERSTIFT | 308555~ | 308555~ | 308555~ | 308555~ | | |
| 100 | 16225-9451-0 | PIN, STRAIGHT | GOUPILLE CYLINDRIQUE | ZYLINDERSTIFT | 1 | 1 | 1 | 1 | | |
| 110 | 05012-00814 | PIN, STRAIGHT | GOUPILLE CYLINDRIQUE | ZYLINDERSTIFT | ~WT2678 | ~WT2678 | ~WT2678 | ~WT2678 | | |
| 110 | 16221-9453-0 | PIN, STRAIGHT | GOUPILLE CYLINDRIQUE | ZYLINDERSTIFT | 2 | 2 | 2 | 2 | | |
| 120 | 05012-00610 | PIN, STRAIGHT | GOUPILLE CYLINDRIQUE | ZYLINDERSTIFT | WU0001~ | WU0001~ | WU0001~ | WU0001~ | | |
| 120 | 16221-9452-0 | PIN, STRAIGHT | GOUPILLE CYLINDRIQUE | ZYLINDERSTIFT | ~WT2678 | ~WT2678 | ~WT2678 | ~WT2678 | | |
| 130 | 15231-3396-0 | PIN, PIPE | GICLEUR | ROHRSTIFT | 2 | 2 | 2 | 2 | | |
| 140 | 16241-3365-0 | PIN, PIPE | GICLEUR | ROHRSTIFT | WU0001~ | WU0001~ | WU0001~ | WU0001~ | | |
| 150 | 16241-9626-0 | PLUG | BOUCHON | STOPFEN | 1 | 1 | 1 | 1 | | |
| 150 | 16241-9626-2 | PLUG, FUEL CAMSHAFT | BOUCHON | STOPFEN | ~49889 | ~49889 | ~49889 | ~49889 | | |
| 160 | 15221-5628-0 | PIN, START SPRING | GOUPILLE DU RESSORT | STARTFEDERSTIFT | 49890~ | 49890~ | 49890~ | 49890~ | | |
| 160 | 16221-5628-0 | PIN, START SPRING | GOUPILLE DU RESSORT | STARTFEDERSTIFT | ~WT2678 | ~WT2678 | ~WT2678 | ~WT2678 | | |
| 165 | 16241-2406-0 | COMP SHAFT, IDLE | COMP. ARBRE D' INTERM. | KOMP. FREILAUFWELLE | WU0001~ | WU0001~ | WU0001~ | WU0001~ | | |

0001

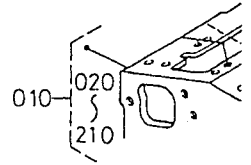
CRANKCASE
BLOC MOTEUR
KURBELGEHAUSE

B01-L1

REV.JUN. 20 '02



010 17558-0101-2



16255-018-10

16285-807-10

A:V1505-BB(EBB)-EC-1 B:V1505-BB(EBB)-SAE-EC-1 C:V1505-BB(EBB)-EC-STD-3 D:V1505-BBS(EBBS)-EC-1

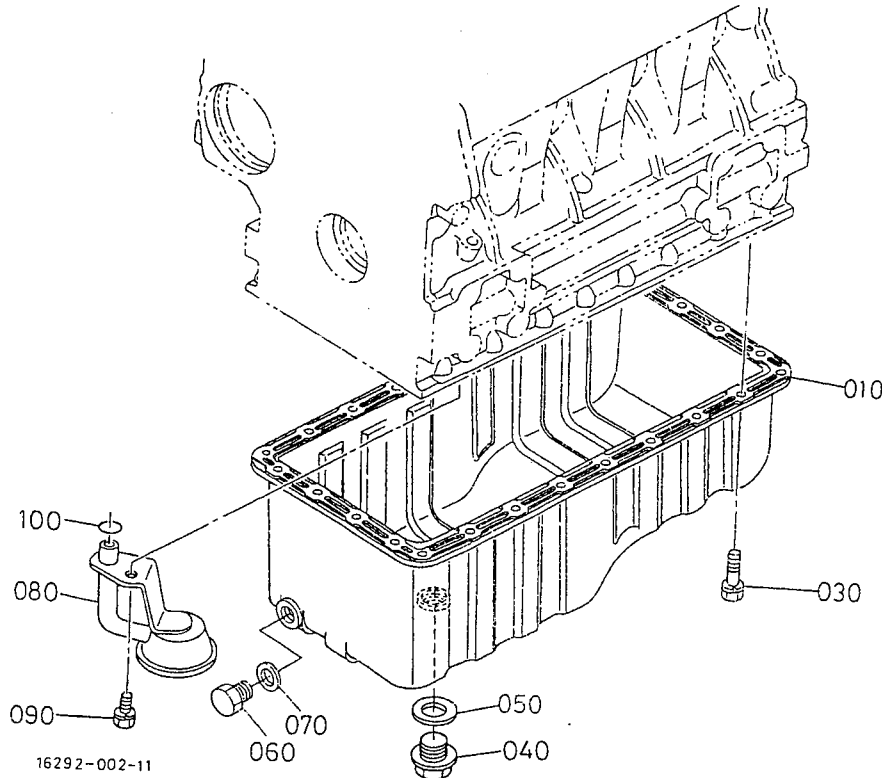
| REF. No. POS No. BILD-Nr. | PART No. REFERENCE BESTELL-Nr. | PART NAME | DESIGNATION | BEZEICHNUNG | Q' TY/S. No. Q' TE/No. S. STUECK/S. Nr. | | | | I.C. | REMARKS REMARQUES BEMERKUNGEN |
|---------------------------------|--------------------------------------|---------------------|----------------------|----------------------|---|---|---|---|------|-------------------------------------|
| | | | | | A | B | C | D | | |
| 170 | 16241-2426-0 | SHAFT, IDLE GEAR | ARBRE DE PIGNON FOU | WELLE, FREILAUFGETR. | 1 | 1 | 1 | 1 | | |
| 180 | 15521-9361-0 | SCREW, SET | VIS D'ARRET | ANSCHLAGSCHRAUBE | 1 | 1 | 1 | 1 | | |
| 190 | 16271-5535-0 | BUSH, GOVERNOR GEAR | BAGUE DE REG. PIGNON | BUCHSE | 1 | 1 | 1 | 1 | | |
| 200 | 15221-3361-0 | PLUG | BOUCHON | STOPFEN | 1 | 1 | 1 | 1 | | |
| 210 | 15021-3366-0 | GASKET | JOINT | DICHTUNGSPLATTE | 1 | 1 | 1 | 1 | | |
| 220 | 15221-3370-0 | O RING | JOINT TORIQUE | O RING | 1 | 1 | 1 | 1 | | |
| 230 | 15841-7302-0 | ASSY COCK, DRAIN | ENS, ROBINET VIDANGE | GRP, ABLASSHAHN | 1 | 1 | 1 | 1 | | |
| | | | | | | | | | | |
| | | | | | | | | | | |
| | | | | | | | | | | |
| | | | | | | | | | | |
| | | | | | | | | | | |
| | | | | | | | | | | |
| | | | | | | | | | | |
| | | | | | | | | | | |
| | | | | | | | | | | |
| | | | | | | | | | | |
| | | | | | | | | | | |
| | | | | | | | | | | |
| | | | | | | | | | | |
| | | | | | | | | | | |
| | | | | | | | | | | |

0002

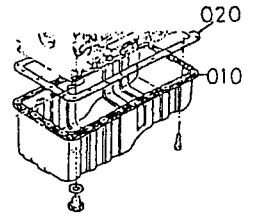
OIL PAN
CARTER D' HUILE
OELWANNE

B01-R

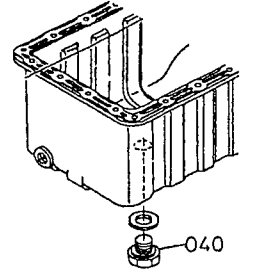
REV. JUN. 20 '02



010 16285-0150-0
020 16299-0162-0



040 16541-3375-0



16255-800-11

A:V1505-BB(EBB)-EC-1 B:V1505-BB(EBB)-SAE-EC-1 C:V1505-BB(EBB)-EC-STD-3 D:V1505-BBS(EBBS)-EC-1

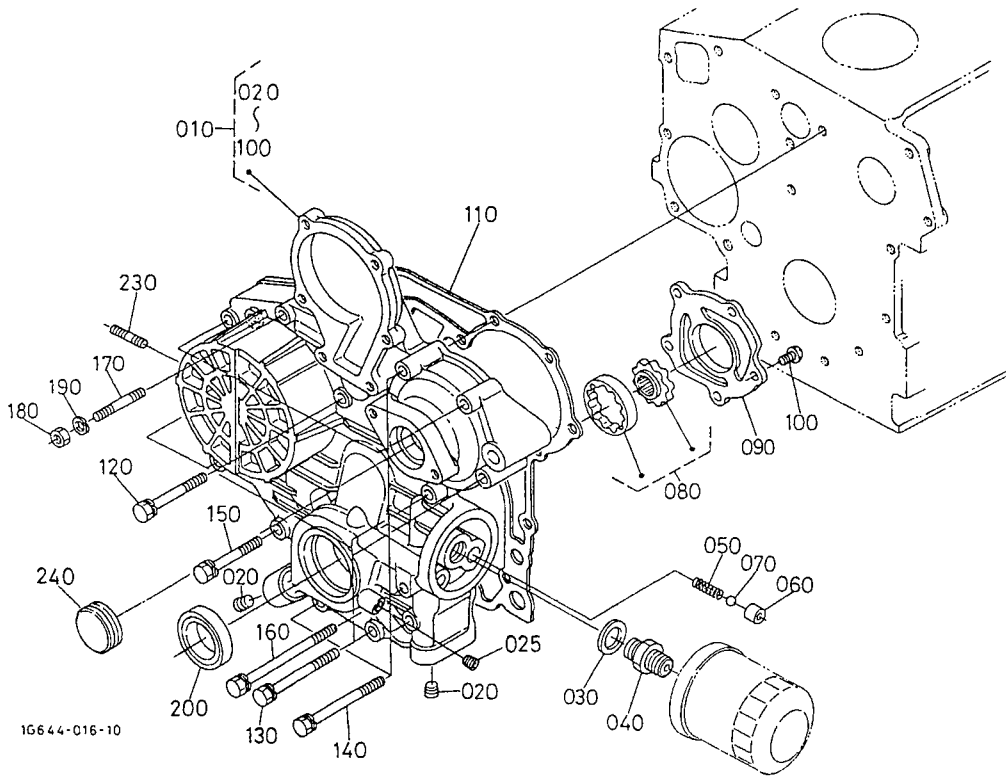
| REF. No. POS. No. BLD-Nr. | PART No. REFERENCE BESTELL-Nr. | PART NAME | DESIGNATION | BEZEICHNUNG | Q' TY/S. No. Q' TE/No. S. STUECK/S. Nr. | | | | I.C. | REMARKS REMARQUES BEMERKUNGEN |
|---------------------------------|--------------------------------------|-----------------|-----------------------|-----------------------|---|---------|---------|---------|------|-------------------------------------|
| | | | | | A | B | C | D | | |
| 010 | 16285-0150-0 | COMP. OIL PAN | CARTER D' HUILE COMP. | KOMP. OELWANNE | ~468068 | ~468068 | ~468068 | ~468068 | | |
| 010 | 16616-0150-0 | COMP. OIL PAN | CARTER D' HUILE COMP. | KOMP. OELWANNE | 468069 | 468069 | 468069 | 468069 | | |
| 020 | 16299-0162-0 | GASKET, OIL PAN | JOINT | DICHTUNG, OEL FAENGER | ~542028 | ~542028 | ~542028 | ~542028 | | |
| 030 | 01023-50612 | BOLT | VIS | BOLZEN | 26 | 26 | 26 | 26 | | |
| 040 | 16541-3375-0 | PLUG, DRAIN | BOUCHON DE VIDANGE | ENTLEERUNGSSTOPFEN | ~635503 | ~635503 | ~635503 | ~635503 | | # |
| 040 | 15707-3375-0 | PLUG, DRAIN | BOUCHON DE VIDANGE | ENTLEERUNGSSTOPFEN | 635504 | 635504 | 635504 | 635504 | | # |
| 040 | 16286-3375-0 | PLUG, DRAIN | BOUCHON DE VIDANGE | ENTLEERUNGSSTOPFEN | Y00001 | Y00001 | Y00001 | Y00001 | | # |
| 050 | 15451-9667-0 | GASKET | JOINT | DICHTUNGSPLATTE | | | | | | |
| 060 | 15221-3375-0 | PLUG | BOUCHON | STOPFEN | 468069 | 468069 | 468069 | 468069 | | |
| 070 | 15109-3366-0 | GASKET | JOINT | DICHTUNGSPLATTE | 468069 | 468069 | 468069 | 468069 | | |
| 070 | 6C090-5896-0 | GASKET | JOINT | DICHTUNGSPLATTE | W00001 | W00001 | W00001 | W00001 | | |
| 080 | 16241-3211-4 | FILTER, OIL | FILTRE D' HUILE | OELFILTER | ~XG7689 | ~XG7689 | ~XG7689 | ~XG7689 | | |
| 080 | 16226-3211-0 | FILTER, OIL | FILTRE D' HUILE | OELFILTER | XJ0001 | XJ0001 | XJ0001 | XJ0001 | | |
| 090 | 01123-50816 | BOLT | VIS | BOLZEN | | | | | | |
| 100 | 04811-00160 | O RING | JOINT TORIQUE | O RING | ~WH4333 | ~WH4333 | ~WH4333 | ~WH4333 | | |
| 100 | 04814-00160 | O RING | JOINT TORIQUE | O RING | WJ0001 | WJ0001 | WJ0001 | WJ0001 | | |

0004

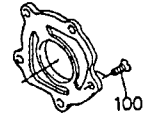
GEAR CASE
CARTER DE DISTRIBUTION
GETRIEBEGEHAEUSE

B02-R

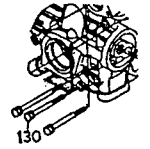
REV. JUN. 20 '02



100 16241-9312-0



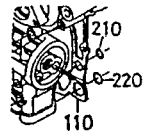
130 01023-60650



110 16264-0413-0

210 04814-06100

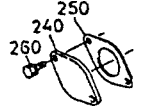
220 04814-00150



240 16285-8334-0

250 16299-8813-0

260 01023-50616



1G664-800-10

A:V1505-BB(EBB)-EC-1 B:V1505-BB(EBB)-SAE-EC-1 C:V1505-BB(EBB)-EC-STD-3 D:V1505-BBS(EBBS)-EC-1

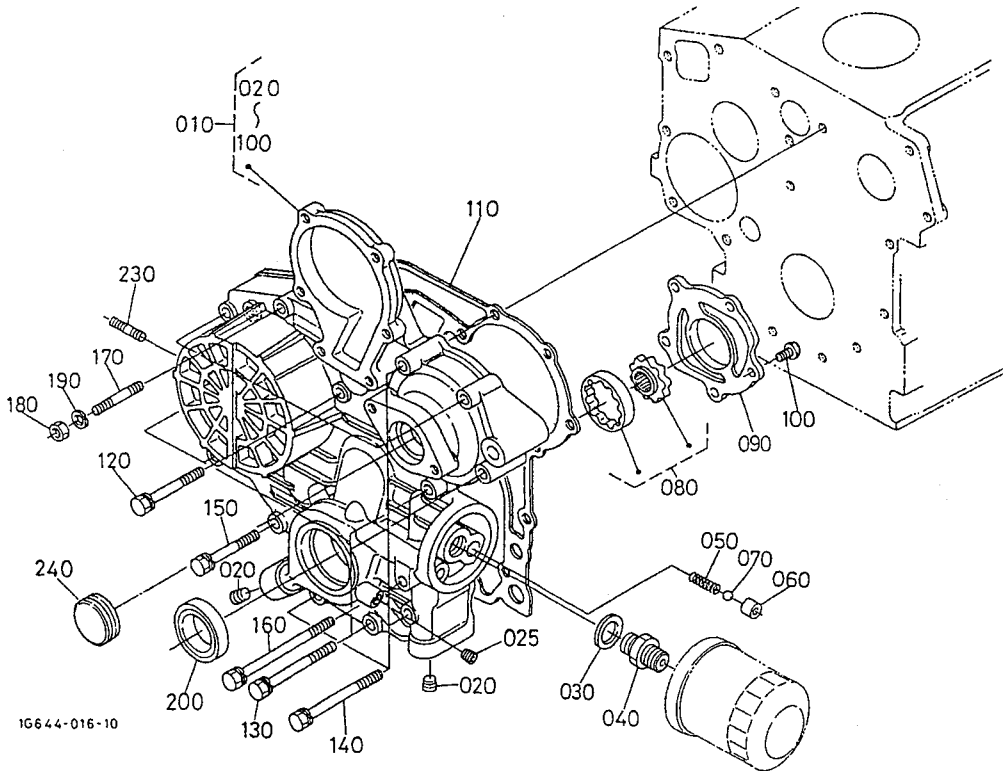
| REF. No. POS. No. BILD-Nr. | PART No. REFERENCE BESTELL-Nr. | PART NAME | DESIGNATION | BEZEICHNUNG | Q'TY/S. No. Q'TE/No. S. STUECK/S. Nr. | | | | REMARKS REMARQUES BEMERKUNGEN |
|----------------------------------|--------------------------------------|----------------------|----------------------|-----------------------|---|---------|---------|---------|-------------------------------------|
| | | | | | A | B | C | D | |
| 010 | 16271-0402-0 | COMP. CASE, GEAR | CARTER DISTR. COMP. | KMP. GETRIEBEGEHAEUSE | ~1Q7969 | ~1Q7969 | ~1Q7969 | ~1Q7969 | # |
| 010 | 16271-0402-5 | COMP. CASE, GEAR | CARTER DISTR. COMP. | KMP. GETRIEBEGEHAEUSE | 1S0005 | 1S0005 | 1S0005 | 1S0005 | # |
| 010 | 16251-0402-7 | COMP. CASE, GEAR | CARTER DISTR. COMP. | KMP. GETRIEBEGEHAEUSE | 1W0006 | 1W0006 | 1W0006 | 1W0006 | # |
| 020 | 16241-9602-0 | PLUG | BOUCHON | STOPFEN | 2 | 2 | 2 | 2 | |
| 025 | 15521-9602-0 | PLUG | BOUCHON | STOPFEN | 1W0006 | 1W0006 | 1W0006 | 1W0006 | # |
| 030 | 04011-50180 | WASHER, PLAIN | RONDELLE FREIN | SCHEIBE | 1 | 1 | 1 | 1 | |
| 040 | 15241-3229-0 | JOINT, PIPE | RACCORD DE TUYAU | VERBINDUNGSSTUECK | 1 | 1 | 1 | 1 | |
| 050 | 16241-3695-0 | SPRING | RESSORT | FEDER | 1 | 1 | 1 | 1 | |
| 060 | 16241-3693-0 | SEAT, VALVE | SIEGE DE SOUPAPE | SITZ, VENTIL | 1 | 1 | 1 | 1 | |
| 070 | 07715-00201 | BALL | BILLE | KUGEL | 1 | 1 | 1 | 1 | |
| 080 | 16241-3507-0 | ASSY ROTOR, OIL PUMP | ROTOR DE POMPE HUILE | OLFORDERPUMPE LAUFER | 1 | 1 | 1 | 1 | |
| 090 | 16241-3513-0 | COVER, OIL PUMP | COUV. POMPE A HUILE | OELPUMPEDECKEL | ~1U7903 | ~1U7903 | ~1U7903 | ~1U7903 | # |
| 090 | 16251-3513-0 | COVER, OIL PUMP | COUV. POMPE A HUILE | OELPUMPEDECKEL | 1W0006 | 1W0006 | 1W0006 | 1W0006 | #NOT SALE |
| 100 | 16241-9312-0 | SCREW, CSK-HD | VIS | SCHRAUBE | ~1U7903 | ~1U7903 | ~1U7903 | ~1U7903 | # |
| 100 | 03017-50620 | SCREW, CR-REC-BD-HD | VIS | SCHRAUBE | 1W0006 | 1W0006 | 1W0006 | 1W0006 | # |
| 110 | 16264-0413-0 | GASKET, GEAR CASE | JOINT | DICHTUNGGETRIEBEGEH. | ~1Q7969 | ~1Q7969 | ~1Q7969 | ~1Q7969 | # |
| 110 | 16264-0413-2 | GASKET, GEAR CASE | JOINT | DICHTUNGGETRIEBEGEH. | 1S0005 | 1S0005 | 1S0005 | 1S0005 | # |
| 120 | 01023-50645 | BOLT | VIS | BOLZEN | 3 | 3 | 3 | 3 | |
| 130 | 01023-60650 | BOLT | VIS | BOLZEN | ~1U7903 | ~1U7903 | ~1U7903 | ~1U7903 | # |
| 130 | 01023-60650 | BOLT | VIS | BOLZEN | 1W0006 | 1W0006 | 1W0006 | 1W0006 | # |
| 140 | 01023-50655 | BOLT | VIS | BOLZEN | ~1U7903 | ~1U7903 | ~1U7903 | ~1U7903 | # |
| 140 | 01023-50655 | BOLT | VIS | BOLZEN | 1W0006 | 1W0006 | 1W0006 | 1W0006 | # |
| 150 | 15841-9104-0 | BOLT | VIS | BOLZEN | ~1U7903 | ~1U7903 | ~1U7903 | ~1U7903 | # |
| 150 | 01023-50665 | BOLT | VIS | BOLZEN | 1W0006 | 1W0006 | 1W0006 | 1W0006 | # |
| 160 | 16241-9104-0 | BOLT | VIS | BOLZEN | 1 | 1 | 1 | 1 | |
| 170 | 01513-50645 | BOLT, STUD | GOUJON PRISONNIER | STEBBOLZEN | ~WH4333 | ~WH4333 | ~WH4333 | ~WH4333 | # |
| 170 | 16245-9153-0 | STUD | GOUJON | STEBBOLZEN | WJ0001 | WJ0001 | WJ0001 | WJ0001 | # |
| 180 | 02056-50060 | NUT | ECROU | MUTTER | 1 | 1 | 1 | 1 | |
| 190 | 04512-60060 | WASHER, SPRING | RONDELLE GROWER | FEDERRING | 1 | 1 | 1 | 1 | |
| 200 | 16241-0421-2 | SEAL, OIL | BAGUE JOINT | OELDICHTUNGSRING | 1 | 1 | 1 | 1 | |

0004

GEAR CASE
CARTER DE DISTRIBUTION
GETRIEBEGEHAUSE

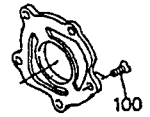
B03-L

REV. JUN. 20 '02

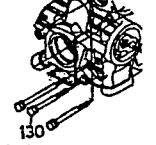


1G644-016-10

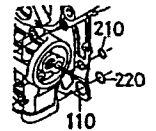
100 16241-9312-0



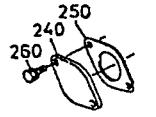
130 01023-60650



110 16264-0413-0
210 04814-06100
220 04814-00150



240 16285-8334-0
250 16299-8813-0
260 01023-50616



1G664-800-10

A:V1505-BB(EBB)-EC-1 B:V1505-BB(EBB)-SAE-EC-1 C:V1505-BB(EBB)-EC-STD-3 D:V1505-BBS(EBBS)-EC-1

| REF No POS.No BILD-Nr | PART No. REFERENCE BESTELL-Nr. | PART NAME | DESIGNATION | BEZEICHNUNG | Q' TY/S. No. Q' TE/No. S. STUECK/S. Nr. | | | | I.C. | REMARKS REMARQUES BEMERKUNGEN |
|-----------------------------|--------------------------------------|----------------------|----------------------|------------------------|---|--------------|--------------|--------------|------|-------------------------------------|
| | | | | | A | B | C | D | | |
| 210 | 04811-06100 | O RING | JOINT TORIQUE | O RING | ~WH4333 2 | ~WH4333 2 | ~WH4333 2 | ~WH4333 2 | | |
| 210 | 04814-06100 | O RING | JOINT TORIQUE | O RING | WJ0001 2 | WJ0001 2 | WJ0001 2 | WJ0001 2 | | |
| 210 | 04814-06100 | RING | BAGUE | RING | ~1Q7969 2 | ~1Q7969 2 | ~1Q7969 2 | ~1Q7969 2 | # | |
| 220 | 04811-00150 | O RING | JOINT TORIQUE | O RING | ~WH4333 2 | ~WH4333 2 | ~WH4333 2 | ~WH4333 2 | | |
| 220 | 04814-00150 | O RING | JOINT TORIQUE | O RING | WJ0001 2 | WJ0001 2 | WJ0001 2 | WJ0001 2 | | |
| 220 | 04814-00150 | RING | BAGUE | RING | ~1Q7969 2 | ~1Q7969 2 | ~1Q7969 2 | ~1Q7969 2 | # | |
| 230 | 16245-9154-0 | STUD | GOUJON | STEBBOLZEN | 2 | 2 | 2 | 2 | | |
| 240 | 16285-8334-0 | COVER | COUVERCLE | DECKEL | ~475253 1 | ~475253 1 | ~475253 1 | ~475253 1 | | |
| 240 | 16264-8334-0 | COVER, GEAR CASE | COUV. CARTER DISTRIB | DECKEL, GETRIEBEGEHAUS | 475254 1 | 475254 1 | 475254 1 | 475254 1 | | |
| 240 | 16264-8334-0 | COVER, GEAR CASE | COUV. CARTER DISTRIB | DECKEL, GETRIEBEGEHAUS | ~741870 1 | ~741870 1 | ~741870 1 | ~741870 1 | | |
| 240 | 16264-8334-0 | COVER, GEAR CASE | COUV. CARTER DISTRIB | DECKEL, GETRIEBEGEHAUS | 10001 1 | 10001 1 | 10001 1 | 10001 1 | | |
| 240 | 16264-8334-2 | COVER, GEAR CASE | COUV. CARTER DISTRIB | DECKEL, GETRIEBEGEHAUS | 15686 1 | 15686 1 | 15686 1 | 15686 1 | | |
| 250 | 16264-8813-0 | GASKET, H/METER UNIT | JOINT | DICHTUNG, STUNDENMESS | ~475253 2 | ~475253 2 | ~475253 2 | ~475253 2 | | |
| 260 | 01023-50616 | BOLT | VIS | BOLZEN | ~475253 2 | ~475253 2 | ~475253 2 | ~475253 2 | | |

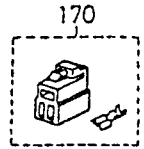
0402

ALTERNATOR AND PULLEY
ALTERNATEUR
WECHSELSTROMMASCHINE

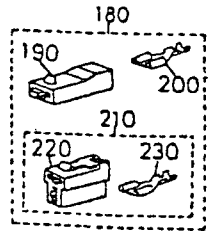
B16-L

REV. JUN. 20 '02

170 16259-6583-0

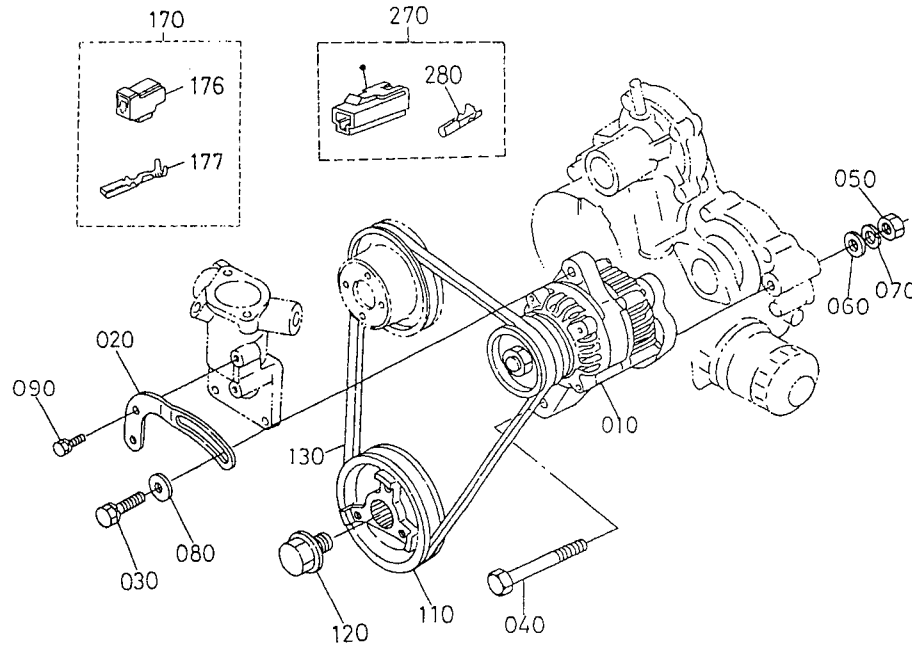


- 180 16239-6583-0
- 190 16239-6588-0
- 200 16239-6577-0
- 210 19838-6583-0
- 220 19872-6588-0
- 230 19237-6591-0



16285-806-10

1E058-002-21



A:V1505-BB(EBB)-EC-1 B:V1505-BB(EBB)-SAE-EC-1 C:V1505-BB(EBB)-EC-STD-3 D:V1505-BBS(EBBS)-EC-1

| REF. No. POS. No. BILD-Nr. | PART No. REFERENCE BESTELL-Nr. | PART NAME | DESIGNATION | BEZEICHNUNG | Q' TY/S. No. Q' TE/No. S. STUECK/S. Nr. | | | | I.C. | REMARKS REMARQUES BEMERKUNGEN |
|----------------------------------|--------------------------------------|---------------------|-----------------------|-----------------------|---|---------|---------|---------|------|-------------------------------------|
| | | | | | A | B | C | D | | |
| 010 | 16241-6401-0 | ASSY ALTERNATOR | ALTERNATEUR COMPLET | GRP. WECHSELSTROMDYN. | ~XZ0500 | ~XZ0500 | ~XZ0500 | ~XZ0500 | | |
| 010 | 16678-6401-0 | ASSY ALTERNATOR | ALTERNATEUR COMPLET | GRP. WECHSELSTROMDYN. | YA0001 | YA0001 | YA0001 | YA0001 | | |
| 010 | 16678-6401-2 | ASSY ALTERNATOR | ALTERNATEUR COMPLET | GRP. WECHSELSTROMDYN. | 1S0005 | 1S0005 | 1S0005 | 1S0005 | | # |
| 020 | 16241-6442-0 | STAY, DYNAMO | TENDEUR | DYNAMOSTANGE | 1 | 1 | 1 | 1 | | |
| 030 | 01123-50825 | BOLT | VIS | BOLZEN | ~WH4333 | ~WH4333 | ~WH4333 | ~WH4333 | | |
| 030 | 01123-50830 | BOLT | VIS | BOLZEN | WJ0001 | WJ0001 | WJ0001 | WJ0001 | | |
| 040 | 01173-51085 | BOLT | VIS | BOLZEN | 1 | 1 | 1 | 1 | | |
| 050 | 02176-50100 | NUT | ECROU | MUTTER | 1 | 1 | 1 | 1 | | |
| 060 | 04011-50100 | WASHER, PLAIN | RONDELLE FREIN | SCHEIBE | 1 | 1 | 1 | 1 | | |
| 070 | 04512-60100 | WASHER, SPRING | RONDELLE GROWER | FEDERRING | 1 | 1 | 1 | 1 | | |
| 080 | 04015-60080 | WASHER, PLAIN | RONDELLE FREIN | SCHEIBE | 1 | 1 | 1 | 1 | | |
| 090 | 01023-50616 | BOLT | VIS | BOLZEN | 1 | 1 | 1 | 1 | | |
| 100 | ---- | BLANK | BLANC | LEERE SPALTE | - | - | - | - | | |
| 110 | 16249-7428-0 | PULLEY, FAN DRIVE | POULIE ENTRAIN. VENT. | RIEMENSCHLEIBE | 1 | 1 | 1 | 1 | | |
| 120 | 16241-9102-0 | BOLT, FAN DRIVE | VIS | BOLZEN | 1 | 1 | 1 | 1 | | |
| 130 | 16241-9701-0 | V BELT | COURROIE | RIEMEN | ~248676 | ~248676 | ~248676 | ~248676 | | 37.0IN |
| 130 | 16282-9701-0 | V BELT | COURROIE | RIEMEN | 248677 | 248677 | 248677 | 248677 | | 37.5IN |
| 140 | 19838-6583-0 | ASSY COUPLER | ENS. COUPLEUR | GRP. KUPPLER | ~XZ0500 | ~XZ0500 | ~XZ0500 | ~XZ0500 | | |
| 140 | 16678-6583-0 | ASSY CONNECTOR, 2 | ENS. CONNECTEUR | GRP. ANSCHLUBE | YA0001 | YA0001 | YA0001 | YA0001 | | |
| 150 | 19872-6588-0 | CONNECTOR | CONNECTEUR | ANSCHLUBE | ~XZ0500 | ~XZ0500 | ~XZ0500 | ~XZ0500 | | |
| 150 | 16631-6584-0 | CONNECTOR | CONNECTEUR | ANSCHLUBE | YA0001 | YA0001 | YA0001 | YA0001 | | |
| 160 | 19237-6591-0 | TERMINAL | DEBORNE | ANSCHLUBKLEMME | ~XZ0500 | ~XZ0500 | ~XZ0500 | ~XZ0500 | | |
| 160 | 19237-6591-0 | TERMINAL | DEBORNE | ANSCHLUBKLEMME | YA0001 | YA0001 | YA0001 | YA0001 | | |
| 170 | 16259-6583-0 | ASSY COUPLER, LOCK | ENS. COUPLEUR VERROU | GRP. KUPPLERKONTERMU. | ~XZ0500 | ~XZ0500 | ~XZ0500 | ~XZ0500 | | |
| 170 | 1C010-6583-0 | ASSY COUPLER | ENS. COUPLEUR | GRP. KUPPLER | YA0001 | YA0001 | YA0001 | YA0001 | | |
| 176 | 1C010-6588-0 | CONNECTOR | CONNECTEUR | ANSCHLUBE | YA0001 | YA0001 | YA0001 | YA0001 | | |
| 177 | 1C010-6591-0 | TERMINAL | DEBORNE | ANSCHLUBKLEMME | YA0001 | YA0001 | YA0001 | YA0001 | | |
| 180 | 16239-6583-0 | ASSY COUPLER, RELAY | ENS. COUPLEUR RELAIS | GRP. KUPPLERRELAIS | ~XZ0500 | ~XZ0500 | ~XZ0500 | ~XZ0500 | | |
| 190 | 16239-6588-0 | CONNECTOR | CONNECTEUR | ANSCHLUBE | ~XZ0500 | ~XZ0500 | ~XZ0500 | ~XZ0500 | | |
| 200 | 16239-6577-0 | TERMINAL | DEBORNE | ANSCHLUBKLEMME | ~XZ0500 | ~XZ0500 | ~XZ0500 | ~XZ0500 | | |

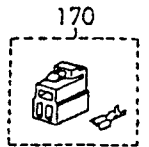
0402

ALTERNATOR AND PULLEY
ALTERNATEUR
WECHSELSTROMMASCHINE

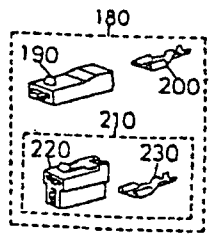
B16-L1

REV. JUN. 20 '02

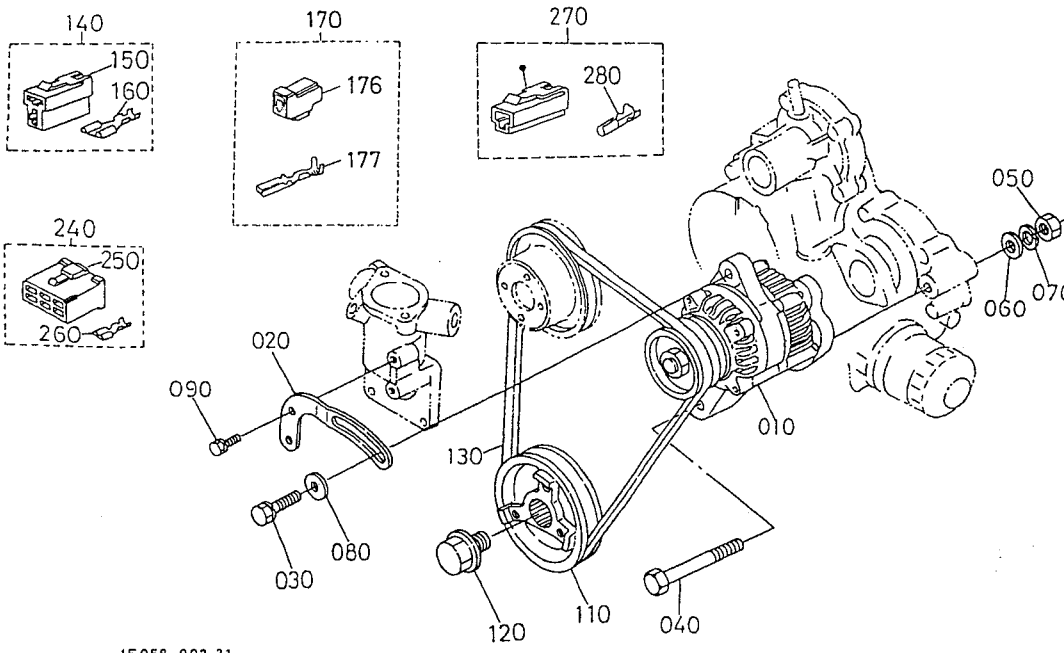
170 16259-6583-0



- 180 16239-6583-0
- 190 16239-6588-0
- 200 16239-6577-0
- 210 19838-6583-0
- 220 19872-6588-0
- 230 19237-6591-0



16285-806-10



1E058-002-21

A:V1505-BB(EBB)-EC-1 B:V1505-BB(EBB)-SAE-EC-1 C:V1505-BB(EBB)-EC-STD-3 D:V1505-BBS(EBBS)-EC-1

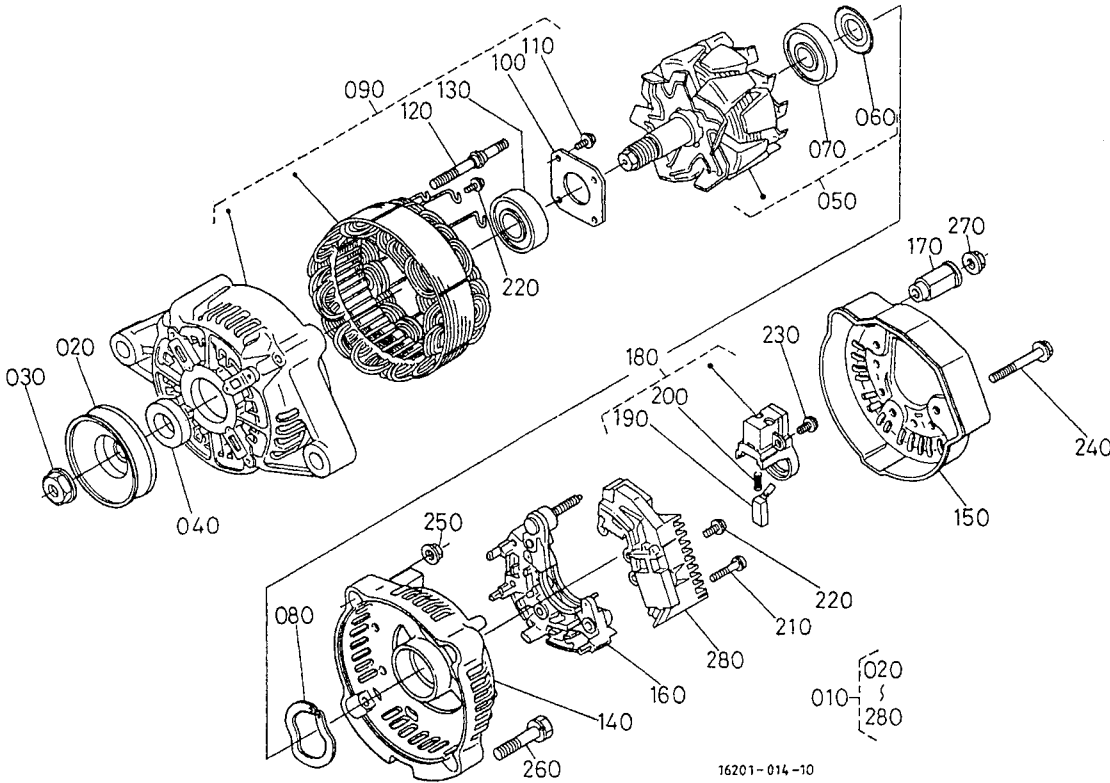
| REF. No. POS. No. BLD-No. | PART No. REFERENCE BESTELL-Nr. | PART NAME | DESIGNATION | BEZEICHNUNG | Q' TY/S. No. Q' TE/No. S. STUECK/S. Nr. | | | | I.C. | REMARKS REMARQUES BEMERKUNGEN |
|---------------------------------|--------------------------------------|-----------------------|-----------------------|-----------------------|---|---------|---------|---------|------|-------------------------------------|
| | | | | | A | B | C | D | | |
| 210 | 19838-6583-0 | ASSY COUPLER | ENS. COUPLEUR | GRP. KUPPLER | ~XZ0500 | ~XZ0500 | ~XZ0500 | ~XZ0500 | | |
| 220 | 19872-6588-0 | CONNECTOR | CONNECTEUR | ANSCHLUBE | 1 | 1 | 1 | 1 | | |
| 230 | 19237-6591-0 | TERMINAL | DEBORNE | ANSCHLUBKLEMME | 2 | 2 | 2 | 2 | | # CORRECTION |
| 240 | 16662-6583-0 | ASSY COUPLER, CONNec. | ENS. COUPLEUR CONNec. | GRP. KUPPLERANSCHLUBE | 1 | 1 | 1 | 1 | | |
| 250 | 19872-6584-0 | CONNECTOR | CONNECTEUR | ANSCHLUBE | 1 | 1 | 1 | 1 | | |
| 260 | 19237-6591-0 | TERMINAL | DEBORNE | ANSCHLUBKLEMME | 5 | 5 | 5 | 5 | | |
| 270 | 19215-6375-0 | TERMINAL | DEBORNE | ANSCHLUBKLEMME | 1 | 1 | 1 | 1 | | |
| 280 | 19844-6577-0 | TERMINAL | DEBORNE | ANSCHLUBKLEMME | 1 | 1 | 1 | 1 | | |
| | | | | | | | | | | |
| | | | | | | | | | | |
| | | | | | | | | | | |
| | | | | | | | | | | |
| | | | | | | | | | | |
| | | | | | | | | | | |
| | | | | | | | | | | |
| | | | | | | | | | | |
| | | | | | | | | | | |
| | | | | | | | | | | |
| | | | | | | | | | | |
| | | | | | | | | | | |
| | | | | | | | | | | |
| | | | | | | | | | | |
| | | | | | | | | | | |
| | | | | | | | | | | |
| | | | | | | | | | | |
| | | | | | | | | | | |
| | | | | | | | | | | |
| | | | | | | | | | | |
| | | | | | | | | | | |

0403

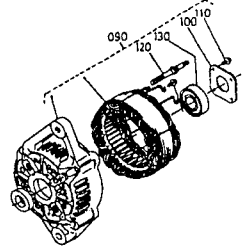
ALTERNATOR [COMPONENT PARTS]
 ALTERNATEUR [PARTIES COMPOSANTES]
 WECHSELSTROMMASCHINE [EINZEL-TEIL]

B16-R

REV. JUN. 20 '02



090 15881-6402-0



16201-014-10

16255-806-10

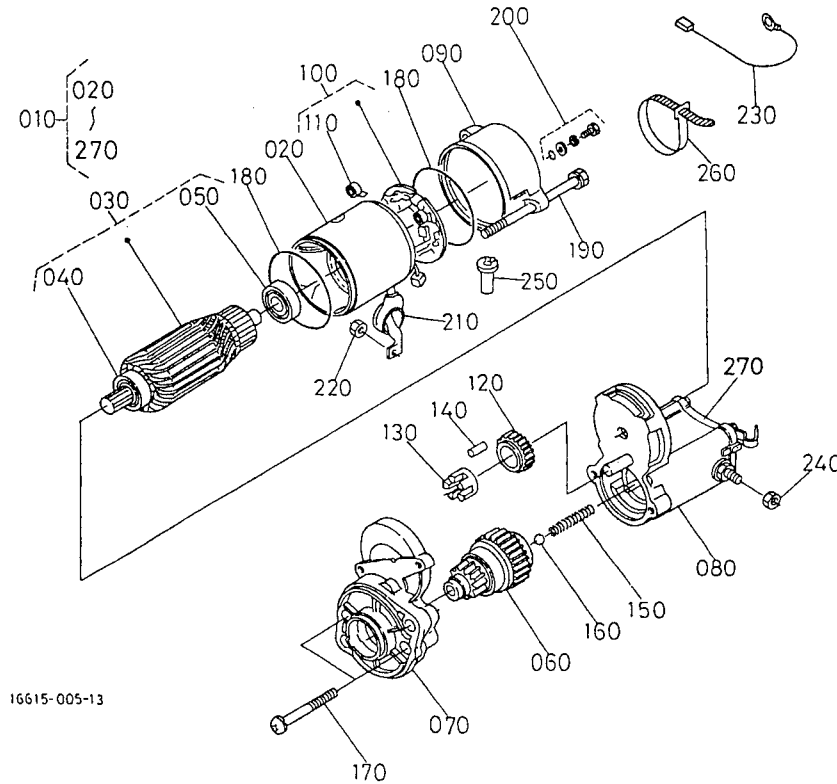
A:V1505-BB(EBB)-EC-1 B:V1505-BB(EBB)-SAE-EC-1 C:V1505-BB(EBB)-EC-STD-3 D:V1505-BBS(EBBS)-EC-1

| REF. No. POS No. BILD-Nr. | PART No. REFERENCE BESTELL-Nr. | PART NAME | DESIGNATION | BEZEICHNUNG | Q'TY/S. No. Q'TE/No. S. STUECK/S. Nr. | | | | I.C. | REMARKS REMARQUES BEMERKUNGEN |
|---------------------------------|--------------------------------------|-----------------------|----------------------|------------------------|---|---------|---------|---------|------|-------------------------------------|
| | | | | | A | B | C | D | | |
| 010 | 16241-6401-0 | ASSY ALTERNATOR | ALTERNATEUR COMPLET | GRP. WECHSELSTROMDYN. | ~XZ0500 | ~XZ0500 | ~XZ0500 | ~XZ0500 | | |
| 010 | 16678-6401-0 | ASSY ALTERNATOR | ALTERNATEUR COMPLET | GRP. WECHSELSTROMDYN. | YA0001 | YA0001 | YA0001 | YA0001 | | |
| 010 | 16678-6401-2 | ASSY ALTERNATOR | ALTERNATEUR COMPLET | GRP. WECHSELSTROMDYN. | 1S0005 | 1S0005 | 1S0005 | 1S0005 | | # |
| 020 | 15881-6411-0 | PULLEY, DYNAMO | POULIE D'ALTERNATEUR | RIEMENSCHLEIBE, DYNAMO | | | | | | |
| 030 | 15881-9201-0 | NUT | ECROU | MUTTER | 1 | 1 | 1 | 1 | | |
| 040 | 15881-6415-0 | COLLAR | COLLIER | HUELSE | 1 | 1 | 1 | 1 | | |
| 050 | 15881-6404-0 | ROTOR | ROTOR | ROTOR | ~XZ0500 | ~XZ0500 | ~XZ0500 | ~XZ0500 | | |
| 050 | 16678-6404-0 | ASSY ROTOR | ENS. ROTOR | GRP. ROTOR | YA0001 | YA0001 | YA0001 | YA0001 | | # |
| 050 | 66436-6404-0 | ROTOR | ROTOR | ROTOR | 1S0005 | 1S0005 | 1S0005 | 1S0005 | | # |
| 060 | 15881-6480-0 | COVER, BEARING | COUVERCLE | DECKEL | | | | | | |
| 070 | 15881-6477-0 | BEARING, BALL | ROULEMENT A BILLES | KUGELLAGER | ~XZ0500 | ~XZ0500 | ~XZ0500 | ~XZ0500 | | |
| 070 | 16652-6477-0 | BEARING, BALL | ROULEMENT A BILLES | KUGELLAGER | YA0001 | YA0001 | YA0001 | YA0001 | | |
| 080 | 15881-6481-0 | WASHER, THRUST | RONDELLE DE BUTEE | DRUCKSCHEIBE | 1 | 1 | 1 | 1 | | |
| 090 | 15881-6402-0 | FRAME, DRIVE END | BATI | ANTRIEBSRAHMEN | ~XZ0500 | ~XZ0500 | ~XZ0500 | ~XZ0500 | | |
| 090 | 66436-6402-0 | ASSY FRAME, DRIVE END | ENS. BATI ARRIERE | GRP. ANTRIEBSRAHMEN | YA0001 | YA0001 | YA0001 | YA0001 | | |
| 100 | 15881-6471-0 | PLATE, RETAINER | PLAQUE RETENUE | HALTEPLATTE | 1 | 1 | 1 | 1 | | |
| 110 | 15881-9301-0 | SCREW, ROUND HEAD | VIS A TETE RONDE | RUNDKOPFSCHRAUBE | 4 | 4 | 4 | 4 | | |
| 120 | 15881-6426-0 | BOLT, THROUGH | VIS, PASSANT | DURCHGEHENDERBOLZEN | 2 | 2 | 2 | 2 | | |
| 130 | 15881-6478-0 | BEARING, BALL | ROULEMENT A BILLES | KUGELLAGER | ~XZ0500 | ~XZ0500 | ~XZ0500 | ~XZ0500 | | |
| 130 | 16652-6478-0 | BEARING, BALL | ROULEMENT A BILLES | KUGELLAGER | YA0001 | YA0001 | YA0001 | YA0001 | | |
| 140 | 16241-6406-0 | FRAME, END | BATI | RAHMEN | ~1Q7969 | ~1Q7969 | ~1Q7969 | ~1Q7969 | | # |
| 140 | 16231-6406-0 | FRAME, END | BATI | RAHMEN | 1S0005 | 1S0005 | 1S0005 | 1S0005 | | # |
| 150 | 16241-6423-0 | COVER, END | PALIER ARRIERE | DECKEL | ~XZ0500 | ~XZ0500 | ~XZ0500 | ~XZ0500 | | |
| 150 | 16678-6423-0 | COVER, END | PALIER ARRIERE | DECKEL | YA0001 | YA0001 | YA0001 | YA0001 | | |
| 160 | 16241-6485-0 | ASSY RECTIFIER | REDRESSEUR | MONT. GLEICHRICHTER | ~XZ0500 | ~XZ0500 | ~XZ0500 | ~XZ0500 | | |
| 160 | 15881-6485-0 | ASSY RECTIFIER | REDRESSEUR | MONT. GLEICHRICHTER | YA0001 | YA0001 | YA0001 | YA0001 | | |
| 170 | 16241-6490-0 | BUSH, INSULATION | BAGUE ISOLANTE | BUCHSE | ~XZ0500 | ~XZ0500 | ~XZ0500 | ~XZ0500 | | |
| 170 | 15881-6490-0 | BUSH, INSULATION | BAGUE ISOLANTE | BUCHSE | YA0001 | YA0001 | YA0001 | YA0001 | | |
| 180 | 15881-6431-0 | HOLDER, BRUSH | PORTE-BALAI | BUERSTEN HALTER | ~XZ0500 | ~XZ0500 | ~XZ0500 | ~XZ0500 | | |
| 180 | 16652-6431-0 | HOLDER, BRUSH | PORTE-BALAI | BUERSTEN HALTER | YA0001 | YA0001 | YA0001 | YA0001 | | |

040503 STARTER [COMPONENT PARTS]
 DEMARREUR [PARTIES COMPOSANTES]
 ANLASSER [EINZEL-TEIL]
 S. NO. [=431831]

C02-R

REV. JUN. 20 '02



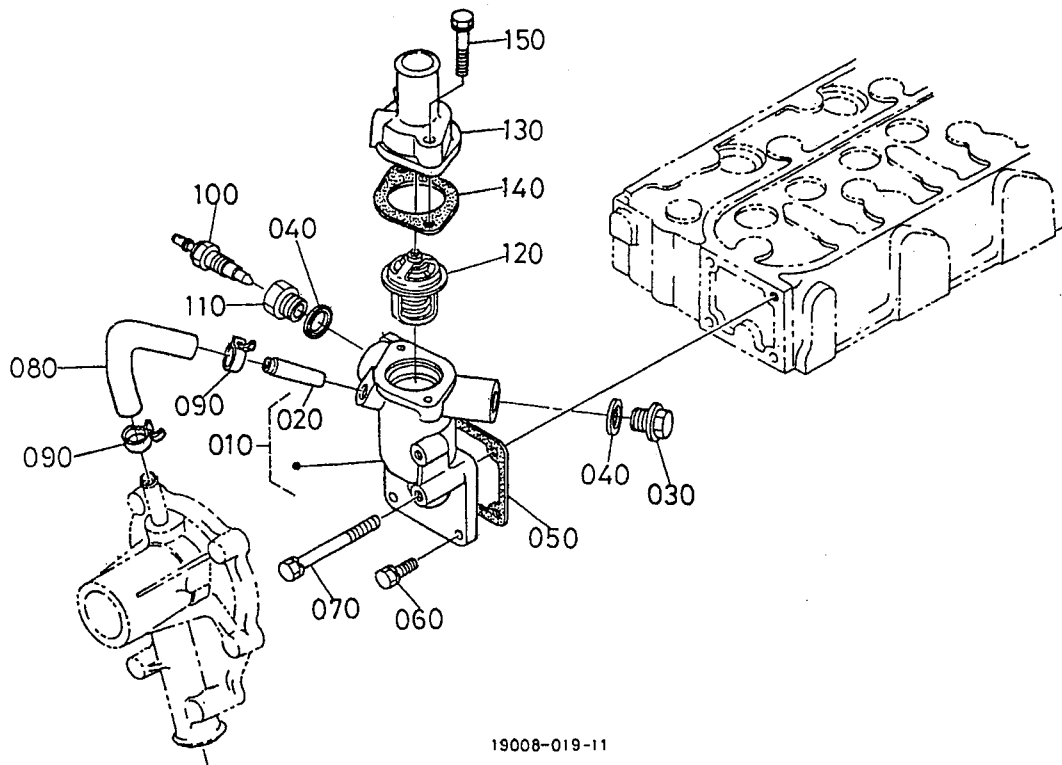
A:V1505-BB(EBB)-EC-1 B:V1505-BB(EBB)-SAE-EC-1 C:V1505-BB(EBB)-EC-STD-3 D:V1505-BBS(EBBS)-EC-1

| REF. No. POS. No. BILD-Nr. | PART No. REFERENCE BESTELL-Nr. | PART NAME | DESIGNATION | BEZEICHNUNG | Q' TY/S. No. Q' TE/No. S. STUECK/S. Nr. | | | | I.C. | REMARKS REMARQUES BEMERKUNGEN |
|----------------------------------|--------------------------------------|-----------------------|---------------------|----------------------|---|---------|---------|---------|------|-------------------------------------|
| | | | | | A | B | C | D | | |
| 010 | 16611-6301-0 | ASSY STARTER | ENS. DEMARREUR | GRP. ANLASSER | | | | | | |
| 020 | 11197-6308-0 | ASSY YOKE | ENS. CHAPE | GRP. GABELGELENK | ~31856 | ~31856 | ~31856 | ~31856 | | |
| 020 | 16661-6308-0 | ASSY YOKE | ENS. CHAPE | GRP. GABELGELENK | 31857~ | 31857~ | 31857~ | 31857~ | | |
| 030 | 11197-6307-0 | ASSY ARMATURE | ENS. ARMATURE | GRP. ARMATUR | 1 | 1 | 1 | 1 | | |
| 040 | 11460-6350-0 | BEARING | ROULEMENT | LAGER | 1 | 1 | 1 | 1 | | |
| 050 | 11460-6353-0 | BEARING | ROULEMENT | LAGER | 1 | 1 | 1 | 1 | | |
| 060 | 16611-6304-0 | CLUTCH, OVER RUNNING | EMBRAYAGE A INERTIE | AUFLAUFKUPPLUNG | 1 | 1 | 1 | 1 | | |
| 070 | 16611-6303-0 | FRAME, DRIVE END | BATI | ANTRIEBSRAHMEN | 1 | 1 | 1 | 1 | | |
| 080 | 16285-6302-0 | ASSY SWITCH, MAGNETIC | SOLENOIDE | GRP. MAGNETSCHALTER | ~WP2119 | ~WP2119 | ~WP2119 | ~WP2119 | | |
| 080 | 16611-6302-0 | ASSY SWITCH, MAGNETIC | SOLENOIDE | GRP. MAGNETSCHALTER | W0001~ | W0001~ | W0001~ | W0001~ | | |
| 090 | 17341-6320-0 | FRAME, END | BATI | RAHMEN | 1 | 1 | 1 | 1 | | |
| 100 | 11197-6338-0 | ASSY HOLDER, BRUSH | ENS. SUPPORT | GRP. BUERSTENHALTER | 1 | 1 | 1 | 1 | | |
| 110 | 15401-6339-0 | SPRING, BRUSH | RESSORT DE BALAI | SCHLEIFBUERSTENFEDER | 4 | 4 | 4 | 4 | | |
| 120 | 11460-6327-0 | GEAR | ENGRENAGE | GETRIEBE | 1 | 1 | 1 | 1 | | |
| 130 | 11460-6311-0 | RETAINER | SUPPORT | HALTESCHEIBE | 1 | 1 | 1 | 1 | | |
| 140 | 19212-6310-0 | ROLLER | ROULEAU | ROLLE | 5 | 5 | 5 | 5 | | |
| 150 | 11460-6312-0 | SPRING | RESSORT | FEDER | 1 | 1 | 1 | 1 | | |
| 160 | 19212-9713-0 | BALL | BILLE | KUGEL | 1 | 1 | 1 | 1 | | |
| 170 | 11460-9331-0 | BOLT | VIS | BOLZEN | 2 | 2 | 2 | 2 | | |
| 180 | 15511-9666-0 | O RING | JOINT TORIQUE | O RING | 2 | 2 | 2 | 2 | | |
| 190 | 11197-6332-0 | BOLT | VIS | BOLZEN | 2 | 2 | 2 | 2 | | |
| 200 | 15511-6376-0 | ASSY BOLT | ENS. VIS | GRP. BOLZEN | 2 | 2 | 2 | 2 | | |
| 210 | 16611-6345-0 | COVER | COUVERCLE | DECKEL | 1 | 1 | 1 | 1 | | |
| 220 | 16611-9202-0 | NUT, HEXAGON | ECROU HEXAGONAL | MUTTER | 1 | 1 | 1 | 1 | | |
| 230 | 16611-6366-0 | CORD, STOP SOLENOID | PRISE DE SOLENOIDE | CABLESTOPSOLENOID | 1 | 1 | 1 | 1 | | |
| 240 | 16285-9201-0 | NUT, HEXAGON | ECROU HEXAGONAL | MUTTER | 1 | 1 | 1 | 1 | | |
| 250 | 16285-6357-0 | PIPE, DRAIN | TUYAU DE DRAINAGE | DRANLEITUNG | 1 | 1 | 1 | 1 | | |
| 260 | 16612-6310-0 | BAND, COVER | BANDE, COUVERCLE | FLACHRIEMEN | 1 | 1 | 1 | 1 | | |
| 270 | 16285-9805-0 | ASSY COVER | ENS. COUVERCLE | GRP. DECKEL | 1 | 1 | 1 | 1 | | # |

050002 WATER FLANGE AND THERMOSTAT
 BRIDE A EAU ET THERMOSTAT
 WASSERFLANSCH UND THERMOSTAT
 S. NO. (=>110327)

C04-L

REV. JUN. 20 '02



19008-019-11

A:V1505-BB(EBB)-EC-1 B:V1505-BB(EBB)-SAE-EC-1 C:V1505-BB(EBB)-EC-STD-3 D:V1505-BBS(EBBS)-EC-1

| REF. No. POS. No. BLD-Nr. | PART No. REFERENCE BESTELL-Nr. | PART NAME | DESIGNATION | BEZEICHNUNG | Q' TY/S. No. Q' TE/No. S. STUECK/S. Nr. | | | | I.C. | REMARKS REMARQUES BEMERKUNGEN |
|---------------------------------|--------------------------------------|----------------------|-----------------------|-----------------------|---|---------|---------|---------|------|-------------------------------------|
| | | | | | A | B | C | D | | |
| 010 | 19008-7270-0 | COMP FLANGE, WATER | ENS. BRIDE A EAU | KOMP. FLANSCH | | | | | | |
| 020 | 16241-7337-0 | PIPE, WATER RETURN | TUYAU RETOUR D'EAU | WASSERROHR | 1 | 1 | 1 | 1 | | |
| 030 | 06311-55030 | PLUG | BOUCHON | STOPFEN | 1 | 1 | 1 | 1 | | |
| 040 | 16261-9671-0 | GASKET | JOINT | DICHTUNGSPLATTE | 2 | 2 | 2 | 2 | | |
| 050 | 16264-7292-0 | GASKET, WATER FLANGE | JOINT DE BRIDE | DICHTUNG | 1 | 1 | 1 | 1 | | |
| 060 | 01023-50616 | BOLT | VIS | BOLZEN | 3 | 3 | 3 | 3 | | |
| 070 | 01023-50655 | BOLT | VIS | BOLZEN | 1 | 1 | 1 | 1 | | |
| 080 | 16241-7335-0 | PIPE, WATER RETURN | TUYAU RETOUR D'EAU | WASSERROHR | 1 | 1 | 1 | 1 | | |
| 090 | 16241-7336-0 | BAND, PIPE | COLLIER DE TUYAU | ROHRBAND | 2 | 2 | 2 | 2 | | |
| 100 | 16222-8304-0 | ASSY THERMOSWITCH | ENS. THERMOINTERRUPT. | GRP. THERMOZUENDSCHA. | 1 | 1 | 1 | 1 | | |
| 110 | 16222-7284-0 | ADAPTER | ADAPTATEUR | ZWISCHENSTUECK | 1 | 1 | 1 | 1 | | |
| 120 | 19434-7301-0 | ASSY THERMOSTAT | THERMOSTAT COMP. | GRP. THERMOSTAT | ~1D1132 | ~1D1132 | ~1D1132 | ~1D1132 | | # |
| 120 | 19434-7301-4 | ASSY THERMOSTAT | THERMOSTAT COMP. | GRP. THERMOSTAT | 1E0001 | 1E0001 | 1E0001 | 1E0001 | | # |
| 130 | 16219-7326-0 | COVER, THERMOSTAT | COUV. DE THERMOSTAT | DECKEL, THERMOSTAT | | | | | | |
| 140 | 15313-7327-0 | GASKET, THERMOSTAT | JOINT | DICHTUNG | ~XX0001 | ~XX0001 | ~XX0001 | ~XX0001 | | # |
| 140 | 16221-7327-0 | GASKET, THERMOSTAT | JOINT | DICHTUNG | XY0001 | XY0001 | XY0001 | XY0001 | | # |
| 150 | 01123-50835 | BOLT | VIS | BOLZEN | 2 | 2 | 2 | 2 | | |

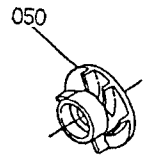
0501

WATER PUMP
POMPE A EAU
WASSERPUMPE

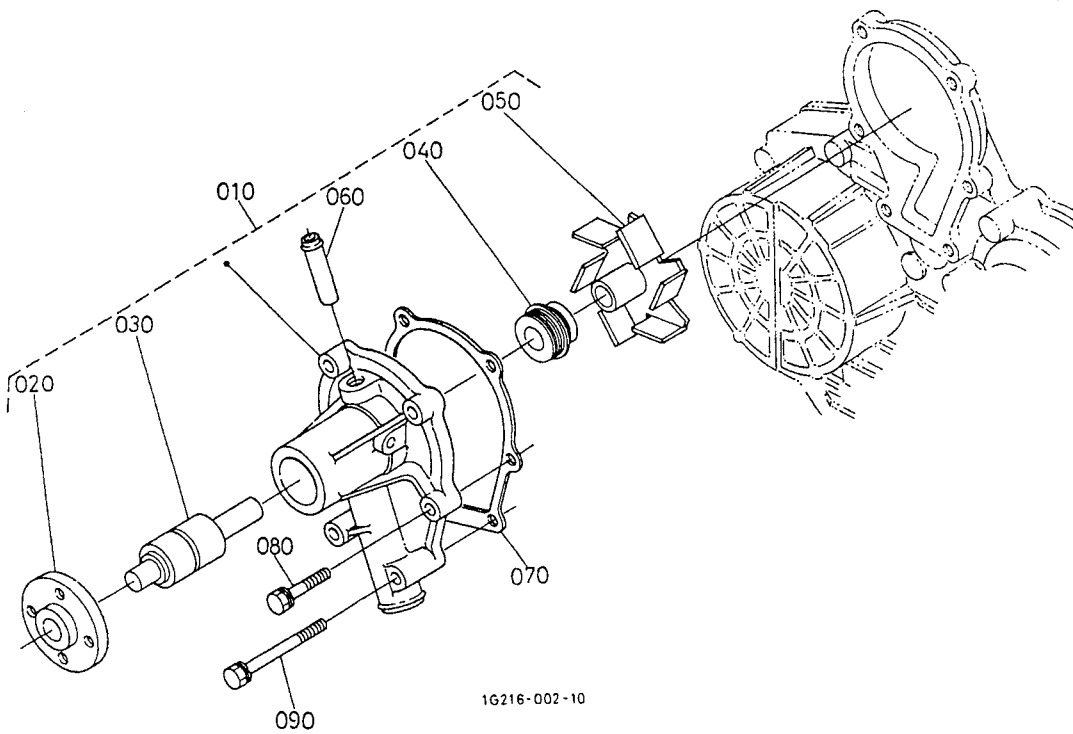
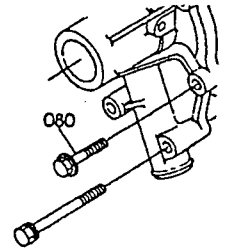
C04-R

REV. JUN. 20 '02

050 16241-7351-0



080 01754-50625



1G216-002-10

1G664-801-10

A:V1505-BB(EBB)-EC-1 B:V1505-BB(EBB)-SAE-EC-1 C:V1505-BB(EBB)-EC-STD-3 D:V1505-BBS(EBBS)-EC-1

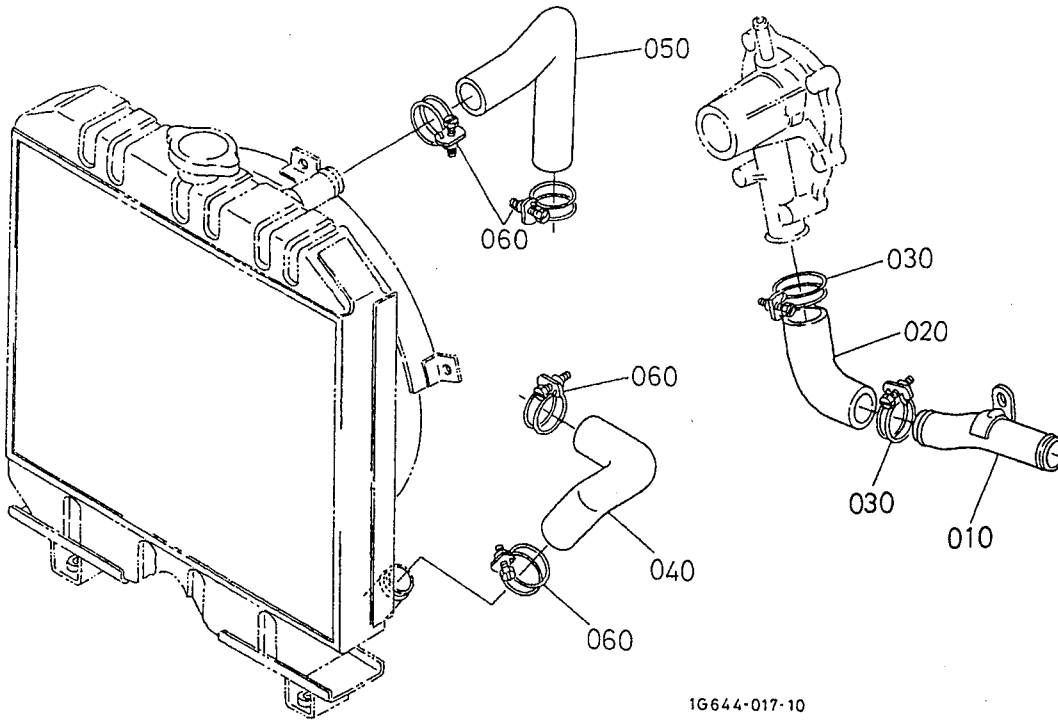
| REF. No. POS. No. BLD-Nr. | PART No. REFERENCE BESTELL-Nr. | PART NAME | DESIGNATION | BEZEICHNUNG | Q' TY/S. No. Q' TE/No. S. STUECK/S. Nr. | | | | I.C. | REMARKS REMARQUES BEMERKUNGEN |
|---------------------------------|--------------------------------------|-----------------------|----------------------|-----------------------|---|---------|---------|---------|------|-------------------------------------|
| | | | | | A | B | C | D | | |
| 010 | 16241-7303-0 | ASSY PUMP, WATER | ENS. POMPE A EAU | GRUPPE WASSERPUMPE | ~586327 | ~586327 | ~586327 | ~586327 | | |
| 010 | 16241-7303-2 | ASSY PUMP, WATER | ENS. POMPE A EAU | GRUPPE WASSERPUMPE | 586328 | 586328 | 586328 | 586328 | | |
| 010 | 16251-7303-2 | ASSY PUMP, WATER | ENS. POMPE A EAU | GRUPPE WASSERPUMPE | 1W0006 | 1W0006 | 1W0006 | 1W0006 | | # |
| 020 | 16241-7352-0 | FLANGE, WATER PUMP | BRIDE DE POMPE A EAU | FLANSCH, PUMPE | ~1U7903 | ~1U7903 | ~1U7903 | ~1U7903 | | # |
| 020 | 16259-7352-0 | FLANGE, WATER PUMP | BRIDE DE POMPE A EAU | FLANSCH, PUMPE | 1W0006 | 1W0006 | 1W0006 | 1W0006 | | # |
| 030 | 16241-7355-0 | BEARING | ROULEMENT | LAGER | ~1U7903 | ~1U7903 | ~1U7903 | ~1U7903 | | # |
| 030 | 16259-7355-2 | BEARING | ROULEMENT | LAGER | 1W0006 | 1W0006 | 1W0006 | 1W0006 | | # |
| 040 | 16241-7305-0 | ASSY SEAL, MECHANICAL | ENS. JOINT MECANIQUE | GRP. MECH. DICHTUNG | ~586327 | ~586327 | ~586327 | ~586327 | | |
| 040 | 16241-7305-2 | ASSY SEAL, MECHANICAL | ENS. JOINT MECANIQUE | GRP. MECH. DICHTUNG | 586328 | 586328 | 586328 | 586328 | | |
| 040 | 1G642-7305-0 | ASSY SEAL, MECHANICAL | ENS. JOINT MECANIQUE | GRP. MECH. DICHTUNG | 1W0006 | 1W0006 | 1W0006 | 1W0006 | | # |
| 050 | 16241-7351-0 | IMPELLER, WATER PUMP | TURBINE DE POMPE | FLUEGELRAD | ~1U7903 | ~1U7903 | ~1U7903 | ~1U7903 | | # |
| 050 | 16259-7351-2 | IMPELLER, WATER PUMP | TURBINE DE POMPE | FLUEGELRAD | 1W0006 | 1W0006 | 1W0006 | 1W0006 | | # |
| 060 | 16241-7334-0 | PIPE, WATER RETURN | TUYAU RETOUR D'EAU | WASSERROHR | | | | | | |
| 070 | 16261-7343-0 | GASKET, WATER PUMP | JOINT DE POMPE A EAU | DICHTUNG, WASSERPUMPE | ~1U7903 | ~1U7903 | ~1U7903 | ~1U7903 | | # |
| 070 | 16239-7343-0 | GASKET, WATER PUMP | JOINT DE POMPE A EAU | DICHTUNG, WASSERPUMPE | 1W0006 | 1W0006 | 1W0006 | 1W0006 | | # |
| 080 | 01023-50630 | BOLT | VIS | BOLZEN | ~WF5452 | ~WF5452 | ~WF5452 | ~WF5452 | | |
| 080 | 01754-50625 | BOLT, FLANGE | VIS DE BUTEE | FLANSCHEN-BOLZEN | WG0001 | WG0001 | WG0001 | WG0001 | | |
| 080 | 01023-50630 | BOLT | VIS | BOLZEN | 1W0006 | 1W0006 | 1W0006 | 1W0006 | | # |
| 090 | 01023-50680 | BOLT | VIS | BOLZEN | ~1U7903 | ~1U7903 | ~1U7903 | ~1U7903 | | # |
| 090 | 01023-50685 | BOLT | VIS | BOLZEN | 1W0006 | 1W0006 | 1W0006 | 1W0006 | | # |

0503

WATER PIPE
TUYAU D'EAU
WASSERROHR

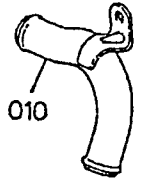
C05-R

REV. JUN. 20 '02

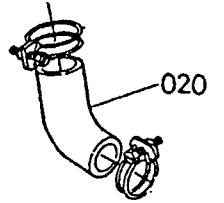


1G644-017-10

010 16285-7286-0



020 16241-7287-0



1G664-802-10

A:V1505-BB(EBB)-EC-1 B:V1505-BB(EBB)-SAE-EC-1 C:V1505-BB(EBB)-EC-STD-3 D:V1505-BBS(EBBS)-EC-1

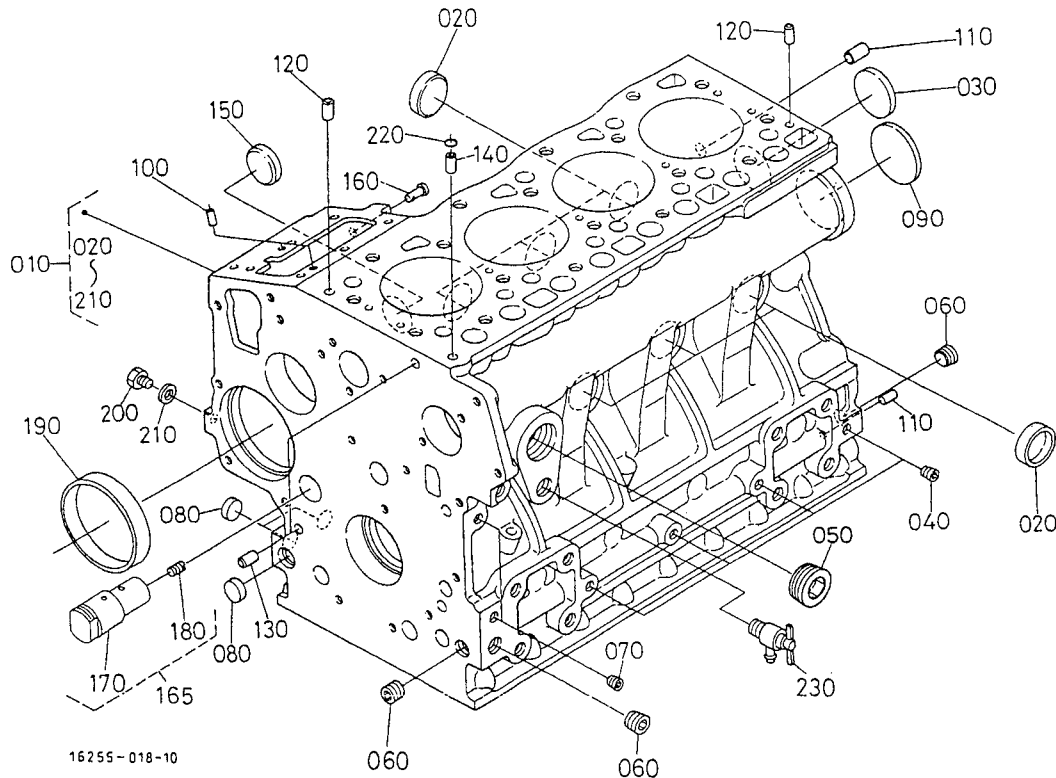
| REF. No. POS. No. BILD-Nr. | PART No. REFERENCE BESTELL-Nr. | PART NAME | DESIGNATION | BEZEICHNUNG | Q' TY/S. No. Q' TE/No. S. STUECK/S. Nr. | | | | I.C. | REMARKS REMARQUES BEMERKUNGEN |
|----------------------------------|--------------------------------------|-------------|-------------------|----------------|---|---------|---------|---------|------|-------------------------------------|
| | | | | | A | B | C | D | | |
| 010 | 16285-7286-0 | PIPE, WATER | TUYAU D'EAU | WASSERROHR | ~276901 | ~276901 | ~276901 | ~276901 | | |
| 010 | 17203-7286-0 | PIPE, WATER | TUYAU D'EAU | WASSERROHR | 276902 | 276902 | 276902 | 276902 | | |
| 020 | 16241-7287-0 | PIPE, WATER | TUYAU D'EAU | WASSERROHR | ~1U7903 | ~1U7903 | ~1U7903 | ~1U7903 | | # |
| 020 | 1G680-7287-0 | PIPE, WATER | TUYAU D'EAU | WASSERROHR | 1W0006 | 1W0006 | 1W0006 | 1W0006 | | # |
| 030 | 36200-8272-0 | CLAMP | ATTACHE | KLAMMER | 2 | 2 | 2 | 2 | | |
| 040 | 16626-7285-0 | HOSE, WATER | TUYAU D'EAU | SCHLAUCH | - | - | - | 1 | | |
| 050 | 16266-7294-0 | PIPE, WATER | TUYAU D'EAU | WASSERROHR | - | - | - | 1 | | |
| 060 | 09318-89039 | CLAMP, HOSE | COLLIER DE DURITE | SCHLAUCHBINDER | - | - | - | 4 | | |

1001

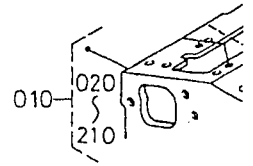
CRANK CASE
BLOC MOTEUR
KURBELGEHAEUSE

C12-L

REV.JUN. 20 '02



010 17558-0101-2



16255-018-10

16285-807-10

A:V1505-BB(EBB)-EC-LT-1 B:V1505-BB(EBB)-EC-LT-STD-3

| REF.No. POS.No. BILD-Nr | PART No. REFERENCE BESTELL-Nr. | PART NAME | DESIGNATION | BEZEICHNUNG | Q' TY/S. No. Q' TE/No. S. STUECK/S. Nr. | | I.C. | REMARKS REMARQUES BEMERKUNGEN |
|-------------------------------|--------------------------------------|---------------------|------------------------|-----------------------|---|---------|------|-------------------------------------|
| | | | | | A | B | | |
| 010 | 17558-0101-2 | COMP. CRANKCASE | BLOC MOTEUR COMPLET | KOMP. KURBELGEHAEUSE | ~YD1625 | ~YD1625 | | |
| 010 | 17558-0101-3 | COMP. CRANKCASE | BLOC MOTEUR COMPLET | KOMP. KURBELGEHAEUSE | YED001 | YED001 | | |
| 010 | 17558-0101-4 | COMP. CRANKCASE | BLOC MOTEUR COMPLET | KOMP. KURBELGEHAEUSE | YL0001 | YL0001 | | # |
| 010 | 17558-0101-5 | COMP. CRANKCASE | BLOC MOTEUR COMPLET | KOMP. KURBELGEHAEUSE | 1G0001 | 1G0001 | | # |
| 020 | 15451-9627-0 | CAP, SEALING | PASTILLE | STEPSSEL, ABDICHTU | 6 | 6 | | |
| 030 | 15221-0349-0 | CAP, SEALING | PASTILLE | STEPSSEL, ABDICHTU | 1 | 1 | | |
| 040 | 15261-9601-0 | PLUG | BOUCHON | STOPFEN | 4 | 4 | | |
| 050 | 16683-9602-0 | PLUG | BOUCHON | STOPFEN | 1 | 1 | | |
| 060 | 16241-9601-0 | PLUG | BOUCHON | STOPFEN | 3 | 3 | | |
| 070 | 15521-9602-0 | PLUG | BOUCHON | STOPFEN | 2 | 2 | | |
| 080 | 17391-9616-0 | PLUG, EXPANSION | BOUCHON EXPANSIBLE | STOEPSSEL, AUSDEHNUNG | 3 | 3 | | |
| 090 | 16271-9616-0 | PLUG, EXPANSION | BOUCHON EXPANSIBLE | STOEPSSEL, AUSDEHNUNG | 1 | 1 | | |
| 100 | 05012-00508 | PIN, STRAIGHT | GOUPILLE CYLINDRIQUE | ZYLINDERSTIFT | ~WT267B | ~WT267B | | |
| 100 | 16225-9451-0 | PIN, STRAIGHT | GOUPILLE CYLINDRIQUE | ZYLINDERSTIFT | WU0001 | WU0001 | | |
| 110 | 05012-00814 | PIN, STRAIGHT | GOUPILLE CYLINDRIQUE | ZYLINDERSTIFT | ~WT267B | ~WT267B | | |
| 110 | 16221-9453-0 | PIN, STRAIGHT | GOUPILLE CYLINDRIQUE | ZYLINDERSTIFT | WU0001 | WU0001 | | |
| 120 | 05012-00610 | PIN, STRAIGHT | GOUPILLE CYLINDRIQUE | ZYLINDERSTIFT | ~WT267B | ~WT267B | | |
| 120 | 16221-9452-0 | PIN, STRAIGHT | GOUPILLE CYLINDRIQUE | ZYLINDERSTIFT | WU0001 | WU0001 | | |
| 130 | 15231-3396-0 | PIN, PIPE | GICLEUR | ROHRSTIFT | 2 | 2 | | |
| 140 | 16241-3365-0 | PIN, PIPE | GICLEUR | ROHRSTIFT | 1 | 1 | | |
| 150 | 16241-9626-2 | PLUG, FUEL CAMSHAFT | BOUCHON | STOPFEN | 1 | 1 | | |
| 160 | 15221-5628-0 | PIN, START SPRING | GOUPILLE DU RESSORT | STARTFEDERSTIFT | ~WT267B | ~WT267B | | |
| 160 | 16221-5628-0 | PIN, START SPRING | GOUPILLE DU RESSORT | STARTFEDERSTIFT | WU0001 | WU0001 | | |
| 165 | 16241-2406-0 | COMP SHAFT, IDLE | COMP. ARBRE D' INTERM. | KOMP. FREILAUFWELLE | 1 | 1 | | |
| 170 | 16241-2426-0 | SHAFT, IDLE GEAR | ARBRE DE PIGNON FOU | WELLE, FREILAUFGETR. | 1 | 1 | | |
| 180 | 15521-9361-0 | SCREW, SET | VIS D' ARRET | ANSCHLAGSCHRAUBE | 1 | 1 | | |
| 190 | 16271-5535-0 | BUSH, GOVERNOR GEAR | BAGUE DE REG. PIGNON | BUCHSE | 1 | 1 | | |
| 200 | 15221-3361-0 | PLUG | BOUCHON | STOPFEN | 1 | 1 | | |
| 210 | 15021-3366-0 | GASKET | JOINT | DICHTUNGSPLETTE | 1 | 1 | | |
| 220 | 15221-3370-0 | O RING | JOINT TORIQUE | O RING | 1 | 1 | | |

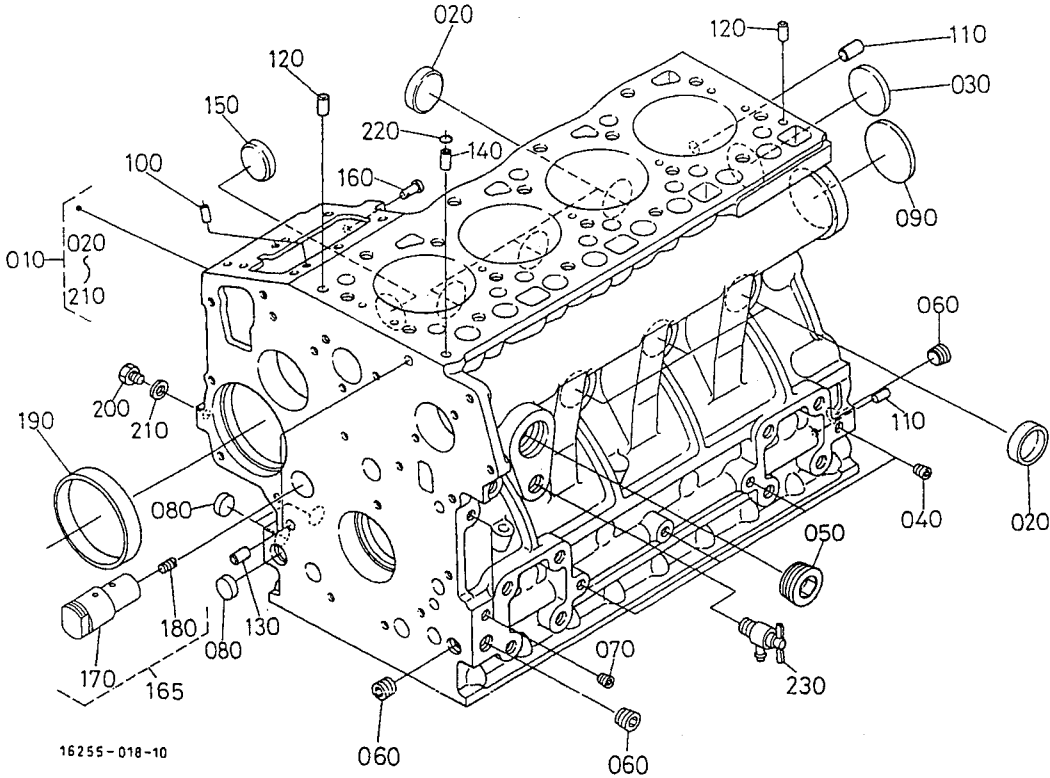
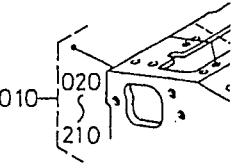
1001

CRANK CASE
 BLOC MOTEUR
 KURBELGEHAEUSE

C12-L1

REV. JUN. 20 '02

010 17558-0101-2



A: V1505-BB (EBB)-EC-LT-1 B: V1505-BB (EBB)-EC-LT-STD-3

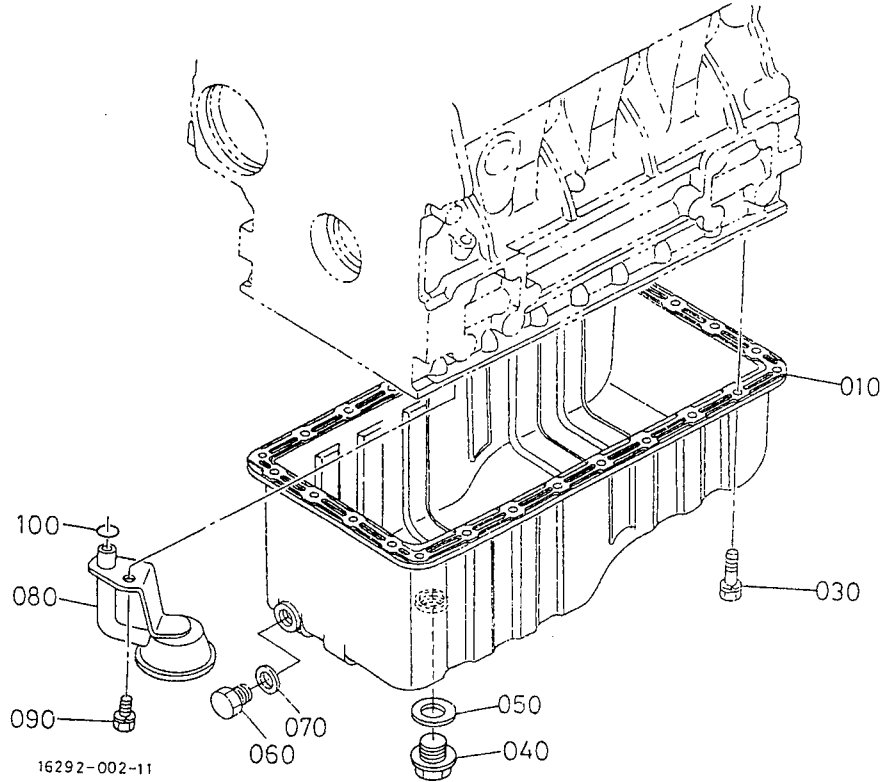
| REF.No. POS.No. BILD-Nr. | PART No. REFERENCE BESTELL-Nr. | PART NAME | DESIGNATION | BEZEICHNUNG | Q'TY/S. No. Q' TE/No. S. STUECK/S. Nr. | | I. C. | REMARKS REMARQUES BEMERKUNGEN |
|--------------------------------|--------------------------------------|------------------|----------------------|----------------|--|---|-------|-------------------------------------|
| | | | | | A | B | | |
| 230 | 15841-7302-0 | ASSY COCK, DRAIN | ENS. ROBINET VIDANGE | GRP. ABLSHHAHN | 1 | 1 | | |
| | | | | | | | | |
| | | | | | | | | |
| | | | | | | | | |
| | | | | | | | | |
| | | | | | | | | |
| | | | | | | | | |
| | | | | | | | | |
| | | | | | | | | |
| | | | | | | | | |
| | | | | | | | | |
| | | | | | | | | |
| | | | | | | | | |
| | | | | | | | | |
| | | | | | | | | |
| | | | | | | | | |
| | | | | | | | | |
| | | | | | | | | |
| | | | | | | | | |
| | | | | | | | | |
| | | | | | | | | |
| | | | | | | | | |

1002

OIL PAN
CARTER D' HUILE
OELWANNE

C12-R

REV.JUN. 20 '02



A:V1505-BB(EBB)-EC-LT-1 B:V1505-BB(EBB)-EC-LT-STD-3

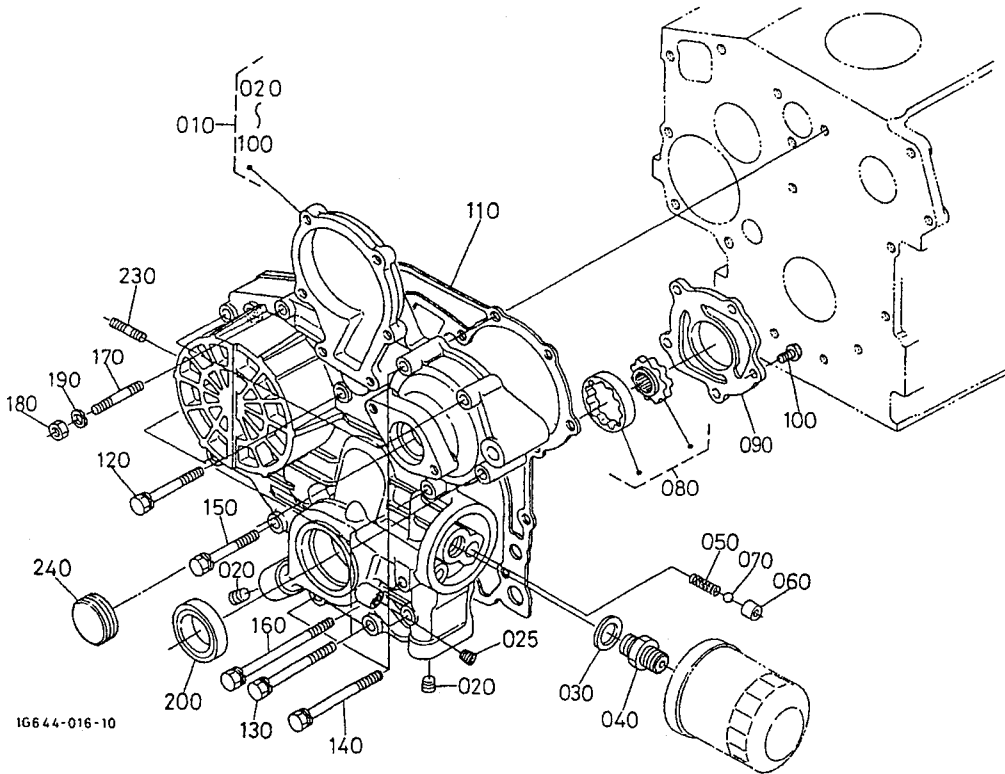
| REF.No. POS.No. BILD-Nr | PART No. REFERENCE BESTELL-Nr. | PART NAME | DESIGNATION | BEZEICHNUNG | Q' TY/S. No. Q' TE/No. S. STUECK/S. Nr. | | I.C. | REMARKS REMARQUES BEMERKUNGEN |
|-------------------------------|--------------------------------------|---------------|-----------------------|--------------------|---|----------|------|-------------------------------------|
| | | | | | A | B | | |
| 010 | 16616-0150-0 | COMP. OIL PAN | CARTER D' HUILE COMP. | KOMP. OELWANNE | 1 | 1 | | |
| 020 | ---- | BLANK | BLANC | LEERE SPALTE | - | - | | |
| 030 | 01023-50612 | BOLT | VIS | BOLZEN | 26 | 26 | | |
| 040 | 15707-3375-0 | PLUG, DRAIN | BOUCHON DE VIDANGE | ENTLEERUNGSSTOPFEN | ~YP0424 | ~YP0424 | | # |
| 040 | 16286-3375-0 | PLUG, DRAIN | BOUCHON DE VIDANGE | ENTLEERUNGSSTOPFEN | YQ0001 | ~YQ0001~ | | # |
| 050 | 15451-9667-0 | GASKET | JOINT | DICHTUNGSPLATTE | 1 | 1 | | |
| 060 | 15221-3375-0 | PLUG | BOUCHON | STOPFEN | 1 | 1 | | |
| 070 | 15109-3366-0 | GASKET | JOINT | DICHTUNGSPLATTE | ~WP2119 | ~WP2119 | | |
| 070 | 6C090-5896-0 | GASKET | JOINT | DICHTUNGSPLATTE | WQ0001 | ~WQ0001~ | | |
| 080 | 16241-3211-4 | FILTER, OIL | FILTRE D' HUILE | OELFILTER | ~XG7689 | ~XG7689 | | |
| 080 | 16226-3211-0 | FILTER, OIL | FILTRE D' HUILE | OELFILTER | XJ0001 | ~XJ0001~ | | |
| 090 | 01123-50816 | BOLT | VIS | BOLZEN | 1 | 1 | | |
| 100 | 04811-00160 | O RING | JOINT TORIQUE | O RING | ~WH4333 | ~WH4333 | | |
| 100 | 04814-00160 | O RING | JOINT TORIQUE | O RING | WJ0001 | ~WJ0001~ | | |
| | | | | | | | | |
| | | | | | | | | |
| | | | | | | | | |
| | | | | | | | | |
| | | | | | | | | |
| | | | | | | | | |
| | | | | | | | | |
| | | | | | | | | |
| | | | | | | | | |
| | | | | | | | | |
| | | | | | | | | |
| | | | | | | | | |
| | | | | | | | | |
| | | | | | | | | |
| | | | | | | | | |
| | | | | | | | | |
| | | | | | | | | |
| | | | | | | | | |
| | | | | | | | | |

1004

GEAR CASE
CARTER DE DISTRIBUTION
GETRIEBEGHAEUSE

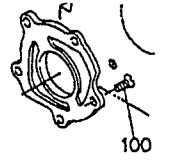
C13-R

REV. JUN. 20 '02

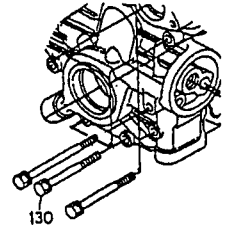


1G644-016-10

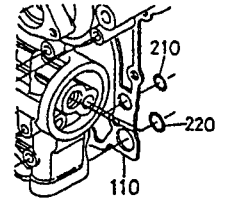
100 16241-9312-0



130 01023-60650



110 16264-0413-0
210 04814-06100
220 04814-00150



1G644-805-10

A:V1505-BB(EBB)-EC-LT-1 B:V1505-BB(EBB)-EC-LT-STD-3

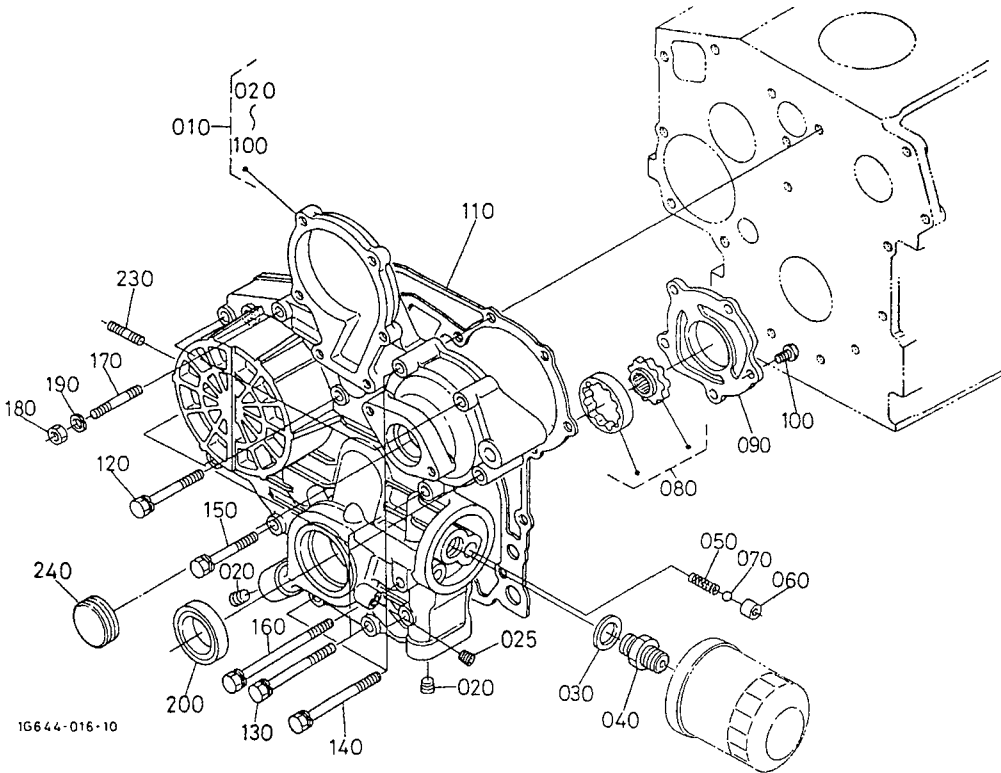
| REF.No. POS.No. BILD-Nr | PART No. REFERENCE BESTELL-Nr. | PART NAME | DESIGNATION | BEZEICHNUNG | Q'TY/S.No. Q'TE/No. S. STUECK/S. Nr. | | I.C. | REMARKS REMARQUES BEMERKUNGEN |
|-------------------------------|--------------------------------------|----------------------|----------------------|----------------------|--|---------|------|-------------------------------------|
| | | | | | A | B | | |
| 010 | 16271-0402-0 | COMP. CASE, GEAR | CARTER DISTR. COMP. | KMP. GETRIEBEGHAEUSE | ~1S7639 | ~1S7639 | 3 | # |
| 010 | 16271-0402-5 | COMP. CASE, GEAR | CARTER DISTR. COMP. | KMP. GETRIEBEGHAEUSE | 1U0007 | 1U0007 | 3 | # |
| 010 | 16251-0402-7 | COMP. CASE, GEAR | CARTER DISTR. COMP. | KMP. GETRIEBEGHAEUSE | 1W0006 | 1W0006 | 3 | # |
| 020 | 16241-9602-0 | PLUG | BOUCHON | STOPFEN | 2 | 2 | | |
| 025 | 15521-9602-0 | PLUG | BOUCHON | STOPFEN | 1W0006 | 1W0006 | | # |
| 030 | 04011-50180 | WASHER, PLAIN | RONDELLE FREIN | SCHEIBE | 1 | 1 | | |
| 040 | 15241-3229-0 | JOINT, PIPE | RACCORD DE TUYAU | VERBINDUNGSTUECK | 1 | 1 | | |
| 050 | 16241-3695-0 | SPRING | RESSORT | FEDER | 1 | 1 | | |
| 060 | 16241-3693-0 | SEAT, VALVE | SIEGE DE SOUPEPE | SITZ, VENTIL | 1 | 1 | | |
| 070 | 07715-00201 | BALL | BILLE | KUGEL | 1 | 1 | | |
| 080 | 16241-3507-0 | ASSY ROTOR, OIL PUMP | ROTOR DE POMPE HUILE | OLFORDERPUMPE LAUFER | 1 | 1 | | |
| 090 | 16241-3513-0 | COVER, OIL PUMP | COUV. POMPE A HUILE | OELPUMPEDECKEL | 1 | 1 | | |
| 090 | 16251-3513-0 | COVER, OIL PUMP | COUV. POMPE A HUILE | OELPUMPEDECKEL | ~1U7903 | ~1U7903 | 3 | # |
| 100 | 16241-9312-0 | SCREW, CSK-HD | VIS | SCHRAUBE | 1W0006 | 1W0006 | 5 | # |
| 100 | 03017-50620 | SCREW, CR-REC-BD-HD | VIS | SCHRAUBE | ~1U7903 | ~1U7903 | 5 | # |
| 110 | 16264-0413-0 | GASKET, GEAR CASE | JOINT | DICHTUNGGETRIEBEGEH. | ~1S7639 | ~1S7639 | 3 | # |
| 110 | 16264-0413-2 | GASKET, GEAR CASE | JOINT | DICHTUNGGETRIEBEGEH. | 1U0007 | 1U0007 | 3 | # |
| 120 | 01023-50645 | BOLT | VIS | BOLZEN | 3 | 3 | | |
| 130 | 01023-60650 | BOLT | VIS | BOLZEN | ~1U7903 | ~1U7903 | 6 | # |
| 130 | 01023-60650 | BOLT | VIS | BOLZEN | 1W0006 | 1W0006 | 4 | # |
| 140 | 01023-50655 | BOLT | VIS | BOLZEN | ~1U7903 | ~1U7903 | 2 | # |
| 140 | 01023-50655 | BOLT | VIS | BOLZEN | 1W0006 | 1W0006 | 4 | # |
| 150 | 15841-9104-0 | BOLT | VIS | BOLZEN | ~1U7903 | ~1U7903 | 1 | # |
| 150 | 01023-50665 | BOLT | VIS | BOLZEN | 1W0006 | 1W0006 | 1 | # |
| 160 | 16241-9104-0 | BOLT | VIS | BOLZEN | 1 | 1 | | |
| 170 | 01513-50645 | BOLT, STUD | GOUJON PRISONNIER | STHEBOLZEN | ~WH4333 | ~WH4333 | 1 | # |
| 170 | 16245-9153-0 | STUD | GOUJON | STHEBOLZEN | WJ0001 | WJ0001 | 1 | # |
| 180 | 02056-50060 | NUT | ECROU | MUTTER | 1 | 1 | | |
| 190 | 04512-60060 | WASHER, SPRING | RONDELLE GROWER | FEDERRING | 1 | 1 | | |
| 200 | 16241-0421-2 | SEAL, OIL | BAGUE JOINT | OELDICHTUNGSRING | 1 | 1 | | |

1004

GEAR CASE
CARTER DE DISTRIBUTION
GETRIEBEGHAEUSE

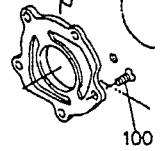
C13-R1

REV. JUN. 20 '02

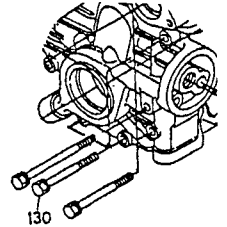


1G644-016-10

100 16241-9312-0



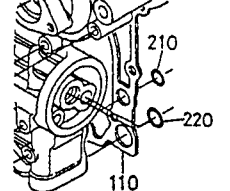
130 01023-60650



110 16264-0413-0

210 04814-06100

220 04814-00150



1G644-805-10

A:V1505-BB(EBB)-EC-LT-1 B:V1505-BB(EBB)-EC-LT-STD-3

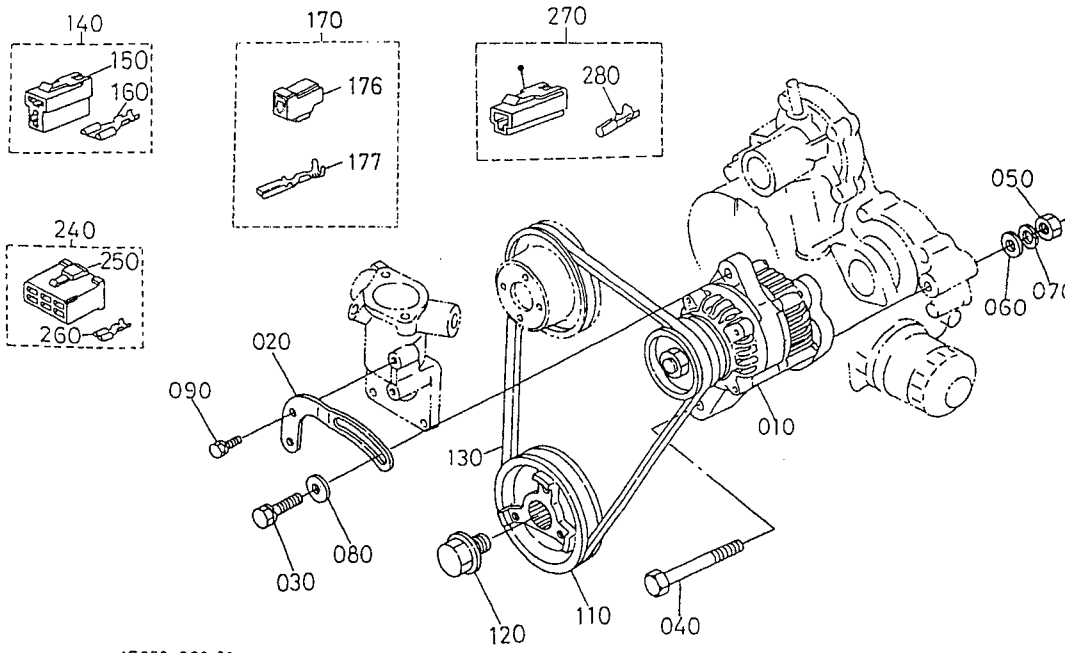
| REF.No. POS.No. BILD-Nr | PART No. REFERENCE BESTELL-Nr. | PART NAME | DESIGNATION | BEZEICHNUNG | Q' TY/S. No. Q' TE/No. S. STUECK/S. Nr. | | I. C. | REMARKS REMARQUES BEMERKUNGEN |
|-------------------------------|--------------------------------------|------------------|----------------------|------------------------|---|---|-------|-------------------------------------|
| | | | | | A | B | | |
| 210 | 04814-06100 | O RING | JOINT TORIQUE | O RING | 2 | 2 | | # |
| 220 | 04814-00150 | O RING | JOINT TORIQUE | O RING | 2 | 2 | | # |
| 230 | 16245-9154-0 | STUD | GOUJON | STEBBOLZEN | 2 | 2 | | |
| 240 | 16264-8334-2 | COVER, GEAR CASE | COUV. CARTER DISTRIB | DECKEL, GETRIEBEGHAEUS | 1 | 1 | | |
| | | | | | | | | |
| | | | | | | | | |
| | | | | | | | | |
| | | | | | | | | |
| | | | | | | | | |
| | | | | | | | | |
| | | | | | | | | |
| | | | | | | | | |
| | | | | | | | | |
| | | | | | | | | |
| | | | | | | | | |
| | | | | | | | | |
| | | | | | | | | |
| | | | | | | | | |
| | | | | | | | | |
| | | | | | | | | |
| | | | | | | | | |
| | | | | | | | | |

1402

ALTERNATOR AND PULLEY
ALTERNATEUR
WECHSELSTROMMASCHINE

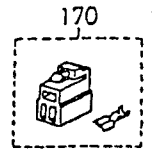
D08-L

REV. JUN. 20 '02

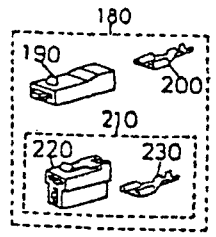


1E058-002-21

170 16259-6583-0



- 180 16239-6583-0
- 190 16239-6588-0
- 200 16239-6577-0
- 210 19838-6583-0
- 220 19872-6588-0
- 230 19237-6591-0



16285-806-10

A:V1505-BB(EBB)-EC-LT-1 B:V1505-BB(EBB)-EC-LT-STD-3

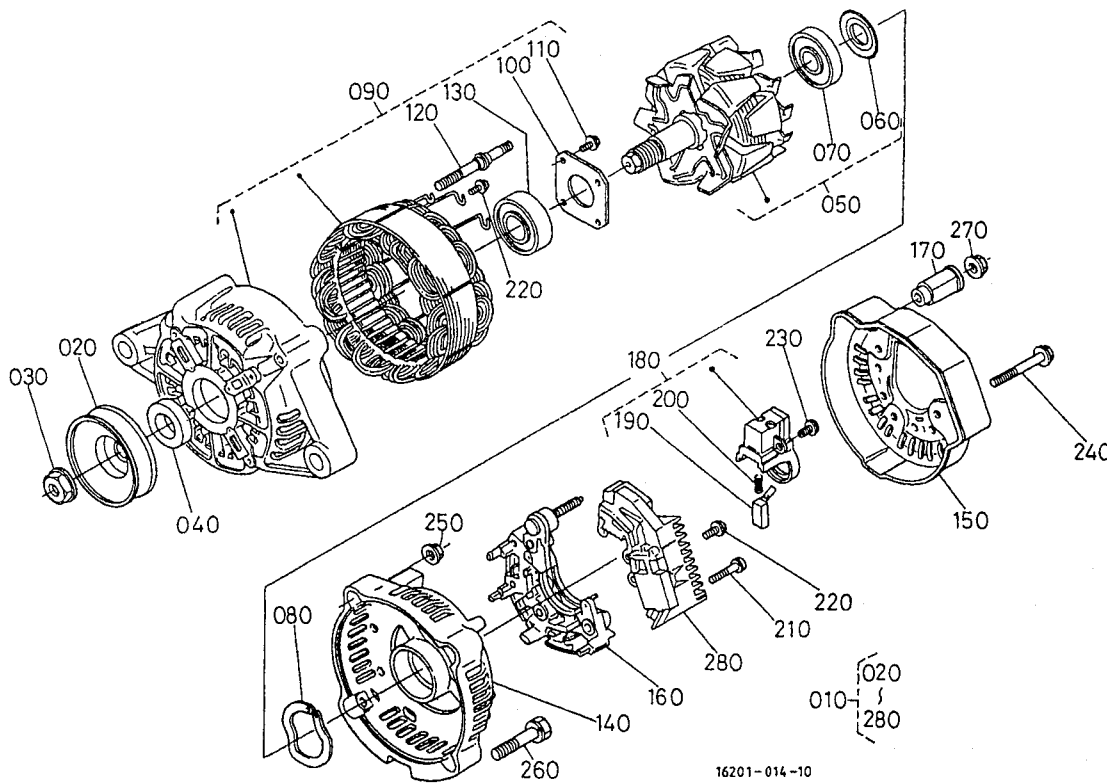
| REF.No. POS.No. BILD-Nr | PART No. REFERENCE BESTELL-Nr. | PART NAME | DESIGNATION | BEZEICHNUNG | Q' TY/S. No. Q' TE/No. S. STUECK/S. Nr. | | I.C. | REMARKS REMARQUES BEMERKUNGEN |
|-------------------------------|--------------------------------------|---------------------|-----------------------|-----------------------|---|---------|------|-------------------------------------|
| | | | | | A | B | | |
| 010 | 16241-6401-0 | ASSY ALTERNATOR | ALTERNATEUR COMPLET | GRP. WECHSELSTROMDYN. | ~XZ0500 | ~XZ0500 | | |
| 010 | 16678-6401-0 | ASSY ALTERNATOR | ALTERNATEUR COMPLET | GRP. WECHSELSTROMDYN. | YA0001 | YA0001 | | |
| 010 | 16678-6401-2 | ASSY ALTERNATOR | ALTERNATEUR COMPLET | GRP. WECHSELSTROMDYN. | 1S0005 | 1S0005 | | |
| 020 | 16241-6442-0 | STAY, DYNAMO | TENDEUR | DYNAMOSTANGE | 1 | 1 | | |
| 030 | 01123-50830 | BOLT | VIS | BOLZEN | 1 | 1 | | |
| 040 | 01173-51085 | BOLT | VIS | BOLZEN | 1 | 1 | | |
| 050 | 02176-50100 | NUT | ECROU | MUTTER | 1 | 1 | | |
| 060 | 04011-50100 | WASHER, PLAIN | RONDELLE FREIN | SCHEIBE | 1 | 1 | | |
| 070 | 04512-60100 | WASHER, SPRING | RONDELLE GROWER | FEDERRING | 1 | 1 | | |
| 080 | 04015-60080 | WASHER, PLAIN | RONDELLE FREIN | SCHEIBE | 1 | 1 | | |
| 090 | 01023-50616 | BOLT | VIS | BOLZEN | 1 | 1 | | |
| 100 | ---- | BLANK | BLANC | LEERE SPALTE | - | - | | |
| 110 | 16249-7428-0 | PULLEY, FAN DRIVE | POULIE ENTRAIN. VENT. | RIEMENSCHIEBE | 1 | 1 | | |
| 120 | 16241-9102-0 | BOLT, FAN DRIVE | VIS | BOLZEN | 1 | 1 | | |
| 130 | 16282-9701-0 | V BELT | COURROIE | RIEMEN | 1 | 1 | | |
| 140 | 19838-6583-0 | ASSY CONNECTOR, 2 | ENS. CONNECTEUR | GRP. ANSCHLUBE | ~XZ0500 | ~XZ0500 | | |
| 140 | 16678-6583-0 | ASSY CONNECTOR, 2 | ENS. CONNECTEUR | GRP. ANSCHLUBE | YA0001 | YA0001 | | |
| 150 | 19872-6588-0 | CONNECTOR | CONNECTEUR | ANSCHLUBE | ~XZ0500 | ~XZ0500 | | |
| 150 | 16631-6584-0 | CONNECTOR | CONNECTEUR | ANSCHLUBE | YA0001 | YA0001 | | |
| 160 | 19237-6591-0 | TERMINAL | DEBORNE | ANSCHLUBKLEMME | 2 | 2 | | |
| 160 | 19237-6591-0 | TERMINAL | DEBORNE | ANSCHLUBKLEMME | 3 | 3 | | |
| 170 | 16259-6583-0 | ASSY COUPLER, LOCK | ENS. COUPLEUR VERROU | GRP. KUPPLERKONTERMU. | ~XG7689 | ~XG7689 | | |
| 170 | 1C010-6583-0 | ASSY COUPLER | ENS. COUPLEUR | GRP. KUPPLER | XJ0001 | XJ0001 | | |
| 176 | 1C010-6588-0 | CONNECTOR | CONNECTEUR | ANSCHLUBE | XJ0001 | XJ0001 | | |
| 177 | 1C010-6591-0 | TERMINAL | DEBORNE | ANSCHLUBKLEMME | 2 | 2 | | |
| 180 | 16239-6583-0 | ASSY COUPLER, RELAY | ENS. COUPLEUR RELAIS | GRP. KUPPLERRELAIS | ~XG7689 | ~XG7689 | | |
| 190 | 16239-6588-0 | CONNECTOR | CONNECTEUR | ANSCHLUBE | ~XG7689 | ~XG7689 | | |
| 200 | 16239-6577-0 | TERMINAL | DEBORNE | ANSCHLUBKLEMME | 2 | 2 | | |
| 210 | 19838-6583-0 | ASSY COUPLER | ENS. COUPLEUR | GRP. KUPPLER | ~XG7689 | ~XG7689 | | |
| 220 | 19872-6588-0 | CONNECTOR | CONNECTEUR | ANSCHLUBE | 1 | 1 | | |

1403

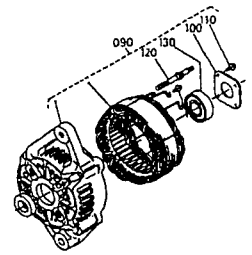
ALTERNATOR [COMPONENT PARTS]
 ALTERNATEUR [PARTIES COMPOSANTES]
 WECHSELSTROMMASCHINE [EINZEL-TEIL]

D08-R

REV. JUN. 20 '02



090 15881-6402-0



16201-014-10

16255-806-10

A:V1505-BB(EBB)-EC-LT-1 B:V1505-BB(EBB)-EC-LT-STD-3

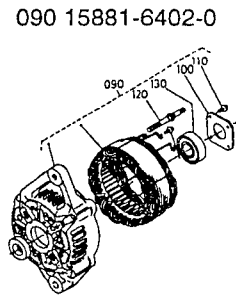
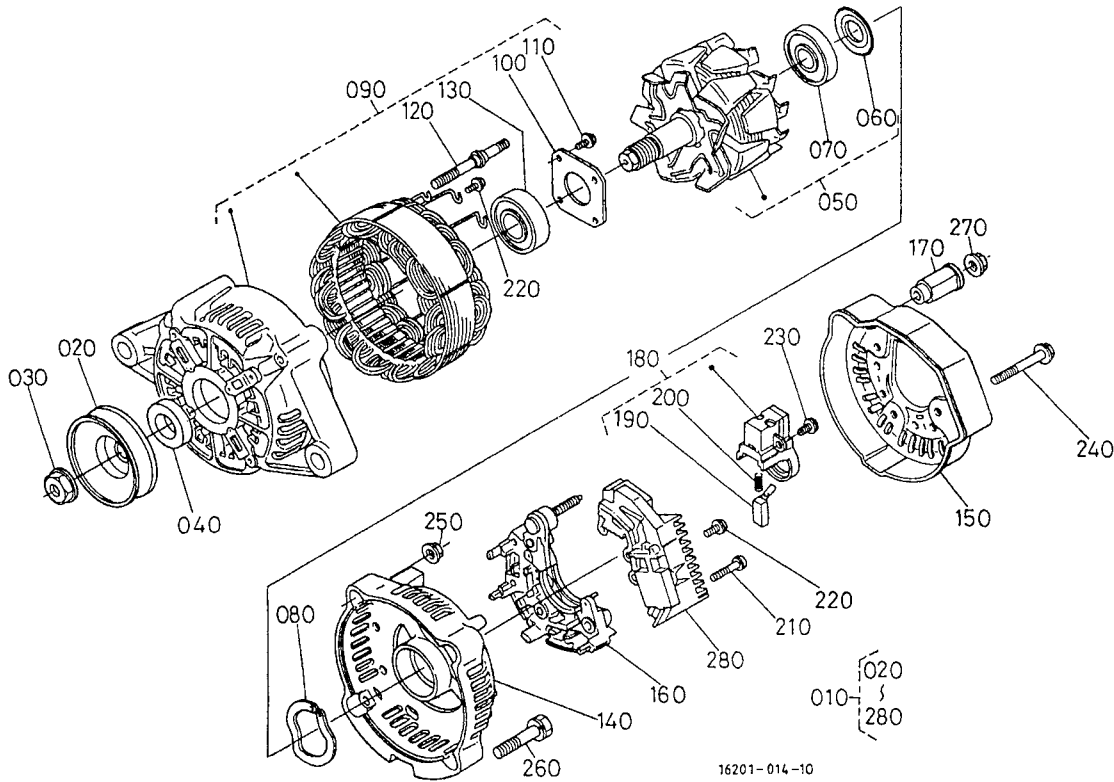
| REF.No. POS.No. BILD-Nr. | PART No. REFERENCE BESTELL-Nr. | PART NAME | DESIGNATION | BEZEICHNUNG | Q'TY/S. No. Q'TE/No. S. STUECK/S. Nr. | | I. C. | REMARKS REMARQUES BEMERKUNGEN |
|--------------------------------|--------------------------------------|-----------------------|----------------------|------------------------|---|---------|-------|-------------------------------------|
| | | | | | A | B | | |
| 010 | 16241-6401-0 | ASSY ALTERNATOR | ALTERNATEUR COMPLET | GRP. WECHSELSTROMDYN. | ~XZ0500 | ~XZ0500 | | |
| 010 | 16678-6401-0 | ASSY ALTERNATOR | ALTERNATEUR COMPLET | GRP. WECHSELSTROMDYN. | YA0001 | YA0001 | | |
| 010 | 16678-6401-2 | ASSY ALTERNATOR | ALTERNATEUR COMPLET | GRP. WECHSELSTROMDYN. | 1S0005 | 1S0005 | | # |
| 020 | 15881-6411-0 | PULLEY, DYNAMO | POULIE D'ALTERNATEUR | RIEMENSCHLEIBE, DYNAMO | 1 | 1 | | |
| 030 | 15881-9201-0 | NUT | ECROU | MUTTER | 1 | 1 | | |
| 040 | 15881-6415-0 | COLLAR | COLLIER | HUELSE | 1 | 1 | | |
| 050 | 15881-6404-0 | ROTOR | ROTOR | ROTOR | ~XZ0500 | ~XZ0500 | | |
| 050 | 16678-6404-0 | ASSY ROTOR | ENS. ROTOR | GRP. ROTOR | YA0001 | YA0001 | | # |
| 050 | 66436-6404-0 | ROTOR | ROTOR | ROTOR | 1S0005 | 1S0005 | | # |
| 060 | 15881-6480-0 | COVER, BEARING | COUVERCLE | DECKEL | 1 | 1 | | |
| 070 | 15881-6477-0 | BEARING, BALL | ROULEMENT A BILLES | KUGELLAGER | ~XZ0500 | ~XZ0500 | | |
| 070 | 16652-6477-0 | BEARING, BALL | ROULEMENT A BILLES | KUGELLAGER | YA0001 | YA0001 | | |
| 080 | 15881-6481-0 | WASHER, THRUST | RONDILLE DE BUTEE | DRUCKSCHEIBE | 1 | 1 | | |
| 090 | 15881-6402-0 | FRAME, DRIVE END | BATI | ANTRIEBSRAHMEN | ~XZ0500 | ~XZ0500 | | |
| 090 | 66436-6402-0 | ASSY FRAME, DRIVE END | ENS. BATI ARRIERE | GRP. ANTRIEBSRAHMEN | YA0001 | YA0001 | | |
| 100 | 15881-6471-0 | PLATE, RETAINER | PLAQUE RETENUE | HALTEPLATTE | 1 | 1 | | |
| 110 | 15881-9301-0 | SCREW, ROUND HEAD | VIS A TETE RONDE | RUNDKOPFSCHRAUBE | 4 | 4 | | |
| 120 | 15881-6426-0 | BOLT, THROUGH | VIS, PASSANT | DURCHGEHENDERBOLZEN | 2 | 2 | | |
| 130 | 15881-6478-0 | BEARING, BALL | ROULEMENT A BILLES | KUGELLAGER | ~XZ0500 | ~XZ0500 | | |
| 130 | 16652-6478-0 | BEARING, BALL | ROULEMENT A BILLES | KUGELLAGER | YA0001 | YA0001 | | |
| 140 | 16241-6406-0 | FRAME, END | BATI | RAHMEN | ~1Q7969 | ~1Q7969 | | # |
| 140 | 16231-6406-0 | FRAME, END | BATI | RAHMEN | 1S0005 | 1S0005 | | # |
| 150 | 16241-6423-0 | COVER, END | PALIER ARRIERE | DECKEL | ~XZ0500 | ~XZ0500 | | |
| 150 | 16678-6423-0 | COVER, END | PALIER ARRIERE | DECKEL | YA0001 | YA0001 | | |
| 160 | 16241-6485-0 | ASSY RECTIFIER | REDRESSEUR | MONT. GLEICHRICHTER | ~XZ0500 | ~XZ0500 | | |
| 160 | 16678-6485-0 | ASSY RECTIFIER | REDRESSEUR | MONT. GLEICHRICHTER | YA0001 | YA0001 | | # |
| 160 | 15881-6485-0 | ASSY RECTIFIER | REDRESSEUR | MONT. GLEICHRICHTER | 1S0005 | 1S0005 | | # |
| 170 | 16241-6490-0 | BUSH, INSULATION | BAGUE ISOLANTE | BUCHSE | ~XZ0500 | ~XZ0500 | | |
| 170 | 15881-6490-0 | BUSH, INSULATION | BAGUE ISOLANTE | BUCHSE | YA0001 | YA0001 | | |

1403

ALTERNATOR [COMPONENT PARTS]
 ALTERNATEUR [PARTIES COMPOSANTES]
 WECHSELSTROMMASCHINE [EINZEL-TEIL]

D08-R1

REV. JUN. 20 '02



16201-014-10

16255-806-10

A:V1505-BB(EBB)-EC-LT-1 B:V1505-BB(EBB)-EC-LT-STD-3

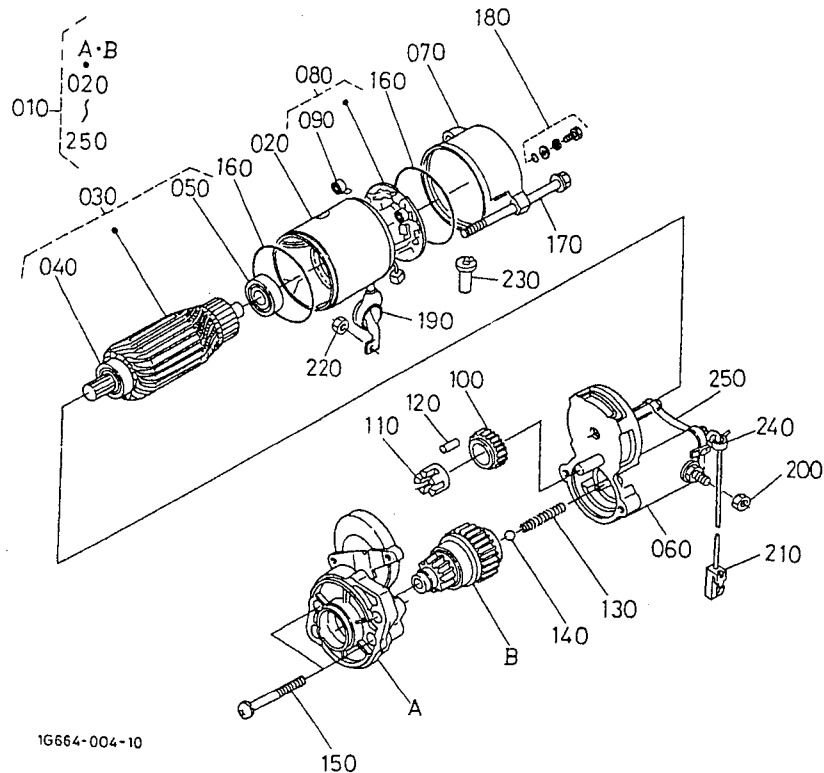
| REF.No. POS.No. BILD-Nr | PART No. REFERENCE BESTELL-Nr. | PART NAME | DESIGNATION | BEZEICHNUNG | Q'TY/S, No. Q'TE/No. S. STUECK/S. Nr. | | I. C. | REMARKS REMARQUES BEMERKUNGEN |
|-------------------------------|--------------------------------------|-------------------|------------------|----------------------|---|---------|-------|-------------------------------------|
| | | | | | A | B | | |
| 180 | 15881-6431-0 | HOLDER, BRUSH | PORTE-BALAI | BUERSTEN HALTER | ~XZ0500 | ~XZ0500 | 3 | |
| 180 | 16652-6431-0 | HOLDER, BRUSH | PORTE-BALAI | BUERSTEN HALTER | 1 | 1 | | |
| 190 | 15881-6409-0 | BRUSH | PATTE D'ATTACHE | BUERSTE | 2 | 2 | | |
| 200 | 15881-6433-0 | SPRING, BRUSH | RESSORT DE BALAI | SCHLEIFBUERSTENFEDER | 2 | 2 | | |
| 210 | 15881-9302-0 | SCREW, ROUND HEAD | VIS A TETE RONDE | RUNDKOPFSCHRAUBE | 2 | 2 | | |
| 220 | 15881-9303-0 | SCREW, ROUND HEAD | VIS A TETE RONDE | RUNDKOPFSCHRAUBE | 6 | 6 | | |
| 230 | 15881-9304-0 | SCREW, ROUND HEAD | VIS A TETE RONDE | RUNDKOPFSCHRAUBE | 1 | 1 | | |
| 240 | 15881-9104-0 | BOLT | VIS | BOLZEN | 3 | 3 | | |
| 250 | 15881-9202-0 | NUT | ECROU | MUTTER | 2 | 2 | | |
| 260 | 15881-9105-0 | BOLT | VIS | BOLZEN | 2 | 2 | | |
| 270 | 14182-9203-0 | NUT | ECROU | MUTTER | 1 | 1 | | |
| 280 | 15881-6460-0 | ASSY REGULATOR | REGULATEUR | REGULATOR | ~XZ0500 | ~XZ0500 | 3 | |
| 280 | 16652-6460-0 | ASSY REGULATOR | REGULATEUR | REGULATOR | 1 | 1 | | |
| | | | | | YA0001 | YA0001 | | |

1405

STARTER [COMPONENT PARTS]
 DEMARREUR [PARTIES COMPOSANTES]
 ANLASSER [EINZEL-TEIL]

D09-R

REV. JUN. 20 '02



A:V1505-BB(EBB)-EC-LT-1 B:V1505-BB(EBB)-EC-LT-STD-3

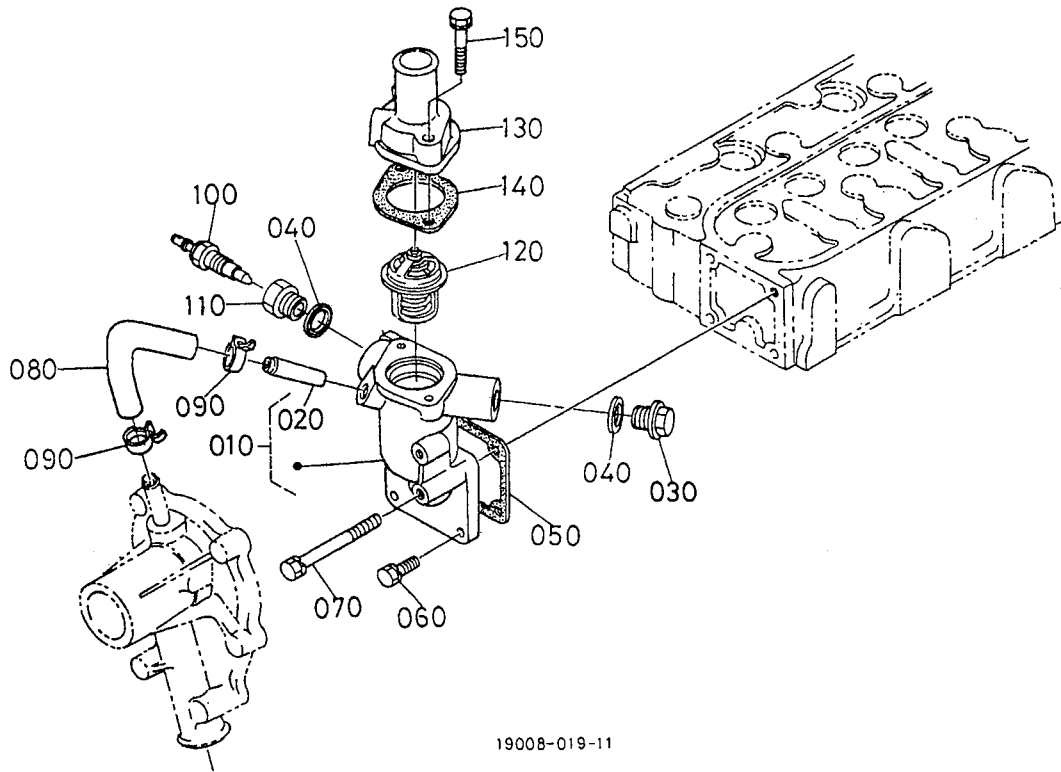
| REF.No. POS.No. BILD-Nr. | PART No. REFERENCE BESTELL-Nr. | PART NAME | DESIGNATION | BEZEICHNUNG | Q'TY/S. No. Q'TE/No. S. STUECK/S. Nr. | | I.C. | REMARKS REMARQUES BEMERKUNGEN |
|--------------------------------|--------------------------------------|-----------------------|--------------------|----------------------|---|---------|------|-------------------------------------|
| | | | | | A | B | | |
| 010 | 16235-6301-0 | ASSY STARTER | ENS. DEMARREUR | GRP. ANLASSER | 1 | 1 | | |
| 020 | 16661-6308-0 | ASSY YOKE | ENS. CHAPE | GRP. GABELGELENK | 1 | 1 | | |
| 030 | 11197-6307-0 | ASSY ARMATURE | ENS. ARMATURE | GRP. ARMATUR | 1 | 1 | | |
| 040 | 11460-6350-0 | BEARING | ROULEMENT | LAGER | 1 | 1 | | |
| 050 | 11460-6353-0 | BEARING | ROULEMENT | LAGER | 1 | 1 | | |
| 060 | 37560-6302-0 | ASSY SWITCH, MAGNETIC | SOLENOIDE | GRP. MAGNETSCHALTER | 1 | 1 | | |
| 060 | 16611-6302-0 | ASSY SWITCH, MAGNETIC | SOLENOIDE | GRP. MAGNETSCHALTER | ~WP2119 | ~WP2119 | | |
| 070 | 17341-6320-0 | FRAME, END | BATI | RAHMEN | W00001 | W00001 | | |
| 080 | 11197-6338-0 | ASSY HOLDER, BRUSH | ENS. SUPPORT | GRP. BUERSTENHALTER | 1 | 1 | | |
| 090 | 15401-6339-0 | SPRING, BRUSH | RESSORT DE BALAI | SCHLEIFBUERSTENFEDER | 4 | 4 | | |
| 100 | 11460-6327-0 | GEAR | ENGRENAGE | GETRIEBE | 1 | 1 | | |
| 110 | 11460-6311-0 | RETAINER | SUPPORT | HALTESCHEIBE | 1 | 1 | | |
| 120 | 19212-6310-0 | ROLLER | ROULEAU | ROLLE | 5 | 5 | | |
| 130 | 11460-6312-0 | SPRING | RESSORT | FEDER | 1 | 1 | | |
| 140 | 19212-9713-0 | BALL | BILLE | KUGEL | 1 | 1 | | |
| 150 | 11460-9331-0 | BOLT | VIS | BOLZEN | 2 | 2 | | |
| 160 | 15511-9666-0 | O RING | JOINT TORIQUE | O RING | 2 | 2 | | |
| 170 | 11197-6332-0 | BOLT | VIS | BOLZEN | 2 | 2 | | |
| 180 | 15511-6376-0 | ASSY BOLT | ENS. VIS | GRP. BOLZEN | 2 | 2 | | |
| 190 | 16611-6345-0 | COVER | COUVERCLE | DECKEL | 1 | 1 | | |
| 200 | 16611-9202-0 | NUT, HEXAGON | ECROU HEXAGONAL | MUTTER | 1 | 1 | | |
| 200 | 13963-9201-0 | NUT, HEXAGON | ECROU HEXAGONAL | MUTTER | ~WP2119 | ~WP2119 | | |
| 210 | 16611-6366-0 | CORD, STOP SOLENOID | PRISE DE SOLENOIDE | CABLESTOPSOLENOID | W00001 | W00001 | | |
| 220 | 16285-9201-0 | NUT, HEXAGON | ECROU HEXAGONAL | MUTTER | 1 | 1 | | |
| 230 | 16285-6357-0 | PIPE, DRAIN | TUYAU DE DRAINAGE | DRANLEITUNG | 1 | 1 | | |
| 240 | 16612-6310-0 | BAND, COVER | BANDE, COUVERCLE | FLACHRIEMEN | 1 | 1 | | |
| 250 | 16285-9805-0 | ASSY COVER | ENS. COUVERCLE | GRP. DECKEL | 1 | 1 | | # |

1500

WATER FLANGE AND THERMOSTAT
 BRIDE A EAU ET THERMOSTAT
 WASSERFLANSCH UND THERMOSTAT

D10-R

REV.JUN. 20 '02



A:V1505-BB(EBB)-EC-LT-1 B:V1505-BB(EBB)-EC-LT-STD-3

| REF.No. POS.No. BILD-Nr. | PART No. REFERENCE BESTELL-Nr. | PART NAME | DESIGNATION | BEZEICHNUNG | Q' TY/S. No. Q' TE/No. S. STUECK/S. Nr. | | I.C. | REMARKS REMARQUES BEMERKUNGEN |
|--------------------------------|--------------------------------------|----------------------|-----------------------|-----------------------|---|---------|------|-------------------------------------|
| | | | | | A | B | | |
| 010 | 19008-7270-0 | COMP FLANGE, WATER | ENS. BRIDE A EAU | KOMP. FLANSCH | 1 | 1 | | |
| 020 | 16241-7337-0 | PIPE, WATER RETURN | TUYAU RETOUR D'EAU | WASSERROHR | 1 | 1 | | |
| 030 | 06311-55030 | PLUG | BOUCHON | STOPFEN | 1 | 1 | | |
| 040 | 16261-9671-0 | GASKET | JOINT | DICHTUNGSPLATTE | 2 | 2 | | |
| 050 | 16264-7292-0 | GASKET, WATER FLANGE | JOINT DE BRIDE | DICHTUNG | 1 | 1 | | |
| 060 | 01023-50616 | BOLT | VIS | BOLZEN | 3 | 3 | | |
| 070 | 01023-50655 | BOLT | VIS | BOLZEN | 1 | 1 | | |
| 080 | 16241-7335-0 | PIPE, WATER RETURN | TUYAU RETOUR D'EAU | WASSERROHR | 1 | 1 | | |
| 090 | 16241-7336-0 | BAND, PIPE | COLLIER DE TUYAU | ROHRBAND | 2 | 2 | | |
| 100 | 16222-8304-0 | ASSY THERMOSWITCH | ENS. THERMOINTERRUPT. | GRP. THERMOZUENDSCHA. | 1 | 1 | | |
| 110 | 16222-7284-0 | ADAPTER | ADAPTATEUR | ZWISCHENSTUECK | 1 | 1 | | |
| 120 | 19434-7301-0 | ASSY THERMOSTAT | THERMOSTAT COMP. | GRP. THERMOSTAT | ~1D1132 | ~1D1132 | | # |
| 120 | 19434-7301-4 | ASSY THERMOSTAT | THERMOSTAT COMP. | GRP. THERMOSTAT | 1E0001 | ~1E0001 | | # |
| 130 | 16219-7326-0 | COVER, THERMOSTAT | COUV. DE THERMOSTAT | DECKEL, THERMOSTAT | 1 | 1 | | |
| 140 | 1A021-7327-0 | GASKET, THERMOSTAT | JOINT | DICHTUNG | ~XX0001 | ~XX0001 | | # |
| 140 | 16221-7327-0 | GASKET, THERMOSTAT | JOINT | DICHTUNG | 1 | 1 | | |
| 150 | 01123-50835 | BOLT | VIS | BOLZEN | XY0001 | ~XY0001 | | |
| | | | | | 2 | 2 | | |

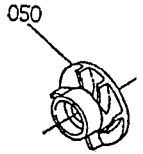
1501

WATER PUMP
POMPE A EAU
WASSERPUMPE

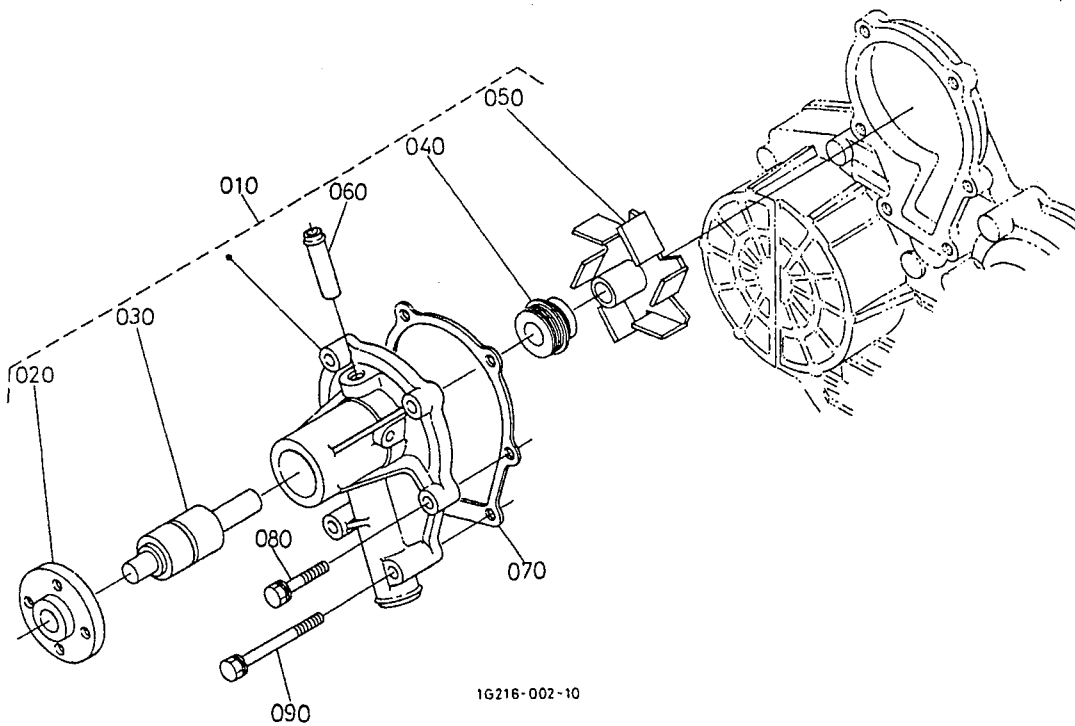
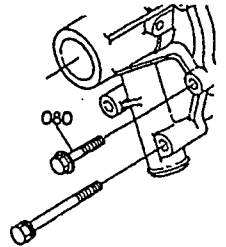
D11-L

REV. JUN. 20 '02

050 16241-7351-0



080 01754-50625



1G216-002-10

1G664-801-10

A:V1505-BB(EBB)-EC-LT-1 B:V1505-BB(EBB)-EC-LT-STD-3

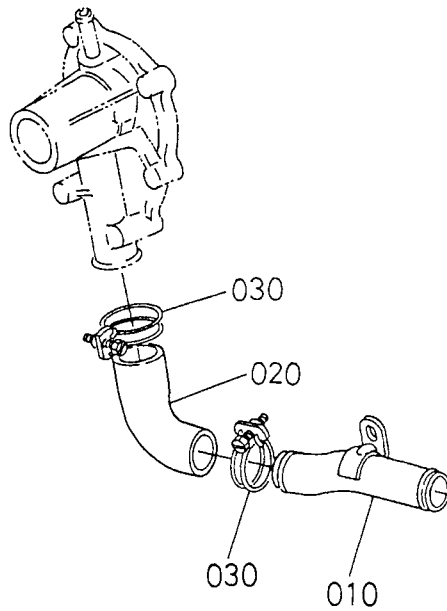
| REF.No. POS.No. BILD-Nr | PART No. REFERENCE BESTELL-Nr. | PART NAME | DESIGNATION | BEZEICHNUNG | Q' TY/S. No. Q' TE/No. S. STUECK/S. Nr. | | I. C. | REMARKS REMARQUES BEMERKUNGEN |
|-------------------------------|--------------------------------------|-----------------------|----------------------|-----------------------|---|---------|-------|-------------------------------------|
| | | | | | A | B | | |
| 010 | 16241-7303-2 | ASSY PUMP, WATER | ENS. POMPE A EAU | GRUPPE WASSERPUMPE | ~1U7903 | ~1U7903 | # | |
| 010 | 16251-7303-4 | ASSY PUMP, WATER | ENS. POMPE A EAU | GRUPPE WASSERPUMPE | 1W0006 | 1W0006 | # | |
| 020 | 16241-7352-0 | FLANGE, WATER PUMP | BRIDE DE POMPE A EAU | FLANSCH, PUMPE | ~1U7903 | ~1U7903 | # | |
| 020 | 16259-7352-0 | FLANGE, WATER PUMP | BRIDE DE POMPE A EAU | FLANSCH, PUMPE | 1W0006 | 1W0006 | # | |
| 030 | 16241-7355-0 | BEARING | ROULEMENT | LAGER | ~1U7903 | ~1U7903 | # | |
| 030 | 16259-7355-2 | BEARING | ROULEMENT | LAGER | 1W0006 | 1W0006 | # | |
| 040 | 16241-7305-2 | ASSY SEAL, MECHANICAL | ENS. JOINT MECANIQUE | GRP. MECH. DICHTUNG | ~1U7903 | ~1U7903 | # | |
| 040 | 1G642-7305-0 | ASSY SEAL, MECHANICAL | ENS. JOINT MECANIQUE | GRP. MECH. DICHTUNG | 1W0006 | 1W0006 | # | |
| 050 | 16241-7351-0 | IMPELLER, WATER PUMP | TURBINE DE POMPE | FLUEGELRAD | ~1U7903 | ~1U7903 | # | |
| 050 | 16259-7351-2 | IMPELLER, WATER PUMP | TURBINE DE POMPE | FLUEGELRAD | 1W0006 | 1W0006 | # | |
| 060 | 16241-7334-0 | PIPE, WATER RETURN | TUYAU RETOUR D'EAU | WASSERROHR | 1 | 1 | | |
| 070 | 16261-7343-0 | GASKET, WATER PUMP | JOINT DE POMPE A EAU | DICHTUNG, WASSERPUMPE | ~1U7903 | ~1U7903 | # | |
| 070 | 16239-7343-0 | GASKET, WATER PUMP | JOINT DE POMPE A EAU | DICHTUNG, WASSERPUMPE | 1W0006 | 1W0006 | # | |
| 080 | 01023-50630 | BOLT | VIS | BOLZEN | ~WFS452 | ~WFS452 | # | |
| 080 | 01754-50625 | BOLT, FLANGE | VIS DE BUTEE | FLANSCHEN-BOLZEN | WG0001 | WG0001 | # | |
| 080 | 01023-50630 | BOLT | VIS | BOLZEN | 1W0006 | 1W0006 | # | |
| 090 | 01023-50680 | BOLT | VIS | BOLZEN | ~1U7903 | ~1U7903 | # | |
| 090 | 01023-50685 | BOLT | VIS | BOLZEN | 1W0006 | 1W0006 | # | |

1503

WATER PIPE
 TUYAU D'EAU
 WASSERROHR

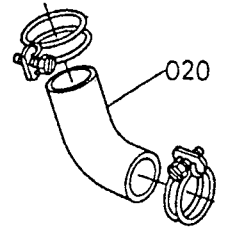
D11-R

REV.JUN. 20 '02



1G644-019-10

020 16241-7287-0



1G216-804-10

A:V1505-BB(EBB)-EC-LT-1 B:V1505-BB(EBB)-EC-LT-STD-3

| REF.No. POS.No. BILD-Nr | PART No. REFERENCE BESTELL-Nr. | PART NAME | DESIGNATION | BEZEICHNUNG | Q' TY/S, No. Q' TE/No, S. STUECK/S, Nr. | | I. C. | REMARKS REMARQUES BEMERKUNGEN |
|-------------------------------|--------------------------------------|-------------|-------------|-------------|---|---------|-------|-------------------------------------|
| | | | | | A | B | | |
| 010 | 17203-7286-0 | PIPE, WATER | TUYAU D'EAU | WASSERROHR | 1 | 1 | | |
| 020 | 16241-7287-0 | PIPE, WATER | TUYAU D'EAU | WASSERROHR | 1 | 1 | | |
| 020 | 1G680-7287-0 | PIPE, WATER | TUYAU D'EAU | WASSERROHR | ~1U7903 | ~1U7903 | 3 | # |
| 030 | 36200-8272-0 | CLAMP | ATTACHE | KLAMMER | 1W0006 | 1W0006 | 2 | # |
| | | | | | | | | |